

WALKIE REACH TRUCK

 **TOYOTA**
INDUSTRIAL EQUIPMENT
REACH NEW HEIGHTS

EFFICIENCY, WITHIN REACH

- ▶ 3000 lb. Capacity
- ▶ Programmable Drive System
- ▶ Up to 189 in. Lift Height
- ▶ Fits 8 ft. Aisles
- ▶ High-Visibility Mast
- ▶ UL-Approved Model Type "E"



CLASS
3

ELECTRIC PALLET JACKS/STACKERS/TOW TRACTORS

ToyotaForklift.com

BIG ON CAN-DO

THE TOYOTA WALKIE REACH TRUCK. Economical and extremely versatile, it's the perfect choice for lower-output warehouse operations. Especially those that don't require the capabilities — and can't justify the expense — of a full-on reach truck. The Walkie Reach Truck precisely navigates narrow aisles, makes reaching racking easy and makes your operation more efficient, too. It's a big bundle of productivity at a budget-friendly price.

WALKIE REACH TRUCK ADVANTAGES

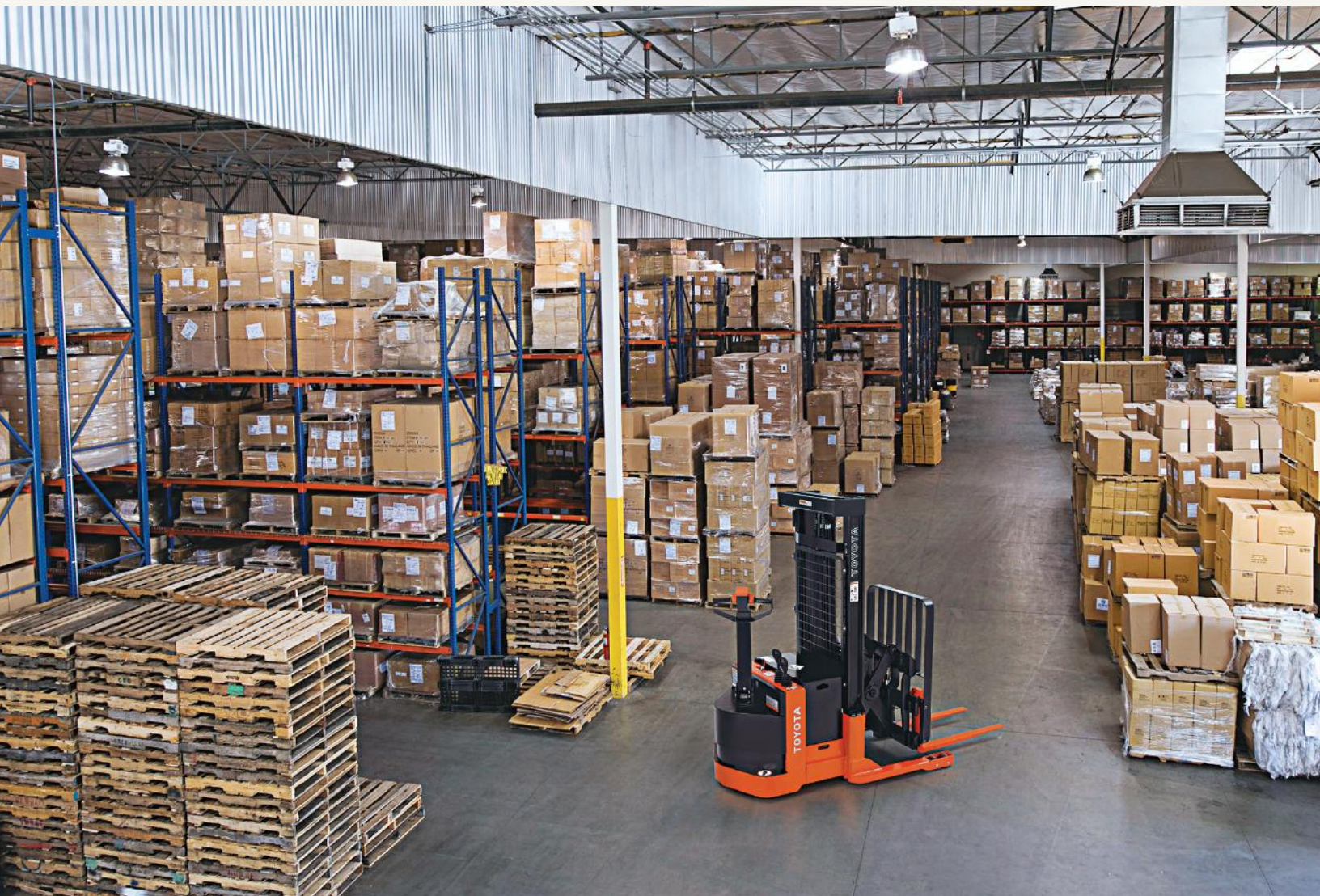
- ▶ **FULLY PROGRAMMABLE DRIVE SYSTEM** offers precise control of truck and reduces product damage
- ▶ **EASY-TO-OPERATE CONTROLS** anchored by an ergonomic multifunction control handle
- ▶ **LOAD-SENSING TORSION BAR** for easier steering and reduced operator fatigue
- ▶ **RUGGED CONSTRUCTION** for increased durability and reliability, and a longer useful lifespan
- ▶ **ABILITY TO HANDLE HEAVY LOADS** up to 3000 pounds and reach heights up to 189 inches, quickly and efficiently
- ▶ **DOCK-TO-STOCK** capabilities
- ▶ **SEM DRIVE MOTOR & SEPEX™ TRACTION SYSTEM** for smooth, step-less acceleration and improved battery efficiency

UP TO **3000** LB.
CAPACITY

AISLES AS
NARROW AS **8** FT.

▶ **HIGH-VISIBILITY MAST** allows operator to clearly see fork tips and wider work area

▶ **NO TOOLS REQUIRED SERVICE DOOR** for easy access to all major components for inspection and maintenance



WALKIE REACH TRUCK

CAPACITY
3000 LBS.

WHEELBASE
55.4 IN.

LOAD CENTER
24 IN.

INDUSTRIES



Cold Storage



Food Storage



General
Manufacturing



General
Warehousing



Oil & Gas

STANDARD FEATURES

PERFORMANCE

- 24-Volt electrical system
- SB-175 connector (red)
- On/off key switch
- UL-approved model type "E"
- Dual hydraulic reach cylinders
- MOSFET programmable controller with Separately Excited (SepEx™) shunt wound drive motor & self-diagnostics
- Electric raise & lower controls in operator handle
- Manual raise & lower controls on console

BODY/EXTERIOR DESIGN

- Electric horn
- 30"-wide ITA Class II hook-type carriage
- 42"-long forks
- 48"-high load backrest extension (3° forward/4° backward)
- 10.5"-dia. x 5"-wide crowned polyurethane drive tire
- 4"-dia. x 2.875"-wide tandem polyurethane load wheels
- 32.3" x 13.3" x open height battery compartment
- 32" - 50" base leg openings (inside dimensions) in 1" increments
- Carriage tilt
- Pressure overload relief valve & lowering control fuses
- Spring-loaded torsion bar suspension with automatic load sensing
- Easy access service cover
- High-visibility wide-view 2-stage mast

OPERABILITY & ERGONOMICS

- Emergency power disconnect switch
- Automatic resetting circuit breaker
- Reverse polarity protection contactor
- Mechanical drum brake
- Directional thumb control
- Safety glass mast guard
- Direction reverse switch in control handle
- Power on self test

OPTIONAL EQUIPMENT

- 30," 36" and 48" fork lengths
- 36" or 44" reduced height load backrest extension
- Twist grip control handle in place of thumb control¹
- 2" sideshift each way (32" or 33" base leg inside dimension)
- 3" sideshift each way (minimum 34" base leg inside dimension or wider)
- Screen guard in place of safety glass mast guard
- Various flashing lights
- Various strobe lights
- Audible travel alarm
- Hour meter⁴
- Battery discharge indicator (meter type)
- Battery discharge indicator with hour meter in combination gauge (with or without lift interrupt)⁴
- Battery compartment rollers (roller height 9.8" — allows exit to either side)
- Pallet centering guide⁵
- Toggle switch in place of key switch
- Various battery connectors
- Various drive tire compounds
- UL-approved model type "EE" rating without enclosed battery compartment²
- Corrosion conditioning
- Cold storage conditioning (includes corrosion protection conditioning)
- Auxiliary hydraulic function valve & hosing with carriage mounted termination³

¹ An optional twist grip control handle is available at no additional charge.

² Requires UL-approved model type "EE" rated battery with leads through cover at position "B." UL-approved model type "EE" is not available with cold storage conditioning and may reduce performance.

³ Only one additional hydraulic function may be mounted: either factory mounted sideshift or factory approved, customer mounted auxiliary hydraulic attachment.

⁴ Not available with any other optional battery discharge indicator/combination gauges.

⁵ Not available with optional sideshifter.

RIGHT-ANGLE STACKING AISLE REQUIREMENTS

LOAD WIDTH	LOAD LENGTH	
	42 (1067)	48 (1219)
in (mm)	in (mm)	in (mm)
6BWR15		
30 (762)	85 (2159)	92 (2337)
32 (813)	84 (2134)	92 (2337)
36 (914)	84 (2134)	91 (2312)
40 (1016)	83 (2108)	91 (2312)
42 (1067)	83 (2108)	90 (2286)
48 (1219)	82 (2108)	90 (2286)

Aisle width requirements are based on 6" (152 mm) clearance between each side of the load.
Add a minimum of 6" - 10" (152 mm - 254 mm) for maneuverability.
Add a minimum of 4.5" (114 mm) for 3-stage mast.

MAST SPECIFICATIONS

MAST TYPE	MAXIMUM FORK HEIGHT (TOP OF FORKS)	OVERALL HEIGHT		FREE-LIFT	TILT RANGE	
		LOWERED	EXTENDED	WITH STANDARD LOAD BACKREST ¹	FWD	BWD
			WITH STANDARD LOAD BACKREST ¹			
in (mm)	in (mm)	in (mm)	in (mm)	deg	deg	
6BWR15						
Wide Visible (V) ^{2,3}	100 (2540)	71 (1805)	148 (3759)	6 (153)	3	4
	124 (3149)	83 (2108)	172 (4369)	6 (153)	3	4
	150 (3810)	95 (2413)	198 (5029)	6 (153)	3	4
Full Free-Lift 3-Stage (FSV) ^{2,3}	150 (3810)	71 (1805)	198 (5029)	23 (584)	3	4
	180 (4572)	83 (2108)	228 (5791)	35 (889)	3	4
	189 (4800)	87 (2209)	237 (6020)	39 (991)	3	4

IN (MM)	LOAD CAPACITY AT 24 IN. (610 MM) LOAD CENTER													
	WIDE VISIBLE (V) ²						FULL FREE-LIFT 3-STAGE (FSV)							
	71 / 100 (1805 / 2540)		83 / 124 (2108 / 3149)		95 / 150 (2413 / 3810)		71 / 150 (1805 / 3810) ²		83 / 180 (2108 / 4572)			87 / 189 (2209 / 4800)		
DALH / MFH	WITHOUT SIDESHIFTER	WITH SIDESHIFTER	WITHOUT SIDESHIFTER	WITH SIDESHIFTER	WITHOUT SIDESHIFTER	WITH SIDESHIFTER	WITHOUT SIDESHIFTER	WITH SIDESHIFTER	WITHOUT SIDESHIFTER	WITH SIDESHIFTER	UL-APPROVED MODEL TYPE "EE" ³	WITHOUT SIDESHIFTER	WITH SIDESHIFTER	UL-APPROVED MODEL TYPE "EE" ³
	in (mm)	in (mm)	in (mm)	in (mm)	in (mm)	in (mm)	in (mm)	in (mm)	in (mm)	in (mm)	in (mm)	in (mm)	in (mm)	in (mm)
40 (1016)	3000 (1360)	2750 (1247)	3000 (1360)	2750 (1247)	3000 (1360)	2750 (1247)	2950 (1338)	2625 (1190)	2450 (1111)	1200 (544)	—	1900 (861)	1000 (453)	—
42 (1066)	3000 (1360)	2750 (1247)	3000 (1360)	2750 (1247)	3000 (1360)	2750 (1247)	3000 (1360)	2625 (1190)	2700 (1224)	1850 (839)	—	2300 (1043)	1600 (725)	—
44 (1117)	3000 (1360)	2750 (1247)	3000 (1360)	2750 (1247)	3000 (1360)	2750 (1247)	3000 (1360)	2625 (1190)	2700 (1224)	2400 (1088)	2400 (1088)	2400 (1088)	2255 (1022)	2255 (1022)
46 (1168)	3000 (1360)	2750 (1247)	3000 (1360)	2750 (1247)	3000 (1360)	2750 (1247)	3000 (1360)	2625 (1190)	2700 (1224)	2400 (1088)	2400 (1088)	2500 (1134)	2350 (1066)	2350 (1066)
48 (1219)	3000 (1360)	2750 (1247)	3000 (1360)	2750 (1247)	3000 (1360)	2750 (1247)	3000 (1360)	2625 (1190)	2700 (1224)	2400 (1088)	2400 (1088)	2600 (1179)	2350 (1066)	2350 (1066)
50 (1270)	3000 (1360)	2750 (1247)	3000 (1360)	2750 (1247)	3000 (1360)	2750 (1247)	3000 (1360)	2625 (1190)	2700 (1224)	2400 (1088)	2400 (1088)	2650 (1202)	2350 (1066)	2350 (1066)
52 (1320)	3000 (1360)	2750 (1247)	3000 (1360)	2750 (1247)	3000 (1360)	2750 (1247)	3000 (1360)	2625 (1190)	2700 (1224)	2400 (1088)	2400 (1088)	2650 (1202)	2350 (1066)	2350 (1066)
54 (1371)	3000 (1360)	2750 (1247)	3000 (1360)	2750 (1247)	3000 (1360)	2750 (1247)	3000 (1360)	2625 (1190)	2700 (1224)	2400 (1088)	2400 (1088)	2650 (1202)	2350 (1066)	2350 (1066)
56 (1422)	3000 (1360)	2750 (1247)	3000 (1360)	2750 (1247)	3000 (1360)	2750 (1247)	3000 (1360)	2625 (1190)	2700 (1224)	2400 (1088)	2400 (1088)	2650 (1202)	2350 (1066)	2350 (1066)
58 (1473)	3000 (1360)	2750 (1247)	3000 (1360)	2750 (1247)	3000 (1360)	2750 (1247)	3000 (1360)	2625 (1190)	2700 (1224)	2400 (1088)	2400 (1088)	2650 (1202)	2350 (1066)	2350 (1066)

¹ Height of standard load backrest is 48" (1220 mm).

² Same capacities apply when equipped with the UL-approved model type "EE" option.

³ Same capacities apply when equipped with the sideshifter option.

TRUCK SPECIFICATIONS

GENERAL DATA				MODEL NUMBER
				6BWR15
Load Capacity		lb (kg)		3000 (1360)
Power Type (battery type)				Battery (Lead)
Operator Position				Walkie
Tire Type	Drive / Caster / Load			Polyurethane
Wheels (x = driven)	Drive / Caster / Load			1x / 2 / 4
EXTERIOR DIMENSIONS				6BWR15
A	Maximum Fork Height (MFH) ¹	in (mm)		124 (3150)
B	Mast Lowered Height	in (mm)		83 (2108)
C	Mast Extended Height	in (mm)		172 (4369)
D	Free-Lift	in (mm)		6 (152)
E	Wheelbase	in (mm)		55.4 (1407)
F	Head Length (length to fork face)	in (mm)		47.4 (1204)
G	Truck Length (length to end of base legs)	in (mm)		69.75 (1772)
H	Power Unit Width	in (mm)		34.1 (866)
I	Power Unit Height	in (mm)		32.5 (826)
J	Battery Roller Height	in (mm)		9.8 (249)
K	Tilt Range (carriage tilt) (forward / backward)	deg		3 / 4
L	Base Leg Inside Dimension (ID) ²	in (mm)		32 - 50 (810 - 1270)
M	Base Leg Outside Dimension (OD) ²	in (mm)		40 - 58 (1016 - 1473)
N	Base Leg Width	in (mm)		4 (102)
O	Fork Size (T x W x L)	in (mm)		1.75 x 4 x 42 (44 x 102 x 1067)
P	Fork Adjustment (minimum / maximum)	in (mm)		12 / 30 (305 / 762)
Q	Underclearance (center of wheelbase)	in (mm)		2.0 (51)
R	Reach Stroke	in (mm)		24 (610)
S	Outside Turning Radius	in (mm)		65.1 (1654)
T	Battery Compartment	Length	in (mm)	32.3 (820)
		Width	in (mm)	13.3 (338)
		Height	in (mm)	Open
	Fork Carriage Width (ITA hook-type)	in (mm)		30 (762)
	Fork Lowered Height	in (mm)		2 (50)
PERFORMANCE DATA				6BWR15
Speeds	Maximum Travel (forward / reverse)	Full Load	mph (km/h)	2.8 (4.5)
		No Load	mph (km/h)	3.2 (5.1)
	Lifting	Full Load	fpm (mm/sec)	29 (147)
		No Load	fpm (mm/sec)	46 (233)
	Lowering	Full Load	fpm (mm/sec)	60 (305)
		No Load	fpm (mm/sec)	47 (239)
Gradeability ³	Loaded / Unloaded	%		6 / 10
TRUCK WEIGHTS				6BWR15
Total Weight Without Battery		lb (kg)		3400 (1542)
Weight Distribution ⁴	Full Load	Front	lb (kg)	5082 (2305)
		Rear	lb (kg)	2374 (1077)
	No Load	Front	lb (kg)	1636 (742)
		Rear	lb (kg)	2798 (1269)
TIRES				6BWR15
Tire Size (dia. x width)	Drive	in (mm)		10.5 x 5 (267 x 127)
	Caster	in (mm)		4 x 2.5 (102 x 64)
	Load	in (mm)		4 x 2.875 (100 x 73)
Suspension				Automatic Load-Sensing Torsion Bar Suspension
Grade Clearance		%		10
Brake				Mechanical Drum Brake
POWER SYSTEM				6BWR15
Battery (6-hour rating)	Voltage / Capacity	V / Ah		24 (650)
	Weight (minimum)	lb (kg)		950 (431)
Electric Motors	Drive (60 min.)	hp (kW)		1.2 (.9)
	Load Handling (5 min. 20%)	hp (kW)		4.8 (3.6)
Control Type	Drive			Transistor
	Load Handling			Electromagnetic Contactor

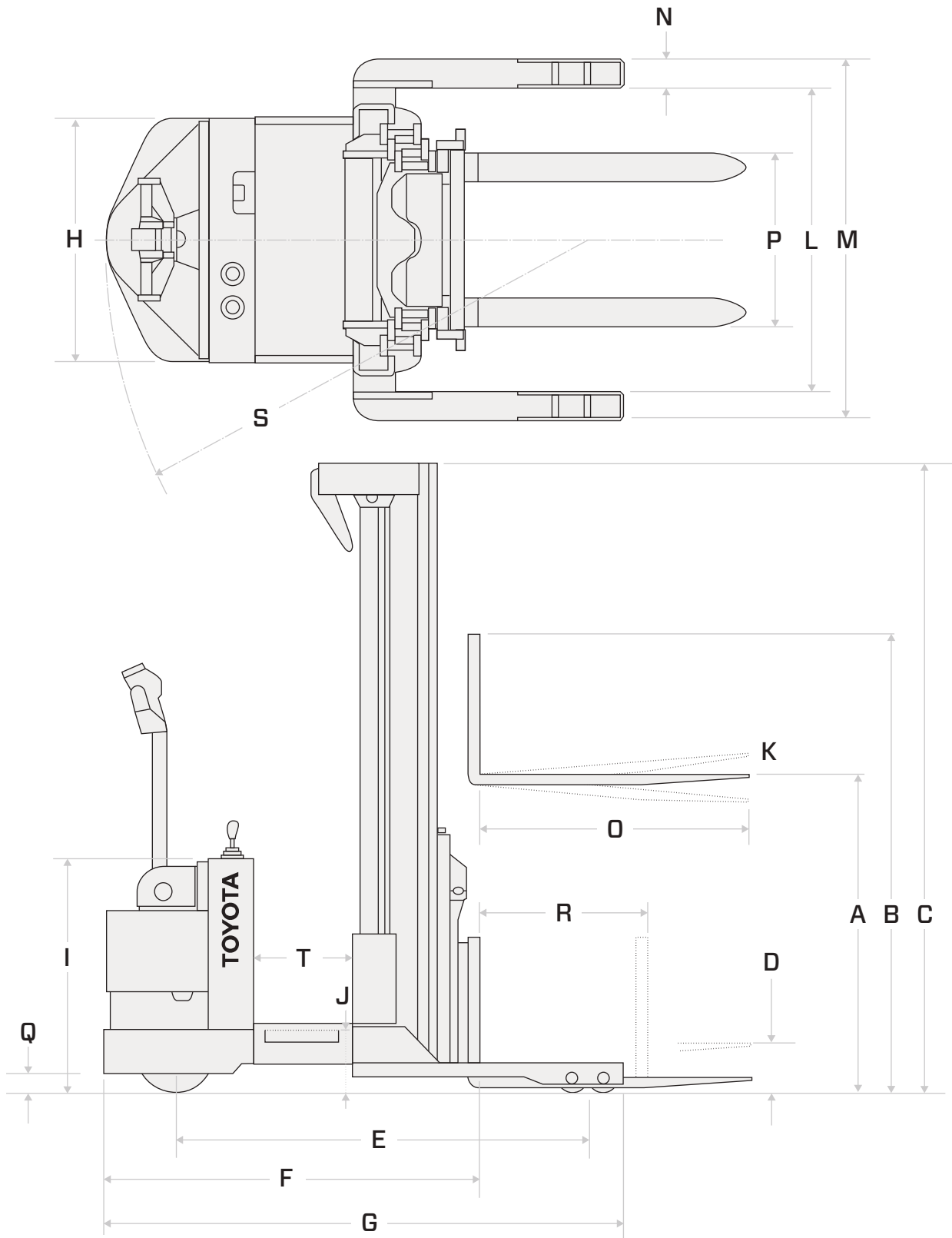
¹ Maximum Fork Height for 2-Stage mast.

² In 1" increments.

³ Trucks are designed for level floor operation. Represents the ability to traverse short ramps when required.

⁴ With standard battery & pantograph retracted.

EXTERIOR DIMENSIONS





COUNT ON THE LEADER

- ▶ Toyota leads in quality, durability, reliability and value, thanks to advanced technology and the world-renowned Toyota Production System.
- ▶ With the broadest and most complete set of material-handling solutions in the industry, Toyota Dealers specialize in meeting all of your needs — from a single forklift to an entire fleet.
- ▶ Toyota's industry-leading network of dealers backs every forklift with proven product support. Resources include factory-trained service technicians, Toyota Genuine Parts, and flexible leasing and financing packages through Toyota Commercial Finance.

- ▶ Toyota forklifts have ranked No. 1 in safety and quality since 2002, according to studies conducted by Peerless Research Group.

For more information, including full specs, see your Toyota Dealer or ToyotaForklift.com.

 **TOYOTA**
INDUSTRIAL EQUIPMENT
REACH NEW HEIGHTS

Some product features described herein are optional. Please consult your dealer for specifications. Details of specifications and equipment are based on information available at time of printing and may change without notice.