

CORE IC PNEUMATIC

TOYOTA
INDUSTRIAL EQUIPMENT
REACH NEW HEIGHTS

3000 - 6500 LBS.

SPECIFICATIONS



8FGU15-32 | 8FDU15-32

CLASS
5

INTERNAL COMBUSTION ENGINE PNEUMATIC TIRE

ToyotaForklift.com

CORE IC PNEUMATIC

CAPACITY
3000 – 6500 LBS.

MAXIMUM FORK HEIGHT
258 IN.

LOAD CENTER
24 IN.

INDUSTRIES



Brick, Block
& Pipe



Distribution



Factory



General
Manufacturing



General
Warehousing



Lumber



Paper



Retail

STANDARD FEATURES

DURABILITY

- Control Area Network (CAN-bus) communication
- Fully stamped steel side panels
- Moisture-resistant electric connectors
- High cooling capacity radiator with fan shroud
- Tilt cylinder boots
- Low-maintenance battery
- Large-capacity engine-cooling fan
- 7" cyclone air cleaner with high positioned external air intake
- Plate-iron front fenders
- Anti-restart ignition key switch
- Stamped steel engine hood
- Fully sealed air intake system
- Self-adjusting brakes

SAFETY

- System of Active Stability™ (SAS)
- Operator Presence Sensing System (OPSS)
- Bolt-on overhead guard
- Key lowering interlock
- Electric horn
- Neutral start safety switch
- Asbestos-free components

PERFORMANCE

- EPA/CARB-certified engine
- Toyota 4-cylinder, 2.2 liter, OHV gasoline engine (4Y-ECS)
- Toyota 3-cylinder, 1.8 liter, Tier 4 Final diesel engine (1ZS)
- Electronic fuel injection (gasoline only)
- UL "G" gasoline engine
- UL "D" diesel engine
- One-way automatic fork leveling
- Independent brake & inching pedals
- Integrated monitoring system – includes:
 - Digital hour meter display
 - Engine coolant temperature gauge
 - Fuel gauge (gasoline only)
 - Check engine light
 - Sedimentor warning light (diesel only)
 - Glow indicator light (diesel only)
 - Engine oil pressure warning light
 - Battery charge warning light
 - OPSS activation light
 - SAS/OPSS warning light
- Limited free-lift 2-stage mast (V)
- Adjustable headlights with guards
- Foot-activated parking brake
- Alternator with built-in regulator
- Transistorized ignition assembly
- Automatic transmission with oil cooler
- Full-floating powertrain
- Hydraulic valve lifters
- Integrated headlight & turn signal lever
- Electric shift control
- Speed control (technician programmable)

ERGONOMICS/CABIN

- Dash-mounted instrument display
- 11.8"-dia., two-spoke steering wheel
- Load-sensing hydrostatic power steering
- Heavy-duty non-slip rubber floor mat
- 12"-long dual operator assist grips
- Cowl-mounted hydraulic control levers with rubber boot covers
- Low, wide entry steps
- Low-profile front cowl
- Non-cinching seatbelt
- Dash-integrated amenity tray & oversized cup holder
- Vinyl 4-way adjustable full-suspension seat
- Slim profile, tilt steering column

SERVICEABILITY

- Easy-access no tools required floorboard
- Engine hood assist damper with lock device
- Air cleaner discharge valve
- Externally mounted hydraulic oil return filter
- Dash-mounted brake fluid level check
- Easy-lift engine hood with wide 75° opening

OPTIONAL EQUIPMENT

- Travel speed/acceleration control system
- Multifunction digital display with self-diagnostics, engine protection system, eco-mode & speed control (customer programmable)
- Hydraulic accumulator
- Intelli-Shift
- Orange seatbelt
- Rear assist grip with horn button
- Rustproof spec
- Mini-lever controls with ErgoShift
- Joystick controls with ErgoShift
- Swivel seat
- Synchronized steering
- High-mount rear combination lights
- LED front headlights
- LED rear combination lights
- Deluxe steel cab
- Standard steel cab
- 12-Volt power supply
- EZ Pedal (foot directional control)
- Plate fin radiator
- Radiator screen
- Fire extinguisher
- Front combination lights
- Steering wheel with knob
- Polished and tapered forks
- Integral & hang-on sidershifters
- Integral side shifting fork positioner
- Bottler's tilt
- LPG low-fuel warning light & alarm
- High-capacity 70-amp alternator (4Y-ECS models)
- Strobe lights
- Step-mounted toolbox with cover
- Back up alarms
- Cloth 4-way adjustable full-suspension seat
- Combination brake & inching pedal
- Pre-cleaner for air intake
- Rearview mirrors
- Wide tread tires
- UL "GS" gasoline model
- UL "DS" diesel model
- 4Y-ECS high-power engine
- Fuel system configurations with swing-out tank bracket & one-touch latch system
 - UL-LP
 - UL-LPS
 - UL-LPG dual fuel
 - UL-CNG/G dual fuel
- Swing-down LPG tank bracket



TRUCK SPECIFICATIONS

MODEL NUMBERS

GENERAL DATA				8FGU15	8FDU15	8FGU18	8FDU18	
Load Capacity	lb (kg)			3000 (1350)	3000 (1350)	3500 (1600)	3500 (1600)	
Power Type				Gasoline	Diesel	Gasoline	Diesel	
Operator Position				Seated Rider	Seated Rider	Seated Rider	Seated Rider	
Tire Type	Front / Rear			Pneumatic / Pneumatic	Pneumatic / Pneumatic	Pneumatic / Pneumatic	Pneumatic / Pneumatic	
Wheels (x = driven)	Front / Rear			2x / 2	2x / 2	2x / 2	2x / 2	
EXTERIOR DIMENSIONS				8FGU15	8FDU15	8FGU18	8FDU18	
A Maximum Fork Height (top of forks)	in (mm)			131 (3335)	131 (3335)	131 (3335)	131 (3335)	
B Free-Lift (top of forks)	in (mm)			5.7 (145)	5.7 (145)	5.7 (145)	5.7 (145)	
C Fork Size (T x W x L)	in (mm)			1.4 x 4 x 42 (35 x 100 x 1070)	1.4 x 4 x 42 (35 x 100 x 1070)	1.4 x 4 x 42 (35 x 100 x 1070)	1.4 x 4 x 42 (35 x 100 x 1070)	
D Fork Spread Max. / Min. (outer edge to edge)	in (mm)			36 (920) / 8 (200)	36 (920) / 8 (200)	36 (920) / 8 (200)	36 (920) / 8 (200)	
E Tilt Range (forward / backward)	deg			6 / 11	6 / 11	6 / 11	6 / 11	
F Length to Fork Face	in (mm)			89.6 (2275)	89.6 (2275)	90.7 (2305)	90.7 (2305)	
G Overall Width	in (mm)			42.1 (1070)	42.1 (1070)	42.1 (1070)	42.1 (1070)	
H Mast Lowered Height	in (mm)			84.5 (2145)	84.5 (2145)	84.5 (2145)	84.5 (2145)	
I Mast Extended Height (top of load backrest)	in (mm)			179.3 (4555)	179.3 (4555)	179.3 (4555)	179.3 (4555)	
J Overhead Guard Height	in (mm)			81.9 (2080)	81.9 (2080)	81.9 (2080)	81.9 (2080)	
K Turning Radius (inside / outside)	in (mm)			1.38 (35) / 76 (1930)	1.38 (35) / 76 (1930)	1.38 (35) / 78 (1980)	78 (1980)	
L Load Distance ¹	in (mm)			15.9 (405)	15.9 (405)	15.9 (405)	15.9 (405)	
M Rear Overhang	in (mm)			15.2 (385)	15.2 (385)	16.3 (415)	16.3 (415)	
N Basic Right-Angle Stacking Aisle Width ²	in (mm)			91.9 (2335)	91.9 (2335)	93.9 (2385)	93.9 (2385)	
PERFORMANCE DATA				8FGU15	8FDU15	8FGU18	8FDU18	
Speeds	Maximum Travel (forward / reverse)	Full Load	mph (km/h)	11.5 (18.5) / 11.5 (18.5)	11.8 (19.0) / 11.8 (19.0)	11.5 (18.5) / 11.5 (18.5)	11.8 (19.0) / 11.8 (19.0)	
		No Load	mph (km/h)	11.8 (19.0) / 11.8 (19.0)	12.1 (19.5) / 12.1 (19.5)	11.8 (19.0) / 11.8 (19.0)	12.1 (19.5) / 12.1 (19.5)	
	Lifting	Full Load	fpm (mm/sec)	131 (665)	128 (650)	131 (665)	128 (650)	
		No Load	fpm (mm/sec)	134 (680)	133 (675)	134 (680)	133 (675)	
	Lowering	Full Load	fpm (mm/sec)	98 (500)	98 (500)	98 (500)	98 (500)	
		No Load	fpm (mm/sec)	108 (550)	108 (550)	108 (550)	108 (550)	
Drawbar Pull	Maximum	Full Load	lb (kg)	4400 (2000)	4040 (1830)	3930 (1780)	3930 (1780)	
		No Load	lb (kg)	1550 (700)	1570 (710)	1300 (590)	1300 (590)	
Gradeability	1 mph (1.5 km/h) ³	Full Load	%	45	45	40	40	
		Maximum ³	Full Load	%	45	45	45	45
			No Load	%	22	22	20	10
TRUCK WEIGHTS				8FGU15	8FDU15	8FGU18	8FDU18	
Total Weight	lb (kg)			5500 (2500)	5500 (2500)	5920 (2690)	6060 (2750)	
Weight Distribution	Full Load (front / rear)	lb (kg)		7560 (3560) / 940 (440)	7560 (3560) / 940 (440)	8400 (3960) / 1020 (480)	8460 (3990) / 1100 (510)	
	No Load (front / rear)	lb (kg)		2500 (1140) / 3000 (1360)	2500 (1140) / 3000 (1360)	2500 (1140) / 3420 (1550)	2560 (1170) / 3500 (1580)	
TIRES				8FGU15	8FDU15	8FGU18	8FDU18	
Tires	Number (front / rear)			2 / 2	2 / 2	2 / 2	2 / 2	
	Size	Front			6.50-10-10PR (1)	6.50-10-10PR (1)	6.50-10-10PR (1)	6.50-10-10PR (1)
Rear				5.00-8-8PR (1)	5.00-8-8PR (1)	5.00-8-8PR (1)	5.00-8-8PR (1)	
Wheelbase	in (mm)			58.5 (1485)	58.5 (1485)	58.5 (1485)	58.5 (1485)	
Tread Width (front / rear)	in (mm)			34.8 (885) / 35.2 (895)	34.8 (885) / 35.2 (895)	34.8 (885) / 35.2 (895)	34.8 (885) / 35.2 (895)	
Underclearance (full load)	Minimum with Load	in (mm)		3.9 (100)	3.9 (100)	3.9 (100)	3.9 (100)	
	Center of Wheelbase	in (mm)		4.5 (115)	4.5 (115)	4.5 (115)	4.5 (115)	
Brake	Service (foot) / Parking			Hydraulic / Mechanical	Hydraulic / Mechanical	Hydraulic / Mechanical	Hydraulic / Mechanical	
POWER SYSTEM				8FGU15	8FDU15	8FGU18	8FDU18	
Battery (5-hour rating)	V / Ah			12 / 48	12 / 52	12 / 48	12 / 52	
Internal Combustion Engine	Make / Model			TOYOTA / 4Y - ECS	TOYOTA / 1ZS	TOYOTA / 4Y - ECS	TOYOTA / 1ZS	
	Rated Horsepower @ rpm	SAE HP			51 @ 2570 Net	53 @ 2200 Net	51 @ 2570 Net	53 @ 2200 Net
		(kW)			(38 @ 2570)	(40 @ 2200)	(38 @ 2570)	(40 @ 2200)
	Rated Torque @ rpm	SAE ft-lb			118 @ 2100 Net	128 @ 1800 Net	118 @ 2100 Net	128 @ 1800 Net
		(N-m)			(160 @ 2100)	(174 @ 1800)	(160 @ 2100)	(174 @ 1800)
	Number of Cylinders				4	3	4	3
Piston Displacement	cu in (cc)			136 (2237)	110 (1795)	136 (2237)	110 (1795)	
Fuel Tank Capacity	US gal (liter)			12 (45)	12 (45)	12 (45)	12 (45)	
Transmission	Type			Powershift	Powershift	Powershift	Powershift	
	Speeds (forward / reverse)			1 / 1	1 / 1	1 / 1	1 / 1	
Auxiliary Hydraulic Function Specifications (for attachments) ⁴	Max. Operating Pressure	psi (kg/cm ²)		2275 (160)	2275 (160)	2275 (160)	2275 (160)	
	Max. Flow Rate	gpm		17	17	17	17	

1 Load distance at centerline of front axle to front face of forks.

2 Basic right-angle stacking aisle width, add load length & clearance.

3 Computed values. Performance of LPG fuel system may be less than that of standard model shown.

4 Values taken at Hydraulic Control Valve. Does not take in to consideration losses through most plumbing (hosing, fittings, QDs, etc.).

MODEL NUMBERS

GENERAL DATA				8FGU20	8FDU20	8FGU25	8FDU25		
Load Capacity		lb (kg)		4000 (1800)	4000 (1800)	5000 (2250)	5000 (2250)		
Power Type				Gasoline	Diesel	Gasoline	Diesel		
Operator Position				Seated Rider	Seated Rider	Seated Rider	Seated Rider		
Tire Type	Front / Rear		Pneumatic / Pneumatic		Pneumatic / Pneumatic	Pneumatic / Pneumatic	Pneumatic / Pneumatic		
Wheels (x = driven)	Front / Rear		2x / 2		2x / 2	2x / 2	2x / 2		
EXTERIOR DIMENSIONS				8FGU20	8FDU20	8FGU25	8FDU25		
A	Maximum Fork Height (top of forks)		in (mm)		131.5 (3340)	131.5 (3340)	131.5 (3340)	131.5 (3340)	
B	Free-Lift (top of forks)		in (mm)		6.1 (155)	6.1 (155)	6.1 (155)	6.1 (155)	
C	Fork Size (T x W x L)		in (mm)		1.6 x 5 x 42 (40 x 125 x 1070)	1.6 x 5 x 42 (40 x 125 x 1070)	1.6 x 5 x 42 (40 x 125 x 1070)	1.6 x 5 x 42 (40 x 125 x 1070)	
D	Fork Spread Max. / Min. (outer edge to edge)		in (mm)		40 (1020) / 10 (250)	40 (1020) / 10 (250)	40 (1020) / 10 (250)	40 (1020) / 10 (250)	
E	Tilt Range (forward / backward)		deg		6 / 11	6 / 11	6 / 11	6 / 11	
F	Length to Fork Face		in (mm)		101.4 (2575)	101.4 (2575)	103.9 (2640)	103.9 (2640)	
G	Overall Width		in (mm)		45.3 (1150)	45.3 (1150)	45.3 (1150)	45.3 (1150)	
H	Mast Lowered Height		in (mm)		84.5 (2145)	84.5 (2145)	84.5 (2145)	84.5 (2145)	
I	Mast Extended Height (top of load backrest)		in (mm)		179.5 (4560)	179.5 (4560)	179.5 (4560)	179.5 (4560)	
J	Overhead Guard Height		in (mm)		83.1 (2110)	83.1 (2110)	83.1 (2110)	83.1 (2110)	
K	Turning Radius (inside / outside)		in (mm)		5.91 (150) / 84.7 (2150)	5.91 (150) / 84.7 (2150)	5.91 (150) / 87.5 (2220)	5.91 (150) / 87.5 (2220)	
L	Load Distance ¹		in (mm)		18.5 (470)	18.5 (470)	18.5 (470)	18.5 (470)	
M	Rear Overhang		in (mm)		17.9 (455)	17.9 (455)	20.5 (520)	20.5 (520)	
N	Basic Right-Angle Stacking Aisle Width ²		in (mm)		103.2 (2620)	103.2 (2620)	105.9 (2690)	105.9 (2690)	
PERFORMANCE DATA				8FGU20	8FDU20	8FGU25	8FDU25		
Speeds	Maximum Travel (forward / reverse)	Full Load	mph (km/h)	10.9 (17.5) / 10.9 (17.5)	11.8 (19.0) / 11.8 (19.0)	10.9 (17.5) / 10.9 (17.5)	11.8 (19.0) / 11.8 (19.0)		
		No Load	mph (km/h)	11.2 (18.0) / 11.2 (18.0)	12.1 (19.5) / 12.1 (19.5)	11.2 (18.0) / 11.2 (18.0)	12.1 (19.5) / 12.1 (19.5)		
	Lifting	Full Load	fpm (mm/sec)	118 (600)	121 (615)	118 (600)	121 (615)		
		No Load	fpm (mm/sec)	126 (640)	129 (655)	126 (640)	129 (655)		
	Lowering	Full Load	fpm (mm/sec)	98 (500)	98 (500)	98 (500)	98 (500)		
		No Load	fpm (mm/sec)	98 (500)	98 (500)	98 (500)	98 (500)		
Drawbar Pull	Maximum	Full Load	lb (kg)	4250 (1930)	4250 (1930)	4250 (1930)	4250 (1930)		
		No Load	lb (kg)	2020 (920)	2040 (930)	1910 (870)	1930 (880)		
Gradeability	1 mph (1.5 km/h) ³	Full Load	%	37	34	31	29		
		Maximum ³	Full Load	%	41	39	34	33	
			No Load	%	23	23	20	20	
TRUCK WEIGHTS				8FGU20	8FDU20	8FGU25	8FDU25		
Total Weight		lb (kg)		7080 (3210)	7230 (3290)	7840 (3560)	7990 (3630)		
Weight Distribution	Full Load (front / rear)		lb (kg)	9750 (4600) / 1330 (610)	9810 (4630) / 1420 (660)	11260 (5330) / 1580 (730)	11320 (5350) / 1670 (780)		
	No Load (front / rear)		lb (kg)	3130 (1420) / 3950 (1790)	3180 (1450) / 4050 (1840)	2980 (1350) / 4860 (2210)	3040 (1380) / 4950 (2250)		
TIRES				8FGU20	8FDU20	8FGU25	8FDU25		
Tires	Number (front / rear)				2 / 2	2 / 2	2 / 2	2 / 2	
	Size	Front			7.00-12-12PR (1)	7.00-12-12PR (1)	7.00-12-12PR (1)	7.00-12-12PR (1)	
		Rear			6.00-9-10PR (1)	6.00-9-10PR (1)	6.00-9-10PR (1)	6.00-9-10PR (1)	
Wheelbase		in (mm)		65 (1650)	65 (1650)	65 (1650)	65 (1650)		
Tread Width (front / rear)		in (mm)		37.8 (960) / 38.0 (965)	37.8 (960) / 38.0 (965)	37.8 (960) / 38.0 (965)	37.8 (960) / 38.0 (965)		
Underclearance (full load)	Minimum with Load		in (mm)		3.7 (95)	3.7 (95)	3.7 (95)	3.7 (95)	
	Center of Wheelbase		in (mm)		5.5 (140)	5.5 (140)	5.5 (140)	5.5 (140)	
Brake	Service (foot) / Parking				Hydraulic / Mechanical	Hydraulic / Mechanical	Hydraulic / Mechanical	Hydraulic / Mechanical	
POWER SYSTEM				8FGU20	8FDU20	8FGU25	8FDU25		
Battery (5-hour rating)		V / Ah		12 / 48	12 / 52	12 / 48	12 / 52		
Internal Combustion Engine	Make / Model				TOYOTA / 4Y - ECS	TOYOTA / 1ZS	TOYOTA / 4Y - ECS	TOYOTA / 1ZS	
	Rated Horsepower @ rpm	SAE HP				51 @ 2570 Net	55 @ 2200 Net	51 @ 2570 Net	55 @ 2200 Net
		(kW)				(38 @ 2570)	(41 @ 2200)	(38 @ 2570)	(41 @ 2200)
	Rated Torque @ rpm	SAE ft-lb				118 @ 2100 Net	148 @ 1600 Net	118 @ 2100 Net	148 @ 1600 Net
		(N-m)				(160 @ 2100)	(200 @ 1600)	(160 @ 2100)	(200 @ 1600)
	Number of Cylinders				4	3	4	3	
Piston Displacement		cu in (cc)		136 (2237)	110 (1795)	136 (2237)	110 (1795)		
Fuel Tank Capacity		US gal (liter)		15.9	15.9	15.9	15.9		
Transmission	Type				Powershift	Powershift	Powershift	Powershift	
	Speeds (forward / reverse)				1 / 1	1 / 1	1 / 1	1 / 1	
Auxiliary Hydraulic Function Specifications (for attachments) ⁴	Max. Operating Pressure		psi (kg/cm ²)		2275 (160)	2275 (160)	2275 (160)	2275 (160)	
	Max. Flow Rate		gpm		20	19	20	19	

1 Load distance at centerline of front axle to front face of forks.

2 Basic right-angle stacking aisle width, add load length & clearance.

3 Computed values. Performance of LPG fuel system may be less than that of standard model shown.

4 Values taken at Hydraulic Control Valve. Does not take in to consideration losses through mast plumbing (hosing, fittings, QDs, etc.).

TRUCK SPECIFICATIONS

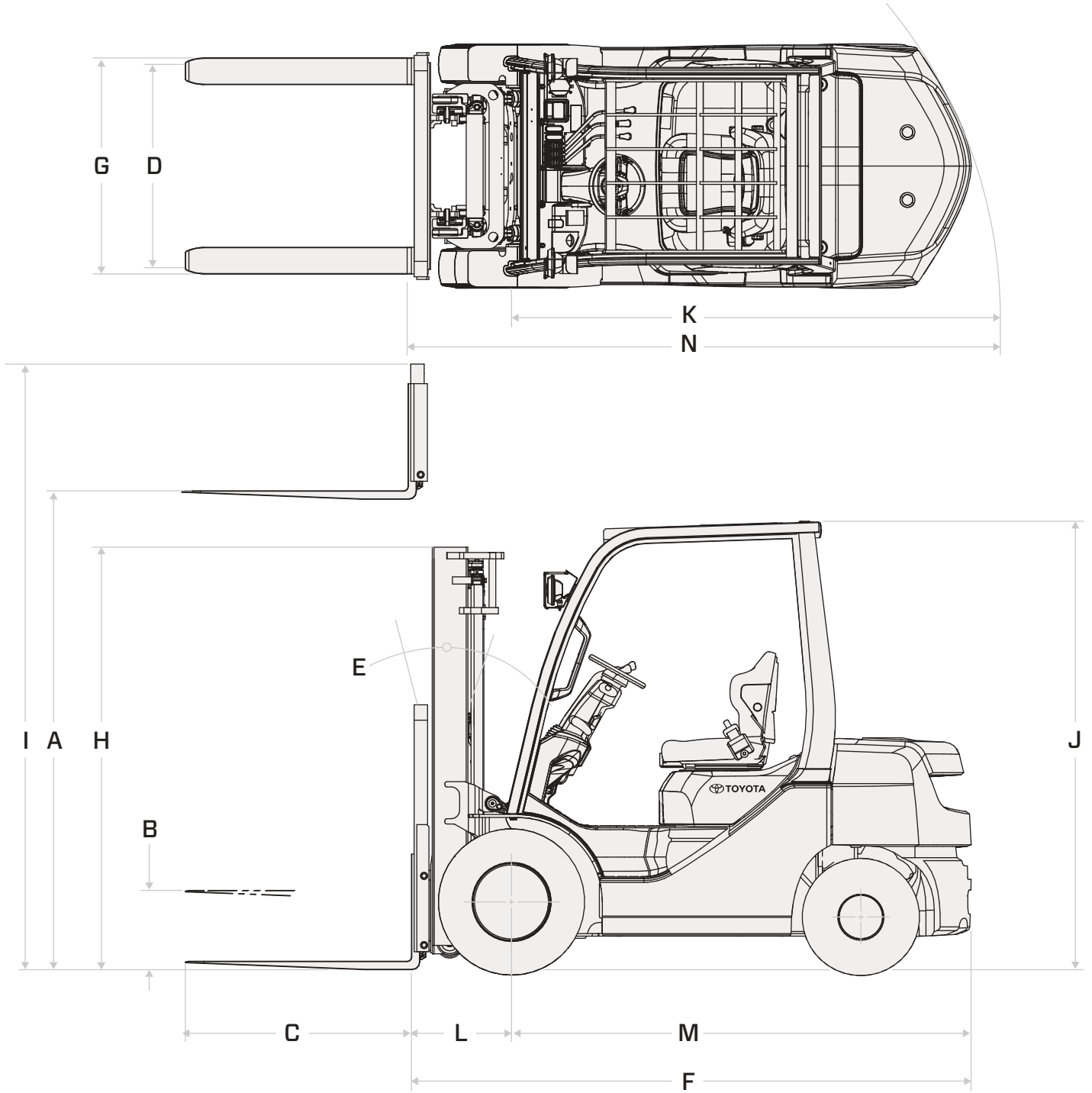
MODEL NUMBERS

GENERAL DATA				8FGU30	8FDU30	8FGU32	8FDU32	
Load Capacity	lb (kg)			6000 (2700)	6000 (2700)	6500 (3000)	6500 (3000)	
Power Type				Gasoline	Diesel	Gasoline	Diesel	
Operator Position				Seated Rider	Seated Rider	Seated Rider	Seated Rider	
Tire Type	Front / Rear			Pneumatic / Pneumatic	Pneumatic / Pneumatic	Pneumatic / Pneumatic	Pneumatic / Pneumatic	
Wheels (x = driven)	Front / Rear			2x / 2	2x / 2	2x / 2	2x / 2	
EXTERIOR DIMENSIONS				8FGU30	8FDU30	8FGU32	8FDU32	
A Maximum Fork Height (top of forks)	in (mm)			131.5 (3345)	131.5 (3345)	131.5 (3345)	131.5 (3345)	
B Free-Lift (top of forks)	in (mm)			5.3 (135)	5.3 (135)	5.3 (135)	5.3 (135)	
C Fork Size (T x W x L)	in (mm)			1.8 x 5 x 42 (45 x 125 x 1070)	1.8 x 5 x 42 (45 x 125 x 1070)	1.8 x 5 x 42 (45 x 125 x 1070)	1.8 x 5 x 42 (45 x 125 x 1070)	
D Fork Spread Max. / Min. (outer edge to edge)	in (mm)			42 (1070) / 10 (250)	42 (1070) / 10 (250)	42 (1070) / 10 (250)	42 (1070) / 10 (250)	
E Tilt Range (forward / backward)	deg			6 / 11	6 / 11	6 / 11	6 / 11	
F Length to Fork Face	in (mm)			109.4 (2780)	109.4 (2780)	110.2 (2800)	110.2 (2800)	
G Overall Width	in (mm)			48.8 (1240)	48.8 (1240)	48.8 (1240)	48.8 (1240)	
H Mast Lowered Height	in (mm)			85.3 (2165)	85.3 (2165)	85.3 (2165)	85.3 (2165)	
I Mast Extended Height (top of load backrest)	in (mm)			179.7 (4565)	179.7 (4565)	179.7 (4565)	179.7 (4565)	
J Overhead Guard Height	in (mm)			85.5 (2170)	85.5 (2170)	85.5 (2170)	85.5 (2170)	
K Turning Radius (inside / outside)	in (mm)			748 (190) / 92.5 (2350)	748 (190) / 92.5 (2350)	93.3 (2370)	93.3 (2370)	
L Load Distance ¹	in (mm)			19.1 (485)	19.1 (485)	19.1 (485)	19.1 (485)	
M Rear Overhang	in (mm)			23 (595)	23 (595)	24 (615)	24 (615)	
N Basic Right-Angle Stacking Aisle Width ²	in (mm)			111.6 (2835)	111.6 (2835)	112.4 (2855)	112.4 (2855)	
PERFORMANCE DATA				8FGU30	8FDU30	8FGU32	8FDU32	
Speeds	Maximum Travel (forward / reverse)	Full Load	mph (km/h)	11.2 (18.0) / 11.2 (18.0)	11.2 (18.0) / 11.2 (18.0)	11.2 (18.0) / 11.2 (18.0)	11.5 (18.5) / 11.5 (18.5)	
		No Load	mph (km/h)	11.5 (18.5) / 11.5 (18.5)	11.5 (18.5) / 11.5 (18.5)	11.5 (18.5) / 11.5 (18.5)	11.8 (19.0) / 11.8 (19.0)	
	Lifting	Full Load	fpm (mm/sec)	100 (510)	100 (510)	100 (510)	98 (500)	
		No Load	fpm (mm/sec)	108 (550)	108 (550)	108 (550)	104 (530)	
	Lowering	Full Load	fpm (mm/sec)	98 (500)	98 (500)	98 (500)	98 (500)	
		No Load	fpm (mm/sec)	98 (500)	98 (500)	98 (500)	98 (500)	
Drawbar Pull	Maximum	Full Load	lb (kg)	4400 (2000)	4400 (2000)	4400 (2000)	4380 (1987)	
		No Load	lb (kg)	2310 (1050)	2310 (1050)	2310 (1050)	2340 (1060)	
Gradeability	1 mph (1.5 km/h) ³	Full Load	%	24	24	24	24	
		Maximum ³	Full Load	%	26	26	26	28
			No Load	%	21	21	21	20
TRUCK WEIGHTS				8FGU30	8FDU30	8FGU32	8FDU32	
Total Weight	lb (kg)			9270 (4210)	9270 (4210)	9500 (4320)	9650 (4390)	
Weight Distribution	Full Load (front / rear)	lb (kg)		13290 (6300) / 1980 (910)	13290 (6300) / 1980 (910)	14050 (6670) / 1950 (900)	14110 (6700) / 2040 (940)	
	No Load (front / rear)	lb (kg)		3430 (1560) / 5840 (2650)	3430 (1560) / 5840 (2650)	3360 (1530) / 6140 (2790)	3420 (1560) / 6230 (2830)	
TIRES				8FGU30	8FDU30	8FGU32	8FDU32	
Tires	Number (front / rear)			2 / 2	2 / 2	2 / 2	2 / 2	
	Size	Front		28 x 9-15-12PR (1)	28 x 9-15-12PR (1)	28 x 9-15-14PR (1)	28 x 9-15-14 PR (1)	
		Rear		6.50-10-10PR (1)	6.50-10-10PR (1)	6.50-10-10PR (1)	6.50-10-10PR (1)	
Wheelbase	in (mm)			66.9 (1700)	66.9 (1700)	66.9 (1700)	66.9 (1700)	
Tread Width (front / rear)	in (mm)			39.8 (1010) / 38 (965)	39.8 (1010) / 38 (965)	39.8 (1010) / 38 (965)	39.8 (1010) / 38 (965)	
Underclearance (full load)	Minimum with Load	in (mm)		4.5 (115)	4.5 (115)	4.5 (115)	4.5 (115)	
	Center of Wheelbase	in (mm)		7.3 (185)	7.3 (185)	7.3 (185)	7.3 (185)	
Brake	Service (foot) / Parking			Hydraulic / Mechanical	Hydraulic / Mechanical	Hydraulic / Mechanical	Hydraulic / Mechanical	
POWER SYSTEM				8FGU30	8FDU30	8FGU32	8FDU32	
Battery (5-hour rating)	V / Ah			12 / 48	12 / 48	12 / 48	12 / 52	
Internal Combustion Engine	Make / Model			TOYOTA / 4Y - ECS - HP ⁵	TOYOTA / 4Y - ECS - HP ⁵	TOYOTA / 4Y - ECS - HP ⁵	TOYOTA / 1ZS	
	Rated Horsepower @ rpm	SAE HP		57 @ 2570 Net	57 @ 2570 Net	57 @ 2570 Net	55 @ 2200 Net	
		(kW)		(42 @ 2570)	(42 @ 2570)	(42 @ 2570)	(41 @ 2200)	
	Rated Torque @ rpm	SAE ft-lb		118 @ 2200 Net	118 @ 2200 Net	118 @ 2200 Net	148 @ 1600 Net	
		(N-m)		(160 @ 2200)	(160 @ 2200)	(160 @ 2200)	(200 @ 1600)	
	Number of Cylinders				4	4	4	3
Piston Displacement	cu in (cc)			136 (2237)	136 (2237)	136 (2237)	110 (1795)	
Fuel Tank Capacity	US gal (liter)			15.9 (60)	15.9 (60)	15.9 (60)	15.9 (60)	
Transmission	Type			Powershift	Powershift	Powershift	Powershift	
	Speeds (forward / reverse)			1 / 1	1 / 1	1 / 1	1 / 1	
Auxiliary Hydraulic Function Specifications (for attachments) ⁴	Max. Operating Pressure			psi (kg/cm ²)	2275 (160)	2275 (160)	2275 (160)	
	Max. Flow Rate			gpm	21	21	20	

1 Load distance at centerline of front axle to front face of forks.
 2 Basic right-angle stacking aisle width, add load length & clearance.

3 Computed values. Performance of LPG fuel system may be less than that of standard model shown.
 4 Values taken at Hydraulic Control Valve. Does not take in to consideration losses through mast plumbing (hosing, fittings, QDs, etc.).
 5 LPG-only units.

EXTERIOR DIMENSIONS



MAST SPECIFICATIONS

MAST TYPE	MAXIMUM FORK HEIGHT (TOP OF FORKS)	OVERALL HEIGHT			FREE-LIFT		SINGLE TIRE			
		LOWERED	EXTENDED		WITHOUT LOAD BACKREST	WITH STANDARD LOAD BACKREST ¹	TILT RANGE		LOAD CAPACITY AT 24 IN. (610 MM) LOAD CENTER	
			WITHOUT LOAD BACKREST	WITH STANDARD LOAD BACKREST ¹			FWD	BWD	NARROW TREAD	WIDE TREAD
	in (mm)	in (mm)	in (mm)	in (mm)	in (mm)	in (mm)	deg	deg	lb (kg)	lb (kg)
8FGU15 / 8FDU15										
Wide Visible (V)	80 (2035)	58.9 (1495)	104.1 (2645)	128.1 (3255)	5.7 (145)	5.7 (145)	6	11	3000 (1350)	3000 (1350)
	119 (3035)	78.5 (1995)	143.5 (3645)	167.5 (4255)	5.7 (145)	5.7 (145)	6	11	3000 (1350)	3000 (1350)
	131 (3335)	84.5 (2145)	155.3 (3945)	179.3 (4555)	5.7 (145)	5.7 (145)	6	11	3000 (1350)	3000 (1350)
	139 (3535)	88.4 (2245)	163.2 (4145)	187.2 (4755)	5.7 (145)	5.7 (145)	6	11	3000 (1350)	3000 (1350)
	147 (3735)	94.7 (2405)	171.1 (4345)	195.1 (4955)	5.7 (145)	5.7 (145)	6	11	3000 (1350)	3000 (1350)
Full Free-Lift 2-Stage (FV)	158.5 (4035)	102.2 (2595)	182.9 (4645)	206.9 (5255)	5.7 (145)	5.7 (145)	6	11	3000 (1350)	3000 (1350)
	119 (3035)	78.5 (1995)	141.9 (3605)	167.5 (4255)	56.1 (1430)	30.5 (775)	6	11	3000 (1350)	3000 (1350)
	131 (3335)	84.5 (2145)	153.7 (3905)	179.3 (4555)	62 (1580)	36.4 (925)	6	11	3000 (1350)	3000 (1350)
Full Free-Lift 3-Stage (FSV)	139 (3535)	88.4 (2245)	161.6 (4105)	187.2 (4755)	65.9 (1680)	40.4 (1025)	6	11	3000 (1350)	3000 (1350)
	158.5 (4035)	74.6 (1895)	180.1 (4575)	206.9 (5255)	53.3 (1360)	25.0 (635)	6	6	2850 (1300)	2850 (1300)
	170.5 (4335)	78.5 (1995)	191.9 (4875)	218.7 (5555)	57.3 (1460)	28.9 (735)	6	6	2800 (1250)	2850 (1300)
	189 (4800)	84.4 (2145)	209.6 (5325)	236.6 (6010)	63.2 (1610)	34.8 (885)	6	6	2750 (1250)	2800 (1250)
	198 (5035)	88.4 (2245)	219.5 (5575)	246.3 (6255)	67.1 (1710)	38.8 (985)	6	6	2650 (1200)	2750 (1250)
	217.5 (5535)	94.7 (2405)	239.2 (6075)	265.9 (6755)	73.4 (1870)	45.1 (1145)	6	6	2050 (950)	2200 (1000)
237.5 (6035)	102.2 (2595)	258.9 (6575)	285.6 (7255)	80.9 (2060)	52.6 (1335)	6	6	1500 (700)	1650 (750)	

MAST TYPE	MAXIMUM FORK HEIGHT (TOP OF FORKS)	OVERALL HEIGHT			FREE-LIFT		SINGLE TIRE			
		LOWERED	EXTENDED		WITHOUT LOAD BACKREST	WITH STANDARD LOAD BACKREST ¹	TILT RANGE		LOAD CAPACITY AT 24 IN. (610 MM) LOAD CENTER	
			WITHOUT LOAD BACKREST	WITH STANDARD LOAD BACKREST ¹			FWD	BWD	NARROW TREAD	WIDE TREAD
	in (mm)	in (mm)	in (mm)	in (mm)	in (mm)	in (mm)	deg	deg	lb (kg)	lb (kg)
8FGU18 / 8FDU18										
Wide Visible (V)	80 (2035)	58.9 (1495)	104.1 (2645)	128.1 (3255)	5.7 (145)	5.7 (145)	6	11	3500 (1600)	3500 (1600)
	119 (3035)	78.5 (1995)	143.5 (3645)	167.5 (4255)	5.7 (145)	5.7 (145)	6	11	3500 (1600)	3500 (1600)
	131 (3335)	84.5 (2145)	155.3 (3945)	179.3 (4555)	5.7 (145)	5.7 (145)	6	11	3500 (1600)	3500 (1600)
	139 (3535)	88.4 (2245)	163.2 (4145)	187.2 (4755)	5.7 (145)	5.7 (145)	6	11	3500 (1600)	3500 (1600)
	147 (3735)	94.7 (2405)	171.1 (4345)	195.1 (4955)	5.7 (145)	5.7 (145)	6	11	3500 (1600)	3500 (1600)
Full Free-Lift 2-Stage (FV)	158.5 (4035)	102.2 (2595)	182.9 (4645)	206.9 (5255)	5.7 (145)	5.7 (145)	6	11	3400 (1550)	3500 (1600)
	119 (3035)	78.5 (1995)	141.9 (3605)	167.5 (4255)	56.1 (1430)	30.5 (775)	6	11	3500 (1600)	3500 (1600)
	131 (3335)	84.5 (2145)	153.7 (3905)	179.3 (4555)	62 (1580)	36.4 (925)	6	11	3500 (1600)	3500 (1600)
Full Free-Lift 3-Stage (FSV)	139 (3535)	88.4 (2245)	161.6 (4105)	187.2 (4755)	65.9 (1680)	40.4 (1025)	6	11	3500 (1600)	3500 (1600)
	158.5 (4035)	74.6 (1895)	180.1 (4575)	206.9 (5255)	53.3 (1360)	25.0 (635)	6	6	3200 (1450)	3200 (1450)
	170.5 (4335)	78.5 (1995)	191.9 (4875)	218.7 (5555)	57.3 (1460)	28.9 (735)	6	6	3150 (1400)	3200 (1450)
	189 (4800)	84.4 (2145)	209.6 (5325)	236.6 (6010)	63.2 (1610)	34.8 (885)	6	6	2900 (1300)	3050 (1400)
	198 (5035)	88.4 (2245)	219.5 (5575)	246.3 (6255)	67.1 (1710)	38.8 (985)	6	6	2550 (1150)	3000 (1350)
	217.5 (5535)	94.7 (2405)	239.2 (6075)	265.9 (6755)	73.4 (1870)	45.1 (1145)	6	6	1850 (850)	2400 (1100)
237.5 (6035)	102.2 (2595)	258.9 (6575)	285.6 (7255)	80.9 (2060)	52.6 (1335)	6	6	1300 (600)	1750 (800)	

¹ Height of standard load backrest is 48" (1220 mm). Attachment capacities (including sideshifters) are located in Section 6.1 — Lifting Capacities for Options.

MAST TYPE	MAXIMUM FORK HEIGHT (TOP OF FORKS)	OVERALL HEIGHT			FREE-LIFT		SINGLE TIRE			DUAL TIRE	
		LOWERED	EXTENDED		WITHOUT LOAD BACKREST	WITH STANDARD LOAD BACKREST ¹	TILT RANGE	LOAD CAPACITY AT 24 IN. (610 MM) LOAD CENTER		TILT RANGE	LOAD CAPACITY AT 24 IN. (610 MM) LOAD CENTER
			WITHOUT LOAD BACKREST	WITH STANDARD LOAD BACKREST ¹				FWD / BWD	NARROW TREAD		
in (mm)	in (mm)	in (mm)	in (mm)	in (mm)	in (mm)	deg	lb (kg)	lb (kg)	deg	lb (kg)	
8FGU20 / 8FDU20											
Wide Visible (V)	80 (2040)	58.9 (1495)	104.7 (2660)	128.3 (3260)	6.1 (155)	6.1 (155)	6 / 11	4000 (1800)	4000 (1800)	6 / 11	4000 (1800)
	119.5 (3040)	78.5 (1995)	144.1 (3660)	167.7 (4260)	6.1 (155)	6.1 (155)	6 / 11	4000 (1800)	4000 (1800)	6 / 11	4000 (1800)
	131.5 (3340)	84.5 (2145)	155.9 (3960)	179.5 (4560)	6.1 (155)	6.1 (155)	6 / 11	4000 (1800)	4000 (1800)	6 / 11	4000 (1800)
	139 (3540)	88.4 (2245)	163.8 (4160)	187.4 (4760)	6.1 (155)	6.1 (155)	6 / 11	4000 (1800)	4000 (1800)	6 / 11	4000 (1800)
	147 (3740)	94.7 (2405)	171.7 (4360)	195.3 (4960)	6.1 (155)	6.1 (155)	6 / 11	4000 (1800)	4000 (1800)	6 / 11	4000 (1800)
Full Free-Lift 2-Stage (FV)	159 (4040)	102.2 (2595)	183.5 (4660)	207.1 (5260)	6.1 (155)	6.1 (155)	6 / 11	4000 (1800)	4000 (1800)	6 / 11	4000 (1800)
	119.5 (3040)	78.5 (1995)	143.5 (3645)	167.7 (4260)	55.1 (1400)	30.5 (775)	6 / 11	4000 (1800)	4000 (1800)	6 / 11	4000 (1800)
	131.5 (3340)	84.5 (2145)	151.4 (3845)	179.5 (4560)	61 (1550)	36.4 (925)	6 / 11	4000 (1800)	4000 (1800)	6 / 11	4000 (1800)
Full Free-Lift 3-Stage (FSV)	139 (3540)	88.4 (2245)	163.2 (4145)	187.4 (4760)	65 (1650)	40.4 (1025)	6 / 11	4000 (1800)	4000 (1800)	6 / 11	4000 (1800)
	159 (4040)	74.6 (1895)	181.5 (4610)	206.7 (5250)	52.4 (1330)	26.6 (675)	6 / 6	4000 (1800)	4000 (1800)	6 / 6	4000 (1800)
	170.5 (4340)	78.5 (1995)	193.3 (4910)	218.5 (5550)	56.3 (1430)	30.5 (775)	6 / 6	4000 (1800)	4000 (1800)	6 / 6	4000 (1800)
	189 (4800)	84.5 (2145)	211.4 (5370)	236.6 (6010)	62.2 (1580)	36.4 (915)	6 / 6	3900 (1750)	4000 (1800)	6 / 6	4000 (1800)
	198 (5040)	88.4 (2245)	220.9 (5610)	246.1 (6250)	66.1 (1680)	40.4 (1015)	6 / 6	3550 (1600)	4000 (1800)	6 / 6	4000 (1800)
	218 (5540)	94.7 (2405)	240.6 (6110)	265.7 (6750)	72.4 (1840)	46.7 (1185)	6 / 6	2800 (1250)	3500 (1600)	6 / 6	3750 (1700)
	237.5 (6040)	102.2 (2595)	260.2 (6610)	285.4 (7250)	79.9 (2030)	54.2 (1375)	6 / 6	2000 (900)	2550 (1150)	6 / 6	3300 (1500)
	257.5 (6540)	112 (2845)	279.9 (7110)	305.1 (7750)	89.8 (2280)	64 (1625)	—	—	—	6 / 6	3200 (1450)
277 (7040)	121.9 (3095)	299.6 (7610)	324.8 (8250)	99.6 (2530)	73.9 (1875)	—	—	—	6 / 6	2600 (1200)	

MAST TYPE	MAXIMUM FORK HEIGHT (TOP OF FORKS)	OVERALL HEIGHT			FREE-LIFT		SINGLE TIRE			DUAL TIRE	
		LOWERED	EXTENDED		WITHOUT LOAD BACKREST	WITH STANDARD LOAD BACKREST ¹	TILT RANGE	LOAD CAPACITY AT 24 IN. (610 MM) LOAD CENTER		TILT RANGE	LOAD CAPACITY AT 24 IN. (610 MM) LOAD CENTER
			WITHOUT LOAD BACKREST	WITH STANDARD LOAD BACKREST ¹				FWD / BWD	NARROW TREAD		
in (mm)	in (mm)	in (mm)	in (mm)	in (mm)	in (mm)	deg	lb (kg)	lb (kg)	deg	lb (kg)	
8FGU25 / 8FDU25											
Wide Visible (V)	80 (2040)	58.9 (1495)	104.7 (2660)	128.3 (3260)	6.1 (155)	6.1 (155)	6 / 11	5000 (2250)	5000 (2250)	6 / 11	5000 (2250)
	119.5 (3040)	78.5 (1995)	144.1 (3660)	167.7 (4260)	6.1 (155)	6.1 (155)	6 / 11	5000 (2250)	5000 (2250)	6 / 11	5000 (2250)
	131.5 (3340)	84.5 (2145)	155.9 (3960)	179.5 (4560)	6.1 (155)	6.1 (155)	6 / 11	5000 (2250)	5000 (2250)	6 / 11	5000 (2250)
	139 (3540)	88.4 (2245)	163.8 (4160)	187.4 (4760)	6.1 (155)	6.1 (155)	6 / 11	5000 (2250)	5000 (2250)	6 / 11	5000 (2250)
	147 (3740)	94.7 (2405)	171.7 (4360)	195.3 (4960)	6.1 (155)	6.1 (155)	6 / 11	5000 (2250)	5000 (2250)	6 / 11	5000 (2250)
Full Free-Lift 2-Stage (FV)	159 (4040)	102.2 (2595)	183.5 (4660)	207.1 (5260)	6.1 (155)	6.1 (155)	6 / 11	5000 (2250)	5000 (2250)	6 / 11	5000 (2250)
	119.5 (3040)	78.5 (1995)	143.5 (3645)	167.7 (4260)	55.1 (1400)	30.5 (775)	6 / 11	5000 (2250)	5000 (2250)	6 / 11	5000 (2250)
	131.5 (3340)	84.5 (2145)	151.4 (3845)	179.5 (4560)	61 (1550)	36.4 (925)	6 / 11	5000 (2250)	5000 (2250)	6 / 11	5000 (2250)
Full Free-Lift 3-Stage (FSV)	139 (3540)	88.4 (2245)	163.2 (4145)	187.4 (4760)	65 (1650)	40.4 (1025)	6 / 11	5000 (2250)	5000 (2250)	6 / 11	5000 (2250)
	159 (4040)	74.6 (1895)	181.5 (4610)	206.7 (5250)	52.4 (1330)	26.6 (675)	6 / 6	5000 (2250)	5000 (2250)	6 / 6	5000 (2250)
	170.5 (4340)	78.5 (1995)	193.3 (4910)	218.5 (5550)	56.3 (1430)	30.5 (775)	6 / 6	5000 (2250)	5000 (2250)	6 / 6	5000 (2250)
	189 (4800)	84.5 (2145)	211.4 (5370)	236.6 (6010)	62.2 (1580)	36.4 (915)	6 / 6	3950 (1800)	4850 (2200)	6 / 6	4950 (2250)
	198 (5040)	88.4 (2245)	220.9 (5610)	246.1 (6250)	66.1 (1680)	40.4 (1015)	6 / 6	3550 (1600)	4500 (2050)	6 / 6	4850 (2200)
	218 (5540)	94.7 (2405)	240.6 (6110)	265.7 (6750)	72.4 (1840)	46.7 (1185)	6 / 6	2850 (1300)	3850 (1750)	6 / 6	4500 (2050)
	237.5 (6040)	102.2 (2595)	260.2 (6610)	285.4 (7250)	79.9 (2030)	54.2 (1375)	6 / 6	2000 (900)	2550 (1150)	6 / 6	3500 (1600)
	257.5 (6540)	112 (2845)	279.9 (7110)	305.1 (7750)	89.8 (2280)	64 (1625)	—	—	—	6 / 6	3200 (1450)
277 (7040)	121.9 (3095)	299.6 (7610)	324.8 (8250)	99.6 (2530)	73.9 (1875)	—	—	—	6 / 6	2500 (1150)	
Full Free-Lift 4-Stage (QFV)	240 (6100)	84.8 (2155)	263.4 (6690)	289.4 (7350)	61 (1550)	35 (895)	6 / 3	—*	3800 (1720)	6 / 3	—
	258 (6600)	90.7 (2305)	281.5 (7150)	307.5 (7810)	67 (1700)	41 (1045)	6 / 3	—*	—*	6 / 3	—

¹ Height of standard load backrest is 48" (1220 mm).

* Please submit a TSDR for capacity.

Wide tread standard for all models with a 189" & higher FSV mast. Wide tread deduct option (G00F) will configure back to narrow tread.

High-lift SAS active mast functions not available on 80V mast.

Must have Dual Drive Tires (F00C) at extra cost for 258 FSV, 277 FSV.

MAST SPECIFICATIONS

MAST TYPE	MAXIMUM FORK HEIGHT (TOP OF FORKS)	OVERALL HEIGHT				FREE-LIFT		SINGLE TIRE			DUAL TIRE	
		LOWERED	EXTENDED		WITHOUT LOAD BACKREST	WITH STANDARD LOAD BACKREST ¹	TILT RANGE	LOAD CAPACITY AT 24 IN. (610 MM) LOAD CENTER		TILT RANGE	LOAD CAPACITY AT 24 IN. (610 MM) LOAD CENTER	
			WITHOUT LOAD BACKREST	WITH STANDARD LOAD BACKREST ¹				FWD / BWD	NARROW TREAD			WIDE TREAD
	in (mm)	in (mm)	in (mm)	in (mm)	in (mm)	in (mm)	deg	lb (kg)	lb (kg)	deg	lb (kg)	
8FGU30 / 8FDU30												
Wide Visible (V)	80.5 (2045)	59.6 (1515)	108.3 (2750)	128.5 (3265)	5.3 (135)	5.3 (135)	6 / 11	6000 (2700)	6000 (2700)	6 / 11	6000 (2700)	
	119.5 (3045)	79.3 (2015)	147.6 (3750)	167.9 (4265)	5.3 (135)	5.3 (135)	6 / 11	6000 (2700)	6000 (2700)	6 / 11	6000 (2700)	
	131.5 (3345)	85 (2165)	159.4 (4050)	179.7 (4565)	5.3 (135)	5.3 (135)	6 / 11	6000 (2700)	6000 (2700)	6 / 11	6000 (2700)	
	139.5 (3545)	89.2 (2265)	167.3 (4250)	187.6 (4765)	5.3 (135)	5.3 (135)	6 / 11	6000 (2700)	6000 (2700)	6 / 11	6000 (2700)	
	147 (3745)	95.5 (2425)	175.2 (4450)	195.5 (4965)	5.3 (135)	5.3 (135)	6 / 11	6000 (2700)	6000 (2700)	6 / 11	6000 (2700)	
	159 (4045)	103 (2615)	187 (4750)	207.3 (5265)	5.3 (135)	5.3 (135)	6 / 11	6000 (2700)	6000 (2700)	6 / 11	6000 (2700)	
Full Free-Lift 2-Stage (FV)	119.5 (3045)	79.3 (2015)	144.1 (3660)	167.9 (4265)	55.1 (1400)	31.3 (795)	6 / 11	6000 (2700)	6000 (2700)	6 / 11	6000 (2700)	
	131.5 (3345)	85.0 (2165)	155.9 (3960)	179.7 (4565)	61 (1550)	37.2 (945)	6 / 11	6000 (2700)	6000 (2700)	6 / 11	6000 (2700)	
	139.5 (3545)	89.2 (2265)	163.8 (4160)	187.6 (4765)	65 (1650)	41.2 (1045)	6 / 11	6000 (2700)	6000 (2700)	6 / 11	6000 (2700)	
Full Free-Lift 3-Stage (FSV)	159 (4045)	79.3 (2015)	183.5 (4660)	207.3 (5265)	55.1 (1400)	31.3 (795)	6 / 6	6000 (2750)	6000 (2750)	6 / 6	6000 (2750)	
	171 (4345)	85.2 (2165)	195.3 (4960)	219.1 (5565)	61 (1550)	37.2 (945)	6 / 6	6000 (2750)	6000 (2750)	6 / 6	6000 (2750)	
	187 (4750)	89.2 (2265)	211.0 (5360)	235 (5970)	65 (1650)	41.2 (1045)	6 / 6	6000 (2750)	6000 (2750)	6 / 6	6000 (2750)	
	198.5 (5045)	95.5 (2425)	222.8 (5660)	246.7 (6265)	71.3 (1810)	47.5 (1205)	6 / 6	5600 (2550)	5800 (2650)	6 / 6	6000 (2700)	
	218 (5545)	103 (2615)	242.5 (6160)	266.3 (6765)	78.7 (2000)	55 (1395)	6 / 6	4200 (1900)	5300 (2400)	6 / 6	5600 (2550)	
	237.5 (6045)	112.8 (2865)	262.2 (6660)	286 (7265)	88.6 (2250)	64.8 (1645)	6 / 6	3100 (1400)	3500 (1600)	6 / 6	4300 (1950)	
	257.5 (6545)	122.6 (3115)	281.9 (7160)	305.7 (7765)	98.4 (2500)	74.6 (1895)	—	—	—	6 / 6	3500 (1600)	
	277 (7045)	132.5 (3365)	301.6 (7660)	325.4 (8265)	108.3 (2750)	84.5 (2145)	—	—	—	6 / 6	2600 (1200)	
Full Free-Lift 4-Stage (QFV)	240 (6100)	84.8 (2155)	263.4 (6690)	289.4 (7350)	61 (1550)	35 (895)	6 / 3	—*	4900 (2220)	6 / 3	—	
	258 (6600)	90.7 (2305)	281.5 (7150)	307.5 (7810)	67 (1700)	41 (1045)	6 / 3	—*	—*	6 / 3	—	

MAST TYPE	MAXIMUM FORK HEIGHT (TOP OF FORKS)	OVERALL HEIGHT				FREE-LIFT		SINGLE TIRE			DUAL TIRE	
		LOWERED	EXTENDED		WITHOUT LOAD BACKREST	WITH STANDARD LOAD BACKREST ¹	TILT RANGE	LOAD CAPACITY AT 24 IN. (610 MM) LOAD CENTER		TILT RANGE	LOAD CAPACITY AT 24 IN. (610 MM) LOAD CENTER	
			WITHOUT LOAD BACKREST	WITH STANDARD LOAD BACKREST ¹				FWD / BWD	NARROW TREAD			WIDE TREAD
	in (mm)	in (mm)	in (mm)	in (mm)	in (mm)	in (mm)	deg	lb (kg)	lb (kg)	deg	lb (kg)	
8FGU32 / 8FDU32												
Wide Visible (V)	80.5 (2045)	59.6 (1515)	108.3 (2750)	128.5 (3265)	5.3 (135)	5.3 (135)	6 / 11	6500 (3000)	6500 (3000)	6 / 11	6500 (3000)	
	119.5 (3045)	79.3 (2015)	147.6 (3750)	167.9 (4265)	5.3 (135)	5.3 (135)	6 / 11	6500 (3000)	6500 (3000)	6 / 11	6500 (3000)	
	131.5 (3345)	85 (2165)	159.4 (4050)	179.7 (4565)	5.3 (135)	5.3 (135)	6 / 11	6500 (3000)	6500 (3000)	6 / 11	6500 (3000)	
	139.5 (3545)	89.2 (2265)	167.3 (4250)	187.6 (4765)	5.3 (135)	5.3 (135)	6 / 11	6500 (3000)	6500 (3000)	6 / 11	6500 (3000)	
	147 (3745)	95.5 (2425)	175.2 (4450)	195.5 (4965)	5.3 (135)	5.3 (135)	6 / 11	6500 (3000)	6500 (3000)	6 / 11	6500 (3000)	
	159 (4045)	103 (2615)	187 (4750)	207.3 (5265)	5.3 (135)	5.3 (135)	6 / 11	6500 (3000)	6500 (3000)	6 / 11	6500 (3000)	
Full Free-Lift 2-Stage (FV)	119.5 (3045)	79.3 (2015)	149.2 (3790)	167.9 (4265)	50 (1270)	31.3 (795)	6 / 11	6500 (3000)	6500 (3000)	6 / 11	6500 (3000)	
	131.5 (3345)	85.0 (2165)	161.0 (4090)	179.7 (4565)	55.9 (1420)	37.2 (945)	6 / 11	6500 (3000)	6500 (3000)	6 / 11	6500 (3000)	
	139.5 (3545)	89.2 (2265)	168.3 (4290)	187.6 (4765)	59.8 (1520)	41.2 (1045)	6 / 11	6500 (3000)	6500 (3000)	6 / 11	6500 (3000)	
Full Free-Lift 3-Stage (FSV)	159 (4045)	79.3 (2015)	188.6 (4790)	207.3 (5265)	50 (1270)	31.3 (795)	6 / 6	6500 (3000)	6500 (3000)	6 / 6	6500 (3000)	
	171 (4345)	85.2 (2165)	200.4 (5090)	219.1 (5565)	55.9 (1420)	37.2 (945)	6 / 6	6500 (3000)	6500 (3000)	6 / 6	6500 (3000)	
	187 (4750)	89.2 (2265)	216.1 (5490)	235 (5970)	59.8 (1520)	41.2 (1045)	6 / 6	6500 (3000)	6500 (3000)	6 / 6	6500 (3000)	
	198.5 (5045)	95.5 (2425)	228.0 (5790)	246.7 (6265)	66.1 (1680)	47.5 (1205)	6 / 6	5750 (2600)	6400 (2900)	6 / 6	6500 (2950)	
	218 (5545)	103 (2615)	247.6 (6290)	266.3 (6765)	73.6 (1870)	55 (1395)	6 / 6	4200 (1900)	5500 (2500)	6 / 6	5800 (2650)	
	237.5 (6045)	112.8 (2865)	267.3 (6790)	286 (7265)	83.5 (2120)	64.8 (1645)	6 / 6	3300 (1500)	4000 (1800)	6 / 6	4500 (2050)	
	257.5 (6545)	122.6 (3115)	287.0 (7290)	305.7 (7765)	93.3 (2370)	74.6 (1895)	—	—	—	6 / 6	3500 (1600)	
	277 (7045)	132.5 (3365)	306.7 (7790)	325.4 (8265)	103.1 (2620)	84.5 (2145)	—	—	—	6 / 6	2300 (1050)	
Full Free-Lift 4-Stage (QFV)	240 (6100)	84.8 (2155)	263.4 (6690)	289.4 (7350)	61 (1550)	35 (895)	6 / 3	—	3800 (1720)	6 / 3	—	
	258 (6600)	90.7 (2305)	281.5 (7150)	307.5 (7810)	67 (1700)	40 (1010)	6 / 3	—	3200 (1450)	6 / 3	—	

¹ Height of standard load backrest is 48" (1220 mm).
 * Please submit a TSDR for capacity.
 High-lift SAS active mast functions not available on 80V mast.
 Must have Dual Drive Tires (FOOC) at extra cost for 258 FSV, 277 FSV.



TOYOTA

1-800-422-2407

TOYOTA

SAS

TOYOTA

PREMIUM PRODUCTS
Spec Concrete 3000

Some product features described herein are optional. Please consult your dealer for specifications.
Details of specifications and equipment are based on information available at time of printing and may change without notice.



INDUSTRIAL EQUIPMENT

REACH NEW HEIGHTS

007228FGU1532SS

©2016 Toyota Material Handling, U.S.A., Inc.