

LARGE ELECTRIC

 **TOYOTA**

INDUSTRIAL EQUIPMENT

REACH NEW HEIGHTS

8000 - 12000 LBS.

SPECIFICATIONS



7FBCU35-55

CLASS

1

ELECTRIC MOTOR RIDERS

ToyotaForklift.com

LARGE ELECTRIC

CAPACITY
8000 - 12000 LBS.

MAXIMUM FORK HEIGHT
239 IN.

LOAD CENTER
24 IN.

INDUSTRIES



Beverage



Factory



Food Processing



Food Storage



General
Manufacturing



General
Warehousing



Retail

STANDARD FEATURES

SAFETY

- System of Active Stability™ (SAS)
 - Active control rear stabilizer
 - Active mast function controller
- Operator Presence Sensing System (OPSS)
 - Key lowering interlock
 - Double-action parking brake
- Asbestos-free brakes
- Electric horn
- Manual return to neutral

PERFORMANCE

- AC drive system (MOSFET Transistor)
- UL-approved model type “E”
- Three forms of energy regeneration
 - Coast control
 - Plug braking
 - Foot braking
- Load handling chopper
- Digital multifunction display
 - Time & date
 - Speedometer
 - Multifunction hour meter
 - Battery capacity indicator
 - Parking brake indicator
 - Overdischarge warning (lift interrupt)
 - Swing lock cylinder indicator
- Built-in analyzer
- Self-diagnostics
- Power select functions (S.P.H.)
- 3-way hydraulic control valve
- Auto shut-off (after 15 minutes)
- Travel power control (acceleration)

BODY/EXTERIOR DESIGN

- Wide-view 2-stage mast (V)
- Punched plate entry/exit step
- 48" load backrest extension¹
 - With angled tie bar
- 54" load backrest extension²
 - With angled tie bar
- Tapered forks
- Cushion tires (treaded)
- Wide-view carriage bars
- Drawbar pin
- Tie-down hooks
- Adjustable front headlights
- ORS vinyl non-suspension seat
- Retractable seatbelt
- 85° wide-opening battery hood
- Overhead guard
- SB 350 battery connector (gray)
- 39.2" battery compartment (8000 - 10000 lbs.)
- 45.7" battery compartment (12000 lbs.)

OPERABILITY & ERGONOMICS

- Strategically configured instrument display
- Hydrostatic power steering
- Dual operator assist grips
- SAS automatic fork-leveling control
- Electric directional shift control
- Memory-tilt steering column
- Two-spoke steering wheel
- Cowl-mounted hydraulic controls
- Heavy-duty non-slip floor mat
- Dash-integrated pen/pencil holder
- Hood-integrated clipboard
- Dash-mounted cup holder

SERVICEABILITY

- AC drive motor (no brushes or commutator)
- Easy-access hydraulic motor
- Bolt-on overhead guard
- Easy-access no tools required floorboard
- Battery compartment hood assist dampers
- Planned maintenance indicator
- Easy-access controller

¹ Standard on 7FBCU35-45.
² Standard on 7FBCU55.

OPTIONAL EQUIPMENT

LOAD HANDLING

- Wide visible mast (V)
- Full free-lift 2-stage mast (FV)
- Full free-lift 3-stage mast (FSV)
- Tilt cylinder boots
- Tapered forks¹
- Fully tapered & polished forks¹
- Fork bar (wide carriage)¹
- High load backrest¹
- Side hosing termination⁶
- Less mast & forks⁶
- Less forks
- Less backrest

LOAD HANDLING (HOSE & VALVE ASSEMBLY)

- 3-way valve (multiple options available)
- Cascade sideshifter⁶
- 4-way valve (multiple options available)⁶
- Hydraulic quick disconnects (dual)⁶

LIGHTS & INDICATORS

- Front combination lights
- LED front headlights²
- Rear combination lights
- Rear working light
- LED work light⁶
- Operator compartment light
- Strobe light (multiple options available)
- LED strobe light (multiple options available)⁶
- Adjustable volume back up alarm (smart alarm)⁶
- Back up chime⁶
- Fire extinguisher (including bracket)⁶
- Fire extinguisher 5 lb. upgrade (including bracket)⁶

BODY

- Rearview mirrors (left & right sides)⁶
- Plastic mirrors⁶
- Battery slide-out
- Battery compartment side panels⁶
- Pencil/tape holder
- Keyless ignition
- 12-Volt power supply
- Anti-static strap⁶
- Steering wheel with knob
- ORS semi-suspension seat (multiple options available)⁶
- Vinyl ORS Araco seat (multiple options available)⁶
- ORS 4-way adjustable seat (8 series style, multiple options available)⁶
- Orange seatbelt⁶
- Special paint (one or two color only)³
- Cloth 20° swivel seat (requires option code G40C)⁶
- Polycarbonate OHG cover
- Optional battery connector colors (multiple options available)

CHASSIS

- Motor brush wear/overheat protection device⁴
- Seat brake⁶
- EZ Pedal (foot directional control)
- Wide tire & wide tread (front)⁵
- French decals

WHEELS & TIRES

- Treaded, non-marking tires (front & rear)⁶
- Smooth tires (front & rear)⁶
- Smooth, white, non-marking tires (front & rear)⁶
- Smooth, non-marking tires (front & rear)⁶

SPECIAL MODEL

- UL-approved model
 - Type "EE"
 - Type "ES"⁶
- Cold storage model
 - Type "20S"⁶
- 48-Volt model

¹ Please refer to tables for size availability.

² This option voids the UL rating.

³ Requires paint code & paint map.

⁴ Standard on type "EE" (30-model #).

⁵ FSV mast only.

⁶ Refer to FL Manual for option conflicts.

TRUCK SPECIFICATIONS

MODEL NUMBERS

GENERAL DATA				7FBCU35		7FBCU45		7FBCU55	
Load Capacity		lb (kg)		8000 (3500)		10000 (4500)		12000 (5500)	
Power Type (battery)	Voltage	V		36	48	36	48	36	48
Operator Position	Seated Rider				Seated Rider		Seated Rider		
Tire Type	Front / Rear	Cushion / Cushion				Cushion / Cushion		Cushion / Cushion	
Wheels (x = driven)	Front / Rear	2x / 2				2x / 2		2x / 2	
EXTERIOR DIMENSIONS				7FBCU35		7FBCU45		7FBCU55	
A Maximum Fork Height (top of forks)		in (mm)		120 (3050)		120 (3050)		120.6 (3065)	
B Free-Lift (top of forks)		in (mm)		4.3 (110)		4.3 (110)		4.9 (125)	
C Fork Size (T x W x L)		in (mm)		2 x 6 x 42 (50 x 150 x 1070)		2 x 6 x 42 (50 x 150 x 1070)		2.6 x 6 x 48 (65 x 150 x 1220)	
D Tilt Range (forward / backward)		deg		5 / 6		5 / 6		5 / 6	
E Length to Fork Face		in (mm)		98.8 (2510)		103.5 (2630)		113 (2870)	
F Overall Width		in (mm)		47.6 (1210)		53.1 (1350)		53.1 (1350)	
G Mast Lowered Height		in (mm)		81.1 (2060)		83.0 (2110)		84.6 (2150)	
H Mast Extended Height (top of load backrest)		in (mm)		168.1 (4270)		168.1 (4270)		174.6 (4435)	
I Overhead Guard Height		in (mm)		91.9 (2330)		92.1 (2340)		95.3 (2420)	
J Turning Radius (outside)		in (mm)		84.3 (2140)		87.6 (2225)		96.1 (2440)	
K Load Distance ¹		in (mm)		18.3 (465)		19 (485)		20.9 (530)	
L Basic Right-Angle Stacking Aisle Width ²		in (mm)		102.6 (2605)		106.7 (2710)		116.9 (2970)	
PERFORMANCE DATA				7FBCU35		7FBCU45		7FBCU55	
				36V	48V	36V	48V	36V	48V
Speeds ³	Maximum Travel (fwd. / rev.)	Full Load	mph (km/h)	8.4 (13.5)	10.9 (17.5)	7.8 (12.5)	10.9 (17.5)	7.5 (12)	9.0 (14.5)
		No Load	mph (km/h)	9.3 (15)	11.2 (18)	9.0 (14.5)	11.2 (18)	8.1 (13)	9.3 (15)
	Lifting	Full Load	fpm (mm/sec)	51.2 (260)	72.9 (370)	43 (220)	57 (290)	30 (150)	53 (265)
		No Load	fpm (mm/sec)	90.6 (460)	118.1 (600)	69 (350)	89 (450)	53 (270)	81 (405)
	Lowering	Full Load	fpm (mm/sec)	98 (500)		98 (500)		98 (500)	
		No Load	fpm (mm/sec)	108 (550)		98 (500)		108 (550)	
Drawbar Pull	Full Load / No Load	3-Min. Rating	lb (kg)	3800 (1720) / 3410 (1550)		3650 (1660) / 3280 (1490)		4780 (2170) / 4570 (2070)	
		3-Min. Rating	lb (kg)	3800 (1720) / 3410 (1550)		3650 (1660) / 3280 (1490)		4780 (2170) / 4570 (2070)	
		60-Min. Rating	lb (kg)	1860 (850) / 1980 (900)		1760 (800) / 1900 (860)		2320 (1050) / 2490 (1130)	
Gradeability*	Full Load / No Load	3-Min. Rating	%	16 / 22		13 / 18		14 / 20	
		3-Min. Rating	%	16 / 22		13 / 18		14 / 20	
		60-Min. Rating	%	7 / 13		5 / 10		6 / 11	
TRUCK WEIGHTS				7FBCU35		7FBCU45		7FBCU55	
Total Weight		lb (kg)		10450 (4740)		12570 (5695)		15010 (6805)	
Weight Distribution ⁴	Full Load (front / rear)	lb (kg)		19350 (8535) / 2500 (1245)		22710 (10210) / 3460 (1620)		27460 (12515) / 3780 (1710)	
	No Load (front / rear)	lb (kg)		5820 (2640) / 8030 (3640)		5670 (2570) / 10500 (4760)		7730 (3505) / 11510 (5220)	
TIRES				7FBCU35		7FBCU45		7FBCU55	
Tires	Number (front / rear)			2 / 2		2 / 2		2 / 2	
	Size	Front		22 x 9 x 16		22 x 12 x 16		28 x 10 x 22	
Rear			18 x 6 x 12-1/8		18 x 7 x 12-1/8		18 x 8 x 12-1/8		
Wheelbase		in (mm)		61.2 (1555)		61.2 (1555)		69.7 (1770)	
Tread Width (front / rear)		in (mm)		38.6 (980) / 41.3 (1050)		41.1 (1045) / 42.4 (1080)		42.9 (1090) / 43.5 (1105)	
Underclearance (full load)	Minimum Mast	in (mm)		3.1 (80)		3.1 (80)		3.1 (80)	
	Center of Wheelbase	in (mm)		4.7 (120)		4.9 (125)		5.1 (130)	
Brake	Service (foot) / Parking Brake			Hydraulic / Hand		Hydraulic / Hand		Hydraulic / Hand	
POWER SYSTEM				7FBCU35		7FBCU45		7FBCU55	
				36V	48V	36V	48V	36V	48V
Battery	Voltage / Capacity (STD)	V / Ah		36 / 1360	48 / 1105	36 / 1360	48 / 1105	36 / 1700	48 / 1360
	6-Hour Ratings (high)	V / Ah		36 / 1760	48 / 1430	36 / 1760	48 / 1430	36 / 2200	48 / 1760
Electric Motors	Drive (dual)	kW		9.7 x 2	13.2 x 2	9.7 x 2	13.2 x 2	9.7 x 2	13.2 x 2
	Load Handling	kW		9.2	12.8	9.2	12.8	9.2	12.8
Control Type	Drive	Transistor Invertor			Transistor Invertor		Transistor Invertor		
	Load Handling	Transistor Chopper			Transistor Chopper		Transistor Chopper		
	Power Steering	Transistor Chopper			Transistor Chopper		Transistor Chopper		
Auxiliary Hydraulic Function Specifications (for attachments) ⁵	Max. Operating Pressure	psi (kg/cm ²)		2630 (185)		2630 (185)		2630 (185)	
	Max. Flow Rate with Chopper	gpm (lpm)		Reference Page I-B-30 in the FL Manual for Flow & Pressure Specifications Chart					

* Computed values.

1 At centerline of front axle to front face of forks.

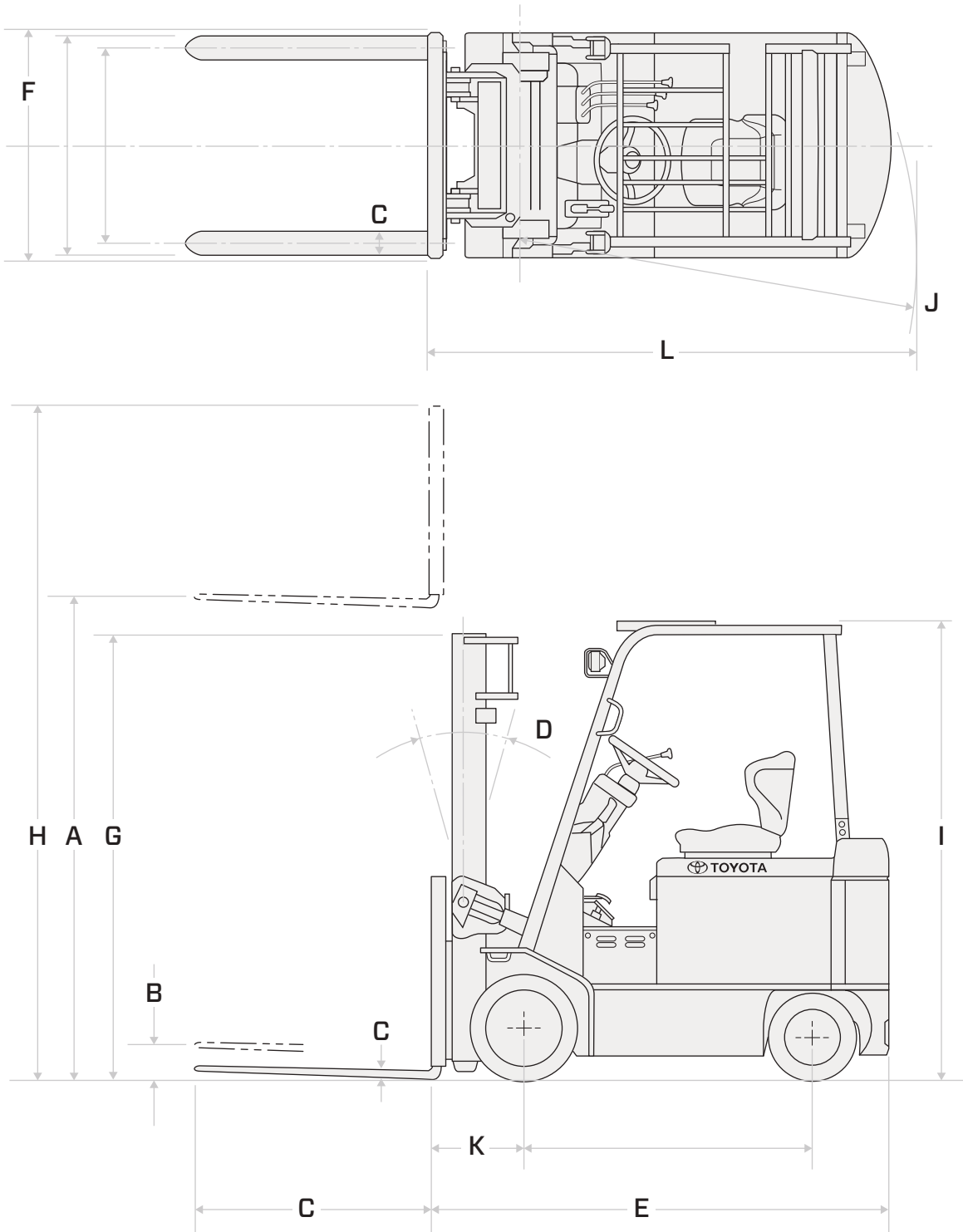
2 Add load length & clearance.

3 Reference page I-B-30 in the FL Manual for S & P mode travel speeds (loaded & unloaded).

4 With standard battery.

5 Values taken at Hydraulic Control Valve. Does not take in to consideration losses through mast plumbing (hosing, fittings, QDs, etc.).

EXTERIOR DIMENSIONS



MAST SPECIFICATIONS

MAST TYPE	MAXIMUM FORK HEIGHT (TOP OF FORKS)	OVERALL HEIGHT			FREE-LIFT		SINGLE TIRE				
		LOWERED	EXTENDED		WITHOUT LOAD BACKREST	WITH STANDARD LOAD BACKREST ¹	TILT RANGE		LOAD CAPACITY AT 24 IN. (610 MM) LOAD CENTER		
			WITHOUT LOAD BACKREST	WITH STANDARD LOAD BACKREST ¹			FWD	BWD	NARROW TREAD	WIDE TREAD	
		in (mm)	in (mm)	in (mm)	in (mm)	in (mm)	in (mm)	deg	deg	lb (kg)	lb (kg)
7FBCU35											
Wide Visible (V)	120 (3050)	81.1 (2060)	149.6 (3800)	168.1 (4270)	4.3 (110)	4.3 (110)	5	6	8000 (3500)	8000 (3500)	
	132 (3350)	88.2 (2240)	161.4 (4100)	179.9 (4570)	4.3 (110)	4.3 (110)	5	6	8000 (3500)	8000 (3500)	
	140 (3550)	92.1 (2340)	169.3 (4300)	187.8 (4770)	4.3 (110)	4.3 (110)	5	6	8000 (3500)	8000 (3500)	
	147.5 (3750)	96.1 (2440)	177.2 (4500)	195.7 (4970)	4.3 (110)	4.3 (110)	5	6	8000 (3500)	8000 (3500)	
	179 (4550)	115.8 (2940)	208.7 (5300)	227.2 (5770)	4.3 (110)	4.3 (110)	5	6	8000 (3500)	8000 (3500)	
Full Free-Lift 2-Stage (FV)	120 (3050)	81.1 (2060)	150.8 (3830)	168.1 (4270)	50.4 (1280)	33.1 (840)	5	6	8000 (3500)	8000 (3500)	
	132 (3350)	88.2 (2240)	162.6 (4130)	179.9 (4570)	57.5 (1460)	40.2 (1020)	5	6	8000 (3500)	8000 (3500)	
Full Free-Lift 3-Stage (FSV)	159.5 (4050)	76.4 (1940)	190.9 (4850)	207.5 (5270)	44.9 (1140)	28.4 (720)	5	5	8000 (3500)	8000 (3500)	
	171.5 (4350)	81.1 (2060)	202.8 (5150)	219.3 (5570)	49.6 (1260)	33.1 (840)	5	5	8000 (3500)	8000 (3500)	
	187 (4750)	88.2 (2240)	218.5 (5550)	235 (5970)	56.7 (1440)	40.2 (1020)	5	5	8000 (3500)	8000 (3500)	
	199 (5050)	92.1 (2340)	230.3 (5850)	246.9 (6270)	60.6 (1540)	44.1 (1120)	5	5	7730 (3500)	7730 (3500)	
	218.5 (5550)	98 (2490)	250 (6350)	266.5 (6770)	66.5 (1690)	50 (1270)	5	5	7470 (3400) ²	7470 (3400) ³	
	238 (6050)	105.9 (2690)	269.7 (6850)	286.2 (7270)	74.4 (1890)	57.9 (1470)	5	5	N/A	7000 (3150) ³	

MAST TYPE	MAXIMUM FORK HEIGHT (TOP OF FORKS)	OVERALL HEIGHT			FREE-LIFT		SINGLE TIRE				
		LOWERED	EXTENDED		WITHOUT LOAD BACKREST	WITH STANDARD LOAD BACKREST ¹	TILT RANGE		LOAD CAPACITY AT 24 IN. (610 MM) LOAD CENTER		
			WITHOUT LOAD BACKREST	WITH STANDARD LOAD BACKREST ¹			FWD	BWD	NARROW TREAD	WIDE TREAD	
		in (mm)	in (mm)	in (mm)	in (mm)	in (mm)	in (mm)	deg	deg	lb (kg)	lb (kg)
7FBCU45											
Wide Visible (V)	120 (3050)	83.1 (2110)	152 (3860)	168.1 (4270)	4.3 (110)	4.3 (110)	5	6	10000 (4500)	N/A	
	132 (3350)	92.1 (2340)	163.8 (4160)	179.9 (4570)	4.3 (110)	4.3 (110)	5	6	10000 (4500)	N/A	
	140 (3550)	96.1 (2440)	171.7 (4360)	187.8 (4770)	4.3 (110)	4.3 (110)	5	6	10000 (4500)	N/A	
	147.5 (3750)	100 (2540)	179.5 (4560)	195.7 (4970)	4.3 (110)	4.3 (110)	5	6	10000 (4500)	N/A	
	179 (4550)	115.8 (2940)	211 (5360)	227.2 (5770)	4.3 (110)	4.3 (110)	5	6	10000 (4500)	N/A	
Full Free-Lift 2-Stage (FV)	120 (3050)	83.1 (2110)	152.2 (3865)	168.1 (4270)	51 (1295)	35 (890)	5	6	10000 (4500)	N/A	
	132 (3350)	92.1 (2340)	164 (4165)	179.9 (4570)	60 (1525)	44.1 (1120)	5	6	10000 (4500)	N/A	
Full Free-Lift 3-Stage (FSV)	159.5 (4050)	81.1 (2060)	191.5 (4865)	207.5 (5270)	49 (1245)	33.1 (840)	5	5	10000 (4500)	N/A	
	171.5 (4350)	85.6 (2175)	203.4 (5165)	219.3 (5570)	53.5 (1360)	37.6 (955)	5	5	10000 (4500)	N/A	
	187 (4750)	92.1 (2340)	219.1 (5565)	235 (5970)	60 (1525)	44.1 (1120)	5	5	10000 (4500)	N/A	
	199 (5050)	98 (2490)	230.9 (5865)	246.9 (6270)	65.9 (1675)	50 (1270)	5	5	10000 (4400)	N/A	
	218.5 (5550)	105.9 (2690)	250.6 (6365)	266.5 (6770)	73.8 (1875)	57.9 (1470)	5	5	9650 (4250)	N/A	
	238 (6050)	115.8 (2940)	270.3 (6865)	286.2 (7270)	83.7 (2125)	67.7 (1720)	5	5	9000 (4110)	N/A	

MAST TYPE	MAXIMUM FORK HEIGHT (TOP OF FORKS)	OVERALL HEIGHT			FREE-LIFT		SINGLE TIRE				
		LOWERED	EXTENDED		WITHOUT LOAD BACKREST	WITH STANDARD LOAD BACKREST ¹	TILT RANGE		LOAD CAPACITY AT 24 IN. (610 MM) LOAD CENTER		
			WITHOUT LOAD BACKREST	WITH STANDARD LOAD BACKREST ¹			FWD	BWD	NARROW TREAD	WIDE TREAD	
		in (mm)	in (mm)	in (mm)	in (mm)	in (mm)	in (mm)	deg	deg	lb (kg)	lb (kg)
7FBCU55											
Wide Visible (V)	120.5 (3065)	84.7 (2150)	150.6 (3825)	174.6 (4435)	4.9 (125)	4.9 (125)	5	6	12000 (5500)	N/A	
	132.5 (3365)	90.6 (2300)	162.4 (4125)	186.4 (4735)	4.9 (125)	4.9 (125)	5	6	12000 (5500)	N/A	
	140.5 (3565)	94.5 (2400)	170.3 (4325)	194.3 (4935)	4.9 (125)	4.9 (125)	5	6	12000 (5500)	N/A	
	148 (3765)	100.4 (2550)	178.2 (4525)	202.2 (5135)	4.9 (125)	4.9 (125)	5	6	12000 (5500)	N/A	
	179.5 (4565)	118.1 (3000)	209.7 (3525)	233.7 (5935)	4.9 (125)	4.9 (125)	5	6	12000 (5500)	N/A	
Full Free-Lift 3-Stage (FSV)	160 (4065)	81.5 (2070)	187.8 (4770)	214 (5435)	53.7 (1365)	27.6 (700)	5	6	12000 (5500)	N/A	
	172 (4365)	84.7 (2150)	199.6 (5070)	225.8 (5735)	56.9 (1445)	30.7 (780)	5	6	12000 (5500)	N/A	
	187.5 (4765)	90.6 (2300)	215.4 (5470)	241.5 (6135)	62.8 (1595)	36.6 (930)	5	6	12000 (5500)	N/A	
	199.5 (5065)	94.5 (2400)	227.2 (5770)	253.4 (6435)	66.7 (1695)	40.6 (1030)	5	6	11800 (5350)	N/A	
	219 (5565)	100.4 (2550)	246.9 (6270)	273 (6935)	72.6 (1845)	46.5 (1180)	5	6	10900 (5000)	N/A	
	239 (6065)	108.3 (2750)	266.5 (6770)	292.7 (7435)	80.5 (2045)	54.3 (1380)	5	6	10000 (4550)	N/A	

1 Height of standard load backrest is 48" (1220 mm).
 2 Available as a TSDR only & subject to TIEM review.
 3 Requires option GOOG Wide Axle/Wide Tread.



AISLE
15

TOYOTA

TOYOTA

TOYOTA

Some product features described herein are optional. Please consult your dealer for specifications.
Details of specifications and equipment are based on information available at time of printing and may change without notice.



INDUSTRIAL EQUIPMENT

REACH NEW HEIGHTS

007227FBCU3555SS

©2016 Toyota Material Handling, U.S.A., Inc.