

80V ELECTRIC PNEUMATIC

 **TOYOTA**
INDUSTRIAL EQUIPMENT
REACH NEW HEIGHTS

4,000 - 7,000 LBS

SPECIFICATIONS



8FBMKT 20-30 | 8FBMT 20-35

CLASS

1

ELECTRIC MOTOR RIDERS

ToyotaForklift.com

80V ELECTRIC PNEUMATIC

CAPACITY

4,000 - 7,000 LBS

WHEELBASE

62 - 68 IN

LOAD CENTER

24 IN

INDUSTRIES



Brick, Block
& Pipe



Concrete



Oil & Gas



Agriculture

STANDARD FEATURES

SAFETY

- System of Active Stability™ (SAS)
 - Active control rear stabilizer
 - Active mast function controller
- Operator Presence Sensing System (OPSS)
- Key lowering interlock
- Electric horn
- Manual return to neutral

PERFORMANCE

- AC drive system
- AC hydraulic lift system
- Three forms of energy regeneration
 - Coast control
 - Plug braking
 - Foot braking
- Digital (LCD) multifunction display
 - Time & date
 - Speedometer
 - Multifunction hour meter
 - Battery capacity indicator
 - Over discharge warning (lift interrupt)
 - Parking brake indicator
- Low speed setting switch
- Direction indicator
- Maximum speed limiter
- Built-in analyzer
- Self-diagnostics
- Power select functions (S.P.H.)

BODY/EXTERIOR DESIGN

- Wide view 2-stage mast (V)
- Punched plate entry/exit step
- 48" load backrest extension
- Solid pneumatic tires
- Wide view carriage bars
- Drawbar pin
- Adjustable front headlights
- ORS vinyl full-suspension seat
- Retractable non-cinching seat belt
- Wide-opening battery hood
- Bolt-on overhead guard
- Long forkbar option (see dealer for details)

OPERABILITY AND ERGONOMICS

- Strategically configured instrument display
- Hydrostatic (on demand) power steering
- Dual operator assist grips
- SAS automatic fork leveling control
- Electric directional shift control
- 11.8" diameter two-spoke steering wheel
- Seat-mounted mini-lever hydraulic controls
- Heavy-duty non-slip floor mat
- Dash integrated pen/pencil holder
- Hood integrated clip board
- Dash-mounted cup holder
- Automatic parking brake

SERVICEABILITY

- AC drive motor (no brushes or commutator)
- AC hydraulic motor (no brushes or commutator)
- Easy access no-tools floorboard
- Battery compartment hood assist
- Planned maintenance indicator
- Easy access controllers
- CAN-BUS controller wiring

OPTIONAL EQUIPMENT

LOAD HANDLING

- Wide visible mast (V)
- Full-free lift two-stage mast (FV)
- Full-free lift two-cylinder two-stage mast (FW)
- Full-free lift three-stage mast (FSV)
- Full-free lift four-cylinder three-stage mast (FSW)
- Mast shipped separately (for masts with lowered height greater than 104")
- Fully oil charged lift cylinders (includes M62A)
- Cushioned lower near floor
- Tilt cylinder boots
- Mast tilt (bottler's tilt 10° fwd/5° back)
- Tapered forks
- Fully tapered & polished forks
- Fork bar (wide carriage)
- High load backrest
- Less forks
- Less backrest

Optional Equipment, continued

LOAD HANDLING (HOSE & VALVE ASSEMBLY)

- 3 way valve (no 3rd function hosing)
- 3 way valve (with 3rd function hosing)
- 4 way valve (no 3rd & 4th function hosing)
- 4 way valve (with 3rd function hosing)
- 4 way valve (with 3rd & 4th function hosing)
- Clamp release interlock
- Cascade hang-on sideshifter
- Integral sideshifter
- Hydraulic cushioned forks
- Hydraulic accumulator
- Hydraulic quick disconnects on 3rd lever
- Hydraulic quick disconnects on 4th lever

LIGHTS AND INDICATORS

- Front combination lights (includes headlights)
- Front LED combination headlights
- Rear combination lights
- Rear LED combination light
- Rear working light
- LED rear working light
- Double rear working light
- LED double rear working light
- LED headlights
- Operator compartment light
- Strobe light, yellow (on top of OHG)
- Strobe light, yellow (on bottom of OHG)
- Rotary light, yellow (on top of OHG)
- Rotary light, yellow (on bottom of OHG)
- Deluxe display (includes tilt and load indicator)
- Back up buzzer
- Armrest horn

BODY

- Left hand shift lever
- Joy-stick hydraulic controls with ErgoShift
- Speed and acceleration control (with load)
- Double accelerator pedal (one on each side of brake pedal)
- D2 pedal layout
- Rear view mirrors (left & right sides)
- Flat internal rear view mirror
- Panoramic rear view mirror
- Drive unit protector
- Battery slide-out with side covers
- Battery low lift-out with side covers
- Battery side extraction with fork pockets and side covers
- Touch pad keyless entry system
- Rear assist grip with horn button
- Impact sensor
- Auto height select
- 24-Volt power supply (80W)
- 12-Volt power supply (80W)
- Anti-static strap
- ORS cloth (4-way) full-suspension seat
- Swivel seat
- Orange seat belt
- Raised overhead guard
- Steel cabin
- Comfort cabin with CD stereo
- Cabin without doors (includes windsheild with wiper, roof and rear glass)
- Cabin without doors for raised OHG
- Canvas cabin (includes windsheild with wiper and roof)
- Front windsheild with wiper and roof
- Overhead guard sheet
- Heater
- Sun visor
- Clipboard

WHEELS AND TIRES

- Solid pneumatic (Marangoni)
- Solid pneumatic (Continental)
- Non-marking solid pneumatic (Marangoni)
- Non-marking solid pneumatic (Continental)

SPECIAL MODEL

- Cold storage model
- Rust proof specification
- Fisherman spec model

TRUCK SPECIFICATIONS

MODEL NUMBERS

GENERAL DATA				05-8FBM20T	05-8FBMK25T	05-8FBM25T
Load Capacity		lb (kg)		4000 (2000)	5000 (2500)	5000 (2500)
Power Type	Battery			Battery	Battery	Battery
	Voltage	V		80	80	80
Operator Position				Rider Seated	Rider Seated	Rider Seated
Tire Type		Front/Rear		Solid Pneumatic	Solid Pneumatic	Solid Pneumatic
Wheels (x = driven)		Front/Rear		2x/2	2x/2	2x/2
EXTERIOR DIMENSIONS				05-8FBM20T	05-8FBMK25T	05-8FBM25T
A	Maximum Fork Height (MFH, V mast, top of forks)		in (mm)	131.5 (3340)	131.5 (3340)	131.5 (3340)
B	Free Lift (top of forks)		in (mm)	4.73 (120)	4.73 (120)	4.73 (120)
C	Fork Size (T x W x L)		in (mm)	1.6 x 5 x 42 (40 x 125 x 1070)	1.6 x 5 x 42 (40 x 125 x 1070)	1.6 x 5 x 42 (40 x 125 x 1070)
D	Tilt Range (forward/backward)		deg	4.5/8	4.5/8	4.5/8
E	Length to Fork Face		in (mm)	89.9 (2284)	89.9 (2284)	95.6 (2429)
F	Overall Width		in (mm)	47 (1195)	47 (1195)	47 (1195)
G	Mast Lowered Height		in (mm)	88 (2235)	88 (2235)	88 (2235)
H	Mast Extended Height (top of load backrest)		in (mm)	179.5 (4559)	179.5 (4559)	179.5 (4559)
I	Overhead Guard Height		in (mm)	87.2 (2215)	87.2 (2215)	87.2 (2215)
J	Turning Radius (outside)		in (mm)	78.9 (2003)	78.9 (2003)	84.2 (2138)
K	Load Distance (centerline of front axle to front face of forks)		in (mm)	16.5 (420)	16.5 (420)	16.5 (420)
	Basic Right Angle Stacking Aisle Width (add load length and clearance)		in (mm)	137.5 (3493)	137.5 (3493)	142.8 (3628)
PERFORMANCE DATA				05-8FBM20T	05-8FBMK25T	05-8FBM25T
Speeds	Travel, Maximum (forward/reverse)	Full Load	mph (km/h)	11.8 (19)	11.8 (19)	11.8 (19)
		No Load	mph (km/h)	12.4 (20)	12.4 (20)	12.4 (20)
	Lifting	Full Load	fpm (mm/sec)	96 (490)	91 (460)	91 (460)
		No Load	fpm (mm/sec)	124 (630)	124 (630)	124 (630)
	Lowering	Full Load	fpm (mm/sec)	106 (540)	100 (510)	100 (510)
		No Load	fpm (mm/sec)	86 (435)	94 (480)	94 (480)
Drawbar Pull	5-Minute Ratings		lbf (N)	4271 (19000)	4271 (19000)	4271 (19000)
	60-Minute Ratings		lbf (N)	2001 (8900)	2001 (8900)	2001 (8900)
Gradeability*	5-Minute Ratings		% (tan θ)	26 / 29	25 / 29	24 / 29
	30-Minute Ratings		% (tan θ)	17 / 29	16 / 28	15 / 25
TRUCK WEIGHTS				05-8FBM20T	05-8FBMK25T	05-8FBM25T
Total Weight without Battery		lb (kg)		9855 (4470)	10038 (4553)	10602 (4809)
Weight Distribution (with standard battery)	Full Load	Front	lb (kg)	11576 (5251)	13210 (5992)	13320 (6042)
		Rear	lb (kg)	2277 (1033)	1828 (829)	2282 (1035)
	No Load	Front	lb (kg)	4568 (2072)	4960 (2250)	4941 (2241)
		Rear	lb (kg)	4687 (2126)	4894 (2220)	5097 (2312)
TIRES				05-8FBM20T	05-8FBMK25T	05-8FBM25T
Tires	Number (front/rear)			2/2	2/2	2/2
	Size	Front		23 x 9 - 10	23 x 9 - 10	23 x 9 - 10
Rear			18 x 7 - 8	18 x 7 - 8	18 x 7 - 8	
Wheelbase			in (mm)	62 (1575)	62 (1575)	67.7 (1720)
Tread	Front	in (mm)	38.8 (986)	38.8 (986)	38.8 (986)	
	Rear	in (mm)	37 (940)	37 (940)	37 (940)	
Underclearance (full load)	Minimum <Mast>		in (mm)	3.7 (95)	3.7 (95)	3.7 (95)
	Center of Wheelbase		in (mm)	4.5 (115)	4.5 (115)	4.5 (115)
Brake	Service (foot)			Hydraulic	Hydraulic	Hydraulic
	Parking (hand)			Mechanical	Mechanical	Mechanical
POWER SYSTEM				05-8FBM20T	05-8FBMK25T	05-8FBM25T
Battery (5-hour rating)		V/Ah		80/20	80/560	80/700
Electric Motors	Drive	hp (kW)	26.8 (20)	26.8 (20)	26.8 (20)	
	Load Handling	hp (kW)	34.2 (25.5)	34.2 (25.5)	34.2 (25.5)	
Control Type	Drive			Transistor Invertor	Transistor Invertor	Transistor Invertor
	Load Handling			Transistor Invertor	Transistor Invertor	Transistor Invertor
	Power Steering			Transistor Invertor	Transistor Invertor	Transistor Invertor
Auxiliary Hydraulic Function Specifications (for attachments) ¹	Max. Operating Pressure		psi (bar)	2321 (160)	2321 (160)	2321 (160)
	Maximum Flow Rate		gpm (lpm)	10.6 (40)	10.6 (40)	10.6 (40)
Reference the 80-Volt forklift manual for Flow & Pressure Specifications Chart.						

* Computed Values.

¹ Values taken at Hydraulic Control Valve. Does not take into consideration losses through mast plumbing (hosing, fittings, QD's, etc).

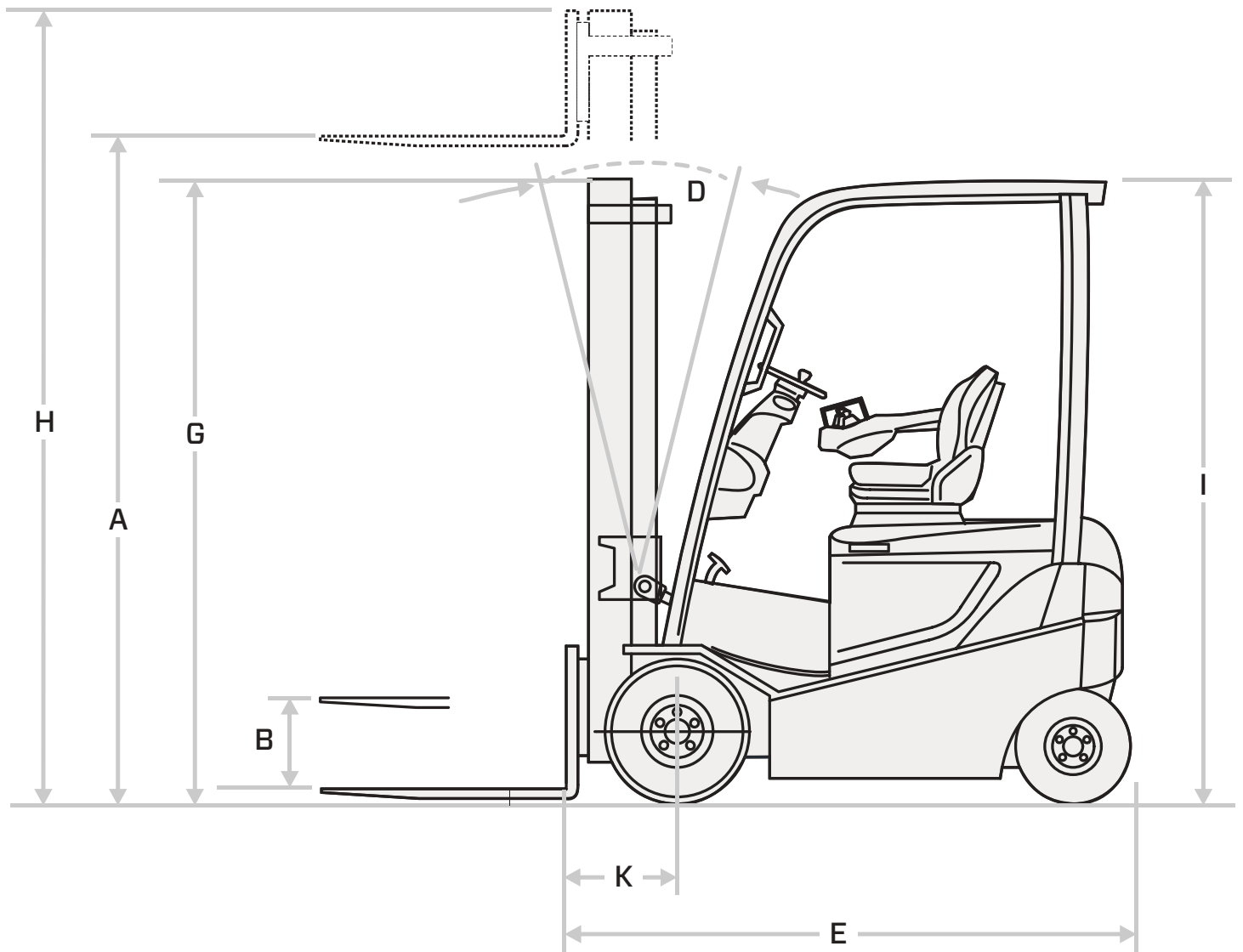
MODEL NUMBERS

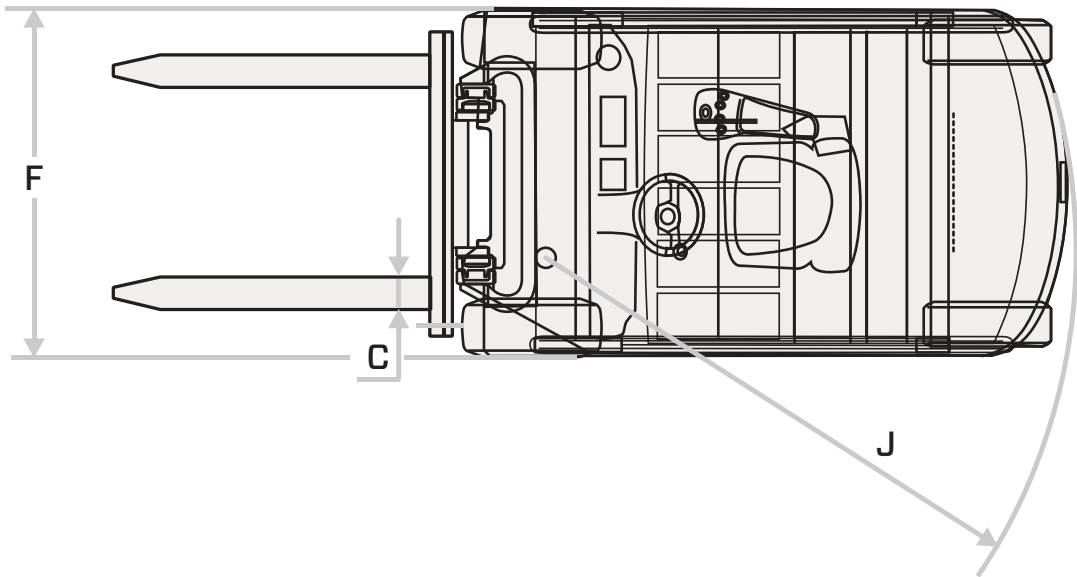
GENERAL DATA				05-8FBMK30T	05-8FBM30T	05-8FBM35T
Load Capacity		lb (kg)		6000 (2722)	6000 (2722)	7000 (3175)
Power Type	Battery			Battery	Battery	Battery
	Voltage	V		80	80	80
Operator Position				Rider Seated	Rider Seated	Rider Seated
Tire Type		Front/Rear		Solid Pneumatic	Solid Pneumatic	Solid Pneumatic
Wheels (x = driven)		Front/Rear		2x/2	2x/2	2x/2
EXTERIOR DIMENSIONS				05-8FBMK30T	05-8FBM30T	05-8FBM35T
A	Maximum Fork Height (MFH, V mast, top of forks)		in (mm)	131.7 (3345)	131.7 (3345)	131.7 (3345)
B	Free Lift (top of forks)		in (mm)	4.9 (125)	4.9 (125)	4.9 (125)
C	Fork Size (T x W x L)		in (mm)	1.8 x 5 x 42 (45 x 125 x 1070)	1.8 x 5 x 42 (45 x 125 x 1070)	1.8 x 5 x 42 / (45 x 125 x 1070)
D	Tilt Range (forward/backward)		deg	4.5/8	4.5/8	4.5/8
E	Length to Fork Face		in (mm)	91.9 (2334)	96.4 (2449)	97.6 (2479)
F	Overall Width		in (mm)	47 (1195)	47 (1195)	47 (1195)
G	Mast Lowered Height		in (mm)	94.3 (2395)	94.3 (2395)	94.3 (2395)
H	Mast Extended Height (top of load backrest)		in (mm)	179.7 (4564)	179.7 (4564)	179.7 (4564)
I	Overhead Guard Height		in (mm)	87.2 (2215)	87.2 (2215)	87.2 (2215)
J	Turning Radius (outside)		in (mm)	80 (2032)	84.2 (2138)	85.3 (2167)
K	Load Distance (centerline of front axle to front face of forks)		in (mm)	17.3 (440)	18.5 (470)	17.3 (440)
	Basic Right Angle Stacking Aisle Width (add load length and clearance)		in (mm)	139.4 (3542)	143.6 (3648)	144.8 (3677)
PERFORMANCE DATA				05-8FBMK30T	05-8FBM30T	05-8FBM35T
Speeds	Travel, Maximum (forward/reverse)	Full Load	mph (km/h)	11.8 (19)	11.8 (19)	11.8 (19)
		No Load	mph (km/h)	12.4 (20)	12.4 (20)	12.4 (20)
	Lifting	Full Load	fpm (mm/sec)	75 (380)	75 (380)	69 (350)
		No Load	fpm (mm/sec)	108 (550)	108 (550)	108 (550)
	Lowering	Full Load	fpm (mm/sec)	110 (560)	110 (560)	110 (560)
		No Load	fpm (mm/sec)	83 (420)	83 (420)	87 (440)
Drawbar Pull	5-Minute Ratings		lbf (N)	4271 (19000)	4271 (19000)	4271 (19000)
	60-Minute Ratings		lbf (N)	2001 (8900)	2001 (8900)	2001 (8900)
Gradeability*	5-Minute Ratings		% (tan θ)	21 / 29	22 / 29	19 / 27
	30-Minute Ratings		% (tan θ)	13 / 23	13 / 23	11 / 21
TRUCK WEIGHTS				05-8FBMK30T	05-8FBM30T	05-8FBM35T
Total Weight without Battery		lb (kg)		11462 (5199)	11378 (5161)	12330 (5593)
Weight Distribution (with standard battery)	Full Load	Front	lb (kg)	15390 (6981)	15483 (7023)	17084 (7749)
		Rear	lb (kg)	2072 (940)	1896 (860)	2249 (1020)
	No Load	Front	lb (kg)	5386 (2443)	5816 (2638)	5803 (2632)
		Rear	lb (kg)	6076 (2756)	5565 (2524)	6528 (2961)
TIRES				05-8FBMK30T	05-8FBM30T	05-8FBM35T
Tires	Number (front/rear)			2/2	2/2	2/2
	Size	Front		23 x 10 - 12	23 x 10 - 12	23 x 10 - 12
Rear			18 x 7 - 8	18 x 7 - 8	18 x 7 - 8	
Wheelbase		in (mm)		62 (1575)	67.7 (1720)	67.7 (1720)
Tread	Front	in (mm)		37.2 (946)	37.2 (946)	37.2 (946)
	Rear	in (mm)		37 (940)	37 (940)	37 (940)
Underclearance (full load)	Minimum <Mast>		in (mm)	3.7 (95)	3.7 (95)	3.7 (95)
	Center of Wheelbase		in (mm)	4.5 (115)	4.5 (115)	4.5 (115)
Brake	Service (foot)			Hydraulic	Hydraulic	Hydraulic
	Parking (hand)			Mechanical	Mechanical	Mechanical
POWER SYSTEM				05-8FBMK30T	05-8FBM30T	05-8FBM35T
Battery (5-hour rating)		V/Ah		80/560	80/700	80/700
Electric Motors	Drive	hp (kW)		26.8 (20)	26.8 (20)	26.8 (20)
	Load Handling	hp (kW)		34.2 (25.5)	34.2 (25.5)	34.2 (25.5)
Control Type	Drive			Transistor Invertor	Transistor Invertor	Transistor Invertor
	Load Handling			Transistor Invertor	Transistor Invertor	Transistor Invertor
	Power Steering			Transistor Invertor	Transistor Invertor	Transistor Invertor
Auxiliary Hydraulic Function Specifications (For Attachments) ¹	Max. Operating Pressure		psi (bar)	2321 (160)	2321 (160)	2321 (160)
	Maximum Flow Rate		gpm (lpm)	10.6 (40)	10.6 (40)	10.6 (40)
Reference the 80-Volt forklift manual for Flow & Pressure Specifications Chart.						

* Computed Values.

¹ Values taken at Hydraulic Control Valve. Does not take into consideration losses through mast plumbing (hosing, fittings, QD's, etc).

TRUCK DIMENSIONS





MAST SPECIFICATIONS

MAST TYPE	MAXIMUM FORK HEIGHT (TOP OF FORKS)	OVERALL HEIGHT				FREE LIFT		TILT RANGE		LOAD CAPACITY AT	
		LOWERED	EXTENDED		WITHOUT LOAD BACKREST	WITH STANDARD LOAD BACKREST	FWD	BWD	24 IN (610 MM) LOAD CENTER*	32 IN (810 MM) LOAD CENTER*	
			WITHOUT LOAD BACKREST	WITH STANDARD LOAD BACKREST							deg
	in (mm)	in (mm)	in (mm)	in (mm)	in (mm)	in (mm)	deg	deg	lb (kg)	lb (kg)	
05-8FBM20T											
Wide Visible (V)	119.5 (3040)	84 (2135)	145.6 (3699)	167.7 (4259)	4.73 (120)	4.73 (120)	4.5	8	4000 (1814)	3349 (1519)	
	131.5 (3340)	88 (2235)	157.4 (3999)	179.5 (4559)	4.73 (120)	4.73 (120)	4.5	8	4000 (1814)	3349 (1519)	
	147 (3740)	101.8 (2585)	173.2 (4399)	195.2 (4959)	4.73 (120)	4.73 (120)	4.5	8	4000 (1814)	3349 (1519)	
	159 (4040)	111.6 (2835)	185 (4699)	207.1 (5259)	4.73 (120)	4.73 (120)	4.5	8	4000 (1814)	3349 (1519)	
	179 (4540)	121.5 (3085)	204.7 (5199)	226.7 (5759)	4.73 (120)	4.73 (120)	4.5	8	4000 (1814)	3349 (1519)	
Full-Free Lift 2-Stage (FV)	119.5 (3040)	84 (2135)	145.6 (3699)	167.7 (4259)	59.5 (1511)	38 (965)	4.5	8	4000 (1814)	3349 (1519)	
	131.5 (3340)	88 (2235)	157.4 (3999)	179.5 (4559)	63.4 (1611)	41.9 (1065)	4.5	8	4000 (1814)	3349 (1519)	
	147 (3740)	101.8 (2585)	173.2 (4399)	195.2 (4959)	77.2 (1961)	55.7 (1415)	4.5	8	4000 (1814)	3349 (1519)	
Full-Free Lift 2-Stage, 4-Cylinder (FW)	119.5 (3040)	84 (2135)	145.6 (3699)	167.7 (4259)	60.6 (1540)	36 (915)	4.5	8	4000 (1814)	3349 (1519)	
	131.5 (3340)	88.8 (2255)	157.4 (3999)	179.5 (4559)	65.4 (1660)	40.7 (1035)	4.5	8	4000 (1814)	3349 (1519)	
	147 (3740)	98.6 (2505)	173.2 (4399)	195.2 (4959)	72.4 (1840)	50.6 (1285)	4.5	8	4000 (1814)	3349 (1519)	
Full-Free Lift 3-Stage (FSV)	171 (4340)	84 (2135)	196.8 (4999)	218.9 (5559)	58.1 (1476)	37.6 (955)	4.5	8	4000 (1814)	3349 (1519)	
	186.5 (4740)	88 (2235)	212.6 (5399)	234.6 (5959)	62 (1576)	41.5 (1055)	4.5	8	4000 (1814)	3349 (1519)	
	198 (5040)	94.3 (2395)	224.4 (5699)	246.4 (6259)	68.3 (1736)	47.8 (1215)	4.5	8	4000 (1814)	3349 (1519)	
	218 (5540)	101.8 (2585)	244.1 (6199)	266.1 (6759)	75.8 (1926)	55.3 (1405)	4.5	8	4000 (1814)	3349 (1519)	
	238 (6040)	111.6 (2835)	263.7 (6699)	285.8 (7259)	85.7 (2176)	65.2 (1655)	4.5	8	3307 (1500)	2769 (1256)	
Full-Free Lift 3-Stage, 4-Cylinder (FSW)	173 (4400)	82.1 (2085)	199.2 (5059)	221.2 (5619)	58.3 (1480)	34.1 (865)	4.5	8	4000 (1814)	3349 (1519)	
	186.5 (4740)	86.8 (2205)	212.6 (5399)	234.6 (5959)	63 (1600)	38.8 (985)	4.5	8	4000 (1814)	3349 (1519)	
	198 (5040)	90.7 (2305)	224.4 (5699)	246.4 (6259)	67 (1700)	42.7 (1085)	4.5	8	4000 (1814)	3349 (1519)	
	218 (5540)	98.6 (2505)	244.1 (6199)	266.1 (6759)	74.8 (1900)	50.6 (1285)	4.5	8	4000 (1814)	3349 (1519)	
	238 (6040)	104.5 (2655)	263.7 (6699)	285.8 (7259)	80.7 (2050)	56.5 (1435)	4.5	8	3307 (1500)	2769 (1256)	
257 (6540)	112.4 (2855)	283.4 (7199)	305.5 (7759)	88.6 (2250)	64.4 (1635)	4.5	8	2800 (1270)	2345 (1063)		

MAST TYPE	MAXIMUM FORK HEIGHT (TOP OF FORKS)	OVERALL HEIGHT				FREE LIFT		TILT RANGE		LOAD CAPACITY AT	
		LOWERED	EXTENDED		WITHOUT LOAD BACKREST	WITH STANDARD LOAD BACKREST	FWD	BWD	24 IN (610 MM) LOAD CENTER*	32 IN (810 MM) LOAD CENTER*	
			WITHOUT LOAD BACKREST	WITH STANDARD LOAD BACKREST							deg
	in (mm)	in (mm)	in (mm)	in (mm)	in (mm)	in (mm)	deg	deg	lb (kg)	lb (kg)	
05-8FBMK25T											
Wide Visible (V)	119.5 (3040)	84 (2135)	145.6 (3699)	167.7 (4259)	4.73 (120)	4.73 (120)	4.5	8	5000 (2268)	3968 (1800)	
	131.5 (3340)	88 (2235)	157.4 (3999)	179.5 (4559)	4.73 (120)	4.73 (120)	4.5	8	5000 (2268)	3968 (1800)	
	147 (3740)	101.8 (2585)	173.2 (4399)	195.2 (4959)	4.73 (120)	4.73 (120)	4.5	8	5000 (2268)	3968 (1800)	
	159 (4040)	111.6 (2835)	185 (4699)	207.1 (5259)	4.73 (120)	4.73 (120)	4.5	8	5000 (2268)	3968 (1800)	
	179 (4540)	121.5 (3085)	204.7 (5199)	226.7 (5759)	4.73 (120)	4.73 (120)	4.5	8	5000 (2268)	3968 (1800)	
Full-Free Lift 2-Stage (FV)	119.5 (3040)	84 (2135)	145.6 (3699)	167.7 (4259)	59.5 (1511)	38 (965)	4.5	8	5000 (2268)	3968 (1800)	
	131.5 (3340)	88 (2235)	157.4 (3999)	179.5 (4559)	63.4 (1611)	41.9 (1065)	4.5	8	5000 (2268)	3968 (1800)	
	147 (3740)	101.8 (2585)	173.2 (4399)	195.2 (4959)	77.2 (1961)	55.7 (1415)	4.5	8	5000 (2268)	3968 (1800)	
Full-Free Lift 2-Stage, 4-Cylinder (FW)	119.5 (3040)	84 (2135)	145.6 (3699)	167.7 (4259)	60.6 (1540)	36 (915)	4.5	8	5000 (2268)	3968 (1800)	
	131.5 (3340)	88.8 (2255)	157.4 (3999)	179.5 (4559)	65.4 (1660)	40.7 (1035)	4.5	8	5000 (2268)	3968 (1800)	
	147 (3740)	98.6 (2505)	173.2 (4399)	195.2 (4959)	72.4 (1840)	50.6 (1285)	4.5	8	5000 (2268)	3968 (1800)	
Full-Free Lift 3-Stage (FSV)	171 (4340)	84 (2135)	196.8 (4999)	218.9 (5559)	58.1 (1476)	37.6 (955)	4.5	8	4938 (2240)	3968 (1800)	
	186.5 (4740)	88 (2235)	212.6 (5399)	234.6 (5959)	62 (1576)	41.5 (1055)	4.5	8	4828 (2190)	3968 (1800)	
	198 (5040)	94.3 (2395)	224.4 (5699)	246.4 (6259)	68.3 (1736)	47.8 (1215)	4.5	8	4740 (2150)	3968 (1800)	
	218 (5540)	101.8 (2585)	244.1 (6199)	266.1 (6759)	75.8 (1926)	55.3 (1405)	4.5	8	4145 (1880)	3483 (1580)	
	238 (6040)	111.6 (2835)	263.7 (6699)	285.8 (7259)	85.7 (2176)	65.2 (1655)	4.5	8	3307 (1500)	2778 (1260)	
Full-Free Lift 3-Stage, 4-Cylinder (FSW)	173 (4400)	82.1 (2085)	199.2 (5059)	221.2 (5619)	58.3 (1480)	34.1 (865)	4.5	8	4938 (2240)	3968 (1800)	
	186.5 (4740)	86.8 (2205)	212.6 (5399)	234.6 (5959)	63 (1600)	38.8 (985)	4.5	8	4828 (2190)	3968 (1800)	
	198 (5040)	90.7 (2305)	224.4 (5699)	246.4 (6259)	67 (1700)	42.7 (1085)	4.5	8	4740 (2150)	3968 (1800)	
	218 (5540)	98.6 (2505)	244.1 (6199)	266.1 (6759)	74.8 (1900)	50.6 (1285)	4.5	8	4145 (1880)	3483 (1580)	
	238 (6040)	104.5 (2655)	263.7 (6699)	285.8 (7259)	80.7 (2050)	56.5 (1435)	4.5	8	3307 (1500)	2778 (1260)	
257 (6540)	112.4 (2855)	283.4 (7199)	305.5 (7759)	88.6 (2250)	64.4 (1635)	4.5	8	2800 (1270)	2337 (1270)		

Note: Height of standard load backrest is 48" (1220 mm).
 *All capacities of 1500 lbs or less are subject to a secondary review and could be denied by Toyota.

MAST TYPE	MAXIMUM FORK HEIGHT (TOP OF FORKS)	OVERALL HEIGHT				FREE LIFT		TILT RANGE		LOAD CAPACITY AT	
		LOWERED	EXTENDED		WITHOUT LOAD BACKREST	WITH STANDARD LOAD BACKREST	FWD	BWD	24 IN (610 MM) LOAD CENTER*	32 IN (810 MM) LOAD CENTER*	
			WITHOUT LOAD BACKREST	WITH STANDARD LOAD BACKREST							deg
	in (mm)	in (mm)	in (mm)	in (mm)	in (mm)	in (mm)	deg	deg	lb (kg)	lb (kg)	
05-8FBM25T											
Wide Visible (V)	119.5 (3040)	84 (2135)	145.6 (3699)	167.7 (4259)	4.73 (120)	4.73 (120)	4.5	8	5000 (2268)	3968 (1800)	
	131.5 (3340)	88 (2235)	157.4 (3999)	179.5 (4559)	4.73 (120)	4.73 (120)	4.5	8	5000 (2268)	3968 (1800)	
	147 (3740)	101.8 (2585)	173.2 (4399)	195.2 (4959)	4.73 (120)	4.73 (120)	4.5	8	5000 (2268)	3968 (1800)	
	159 (4040)	111.6 (2835)	185 (4699)	207.1 (5259)	4.73 (120)	4.73 (120)	4.5	8	5000 (2268)	3968 (1800)	
Full-Free Lift 2-Stage (FV)	119.5 (3040)	84 (2135)	145.6 (3699)	167.7 (4259)	59.5 (1511)	38 (965)	4.5	8	5000 (2268)	3968 (1800)	
	131.5 (3340)	88 (2235)	157.4 (3999)	179.5 (4559)	63.4 (1611)	41.9 (1065)	4.5	8	5000 (2268)	3968 (1800)	
	147 (3740)	101.8 (2585)	173.2 (4399)	195.2 (4959)	77.2 (1961)	55.7 (1415)	4.5	8	5000 (2268)	3968 (1800)	
Full-Free Lift 2-Stage, 4-Cylinder (FW)	119.5 (3040)	84 (2135)	145.6 (3699)	167.7 (4259)	60.6 (1540)	36 (915)	4.5	8	5000 (2268)	3968 (1800)	
	131.5 (3340)	88.8 (2255)	157.4 (3999)	179.5 (4559)	65.4 (1660)	40.7 (1035)	4.5	8	5000 (2268)	3968 (1800)	
	147 (3740)	98.6 (2505)	173.2 (4399)	195.2 (4959)	72.4 (1840)	50.6 (1285)	4.5	8	5000 (2268)	3968 (1800)	
Full-Free Lift 3-Stage (FSV)	171 (4340)	84 (2135)	196.8 (4999)	218.9 (5559)	58.1 (1476)	37.6 (955)	4.5	8	5000 (2268)	3968 (1800)	
	186.5 (4740)	88 (2235)	212.6 (5399)	234.6 (5959)	62 (1576)	41.5 (1055)	4.5	8	5000 (2268)	3968 (1800)	
	198 (5040)	94.3 (2395)	224.4 (5699)	246.4 (6259)	68.3 (1736)	47.8 (1215)	4.5	8	5000 (2268)	3968 (1800)	
	218 (5540)	101.8 (2585)	244.1 (6199)	266.1 (6759)	75.8 (1926)	55.3 (1405)	4.5	8	5000 (2268)	3968 (1800)	
	238 (6040)	111.6 (2835)	263.7 (6699)	285.8 (7259)	85.7 (2176)	65.2 (1655)	4.5	8	3990 (1810)	3351 (1520)	
Full-Free Lift 3-Stage, 4-Cylinder (FSW)	173 (4400)	82.1 (2085)	199.2 (5059)	221.2 (5619)	58.3 (1480)	34.1 (865)	4.5	8	5000 (2268)	3968 (1800)	
	186.5 (4740)	86.8 (2205)	212.6 (5399)	234.6 (5959)	63 (1600)	38.8 (985)	4.5	8	5000 (2268)	3968 (1800)	
	198 (5040)	90.7 (2305)	224.4 (5699)	246.4 (6259)	67 (1700)	42.7 (1085)	4.5	8	5000 (2268)	3968 (1800)	
	218 (5540)	98.6 (2505)	244.1 (6199)	266.1 (6759)	74.8 (1900)	50.6 (1285)	4.5	8	5000 (2268)	3968 (1800)	
	238 (6040)	104.5 (2655)	263.7 (6699)	285.8 (7259)	80.7 (2050)	56.5 (1435)	4.5	8	3990 (1810)	3351 (1520)	
	257 (6540)	112.4 (2855)	283.4 (7199)	305.5 (7759)	88.6 (2250)	64.4 (1635)	4.5	8	3880 (1760)	3263 (1480)	

MAST TYPE	MAXIMUM FORK HEIGHT (TOP OF FORKS)	OVERALL HEIGHT				FREE LIFT		TILT RANGE		LOAD CAPACITY AT	
		LOWERED	EXTENDED		WITHOUT LOAD BACKREST	WITH STANDARD LOAD BACKREST	FWD	BWD	24 IN (610 MM) LOAD CENTER*	32 IN (810 MM) LOAD CENTER*	
			WITHOUT LOAD BACKREST	WITH STANDARD LOAD BACKREST							deg
	in (mm)	in (mm)	in (mm)	in (mm)	in (mm)	in (mm)	deg	deg	lb (kg)	lb (kg)	
05-8FBMK30T											
Wide Visible (V)	118 (3005)	87.2 (2215)	145.9 (3705)	166.3 (4224)	4.9 (125)	4.9 (125)	4.5	8	6000 (2722)	5000 (2268)	
	132 (3345)	94.3 (2395)	159.3 (4045)	179.7 (4564)	4.9 (125)	4.9 (125)	4.5	8	6000 (2722)	5000 (2268)	
	147.5 (3745)	101.8 (2585)	175 (4445)	131.3 (3334)	4.9 (125)	4.9 (125)	4.5	8	6000 (2722)	5000 (2268)	
	159 (4045)	111.6 (2835)	186.8 (4745)	207.3 (5264)	4.9 (125)	4.9 (125)	4.5	8	6000 (2722)	5000 (2268)	
Full-Free Lift 2-Stage (FV)	120 (3045)	83.7 (2125)	145.9 (3705)	166.3 (4224)	54.9 (1395)	36 (915)	4.5	8	6000 (2722)	5000 (2268)	
	132 (3345)	88.8 (2255)	159.3 (4045)	179.7 (4564)	59.6 (1515)	40.7 (1035)	4.5	8	6000 (2722)	5000 (2268)	
	147.5 (3745)	101.8 (2585)	175 (4445)	131.3 (3334)	72.6 (1845)	53.7 (1365)	4.5	8	6000 (2722)	5000 (2268)	
Full-Free Lift 2-Stage, 4-Cylinder (FW)	118 (3005)	86 (2185)	145.9 (3705)	166.3 (4224)	59.4 (1510)	38 (965)	4.5	8	6000 (2722)	5000 (2268)	
	132 (3345)	92.7 (2355)	159.3 (4045)	179.7 (4564)	66.9 (1700)	44.7 (1135)	4.5	8	6000 (2722)	5000 (2268)	
	147.5 (3745)	100.6 (2555)	175 (4445)	131.3 (3334)	74.8 (1900)	52.6 (1335)	4.5	8	6000 (2722)	5000 (2268)	
Full-Free Lift 3-Stage (FSV)	171 (4345)	84 (2135)	198.6 (5045)	219.1 (5564)	60.2 (1530)	40.9 (1040)	4.5	8	5700 (2585)	4410 (2000)	
	187 (4745)	88 (2235)	214.4 (5445)	234.8 (5964)	67.3 (1710)	48 (1220)	4.5	8	5700 (2585)	4410 (2000)	
	198.5 (5045)	94.3 (2395)	246.6 (5745)	246.6 (6264)	74.8 (1900)	55.5 (1410)	4.5	8	5700 (2585)	4410 (2000)	
	218 (5545)	101.8 (2585)	245.9 (6245)	266.3 (6764)	84.6 (2150)	65.4 (1660)	4.5	8	5335 (2420)	4410 (2000)	
	238 (6045)	111.6 (2835)	265.6 (6745)	286 (7264)	94.5 (2400)	75.2 (1910)	4.5	8	4321 (1960)	3638 (1650)	
Full-Free Lift 3-Stage, 4-Cylinder (FSW)	173 (4395)	86 (2185)	200.6 (5095)	221 (5614)	60.2 (1530)	38 (965)	4.5	8	5700 (2585)	4410 (2000)	
	187 (4745)	90.7 (2305)	214.4 (5445)	234.8 (5964)	65 (1650)	42.7 (1085)	4.5	8	5700 (2585)	4410 (2000)	
	198.5 (5045)	94.7 (2405)	246.6 (5745)	246.6 (6264)	68.9 (1750)	46.7 (1185)	4.5	8	5700 (2585)	4410 (2000)	
	218 (5545)	102.6 (2605)	245.9 (6245)	266.3 (6764)	76.8 (1950)	54.5 (1385)	4.5	8	5335 (2420)	4410 (2000)	
	238 (6045)	108.5 (2755)	265.6 (6745)	286 (7264)	82.7 (2100)	60.4 (1535)	4.5	8	4321 (1960)	3638 (1650)	
	258 (6545)	116.3 (2955)	285.2 (7245)	305.7 (7764)	90.6 (2300)	68.3 (1735)	4.5	8	3594 (1630)	3020 (1370)	

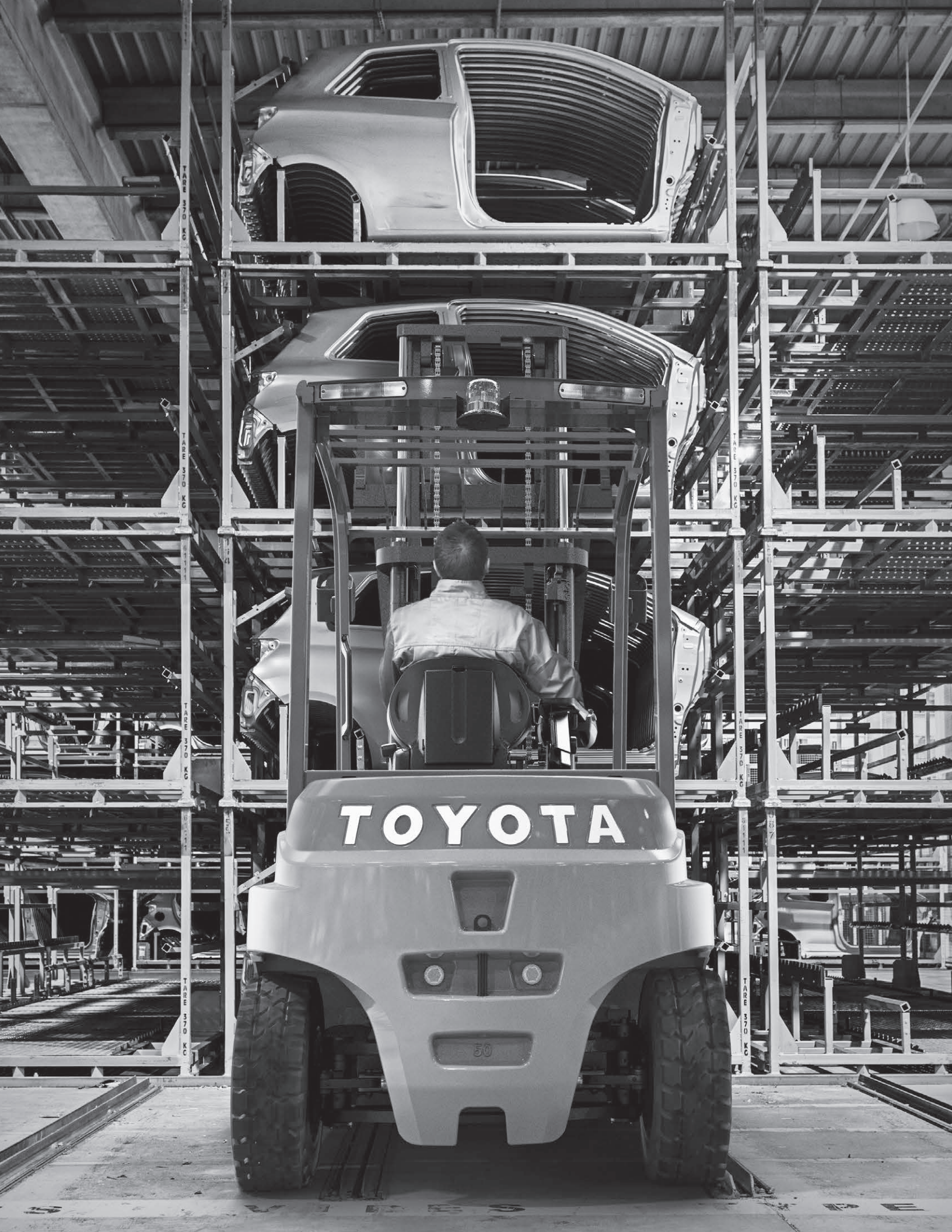
Note: Height of standard load backrest is 48" (1220 mm).
 *All capacities of 1500 lbs or less are subject to a secondary review and could be denied by Toyota.

MAST SPECIFICATIONS

MAST TYPE	MAXIMUM FORK HEIGHT (TOP OF FORKS)	OVERALL HEIGHT				FREE LIFT		TILT RANGE		LOAD CAPACITY AT	
		LOWERED	EXTENDED		WITHOUT LOAD BACKREST	WITH STANDARD LOAD BACKREST	FWD	BWD	24 IN (610 MM) LOAD CENTER*	32 IN (810 MM) LOAD CENTER*	
			WITHOUT LOAD BACKREST	WITH STANDARD LOAD BACKREST							deg
in (mm)											
05-8FBM30T											
Wide Visible (V)	118 (3005)	87.2 (2215)	145.9 (3705)	166.3 (4224)	4.9 (125)	4.9 (125)	4.5	8	6000 (2722)	5000 (2268)	
	132 (3345)	94.3 (2395)	159.3 (4045)	179.7 (4564)	4.9 (125)	4.9 (125)	4.5	8	6000 (2722)	5000 (2268)	
	147.5 (3745)	101.8 (2585)	175 (4445)	131.3 (3334)	4.9 (125)	4.9 (125)	4.5	8	6000 (2722)	5000 (2268)	
	159 (4045)	111.6 (2835)	186.8 (4745)	207.3 (5264)	4.9 (125)	4.9 (125)	4.5	8	6000 (2722)	5000 (2268)	
	179 (4545)	121.5 (3085)	206.5 (5245)	226.9 (5764)	4.9 (125)	4.9 (125)	4.5	8	6000 (2722)	5000 (2268)	
Full-Free Lift 2-Stage (FV)	120 (3045)	83.7 (2125)	145.9 (3705)	166.3 (4224)	54.9 (1395)	36 (915)	4.5	8	6000 (2722)	5000 (2268)	
	132 (3345)	88.8 (2255)	159.3 (4045)	179.7 (4564)	59.6 (1515)	40.7 (1035)	4.5	8	6000 (2722)	5000 (2268)	
	147.5 (3745)	101.8 (2585)	175 (4445)	131.3 (3334)	72.6 (1845)	53.7 (1365)	4.5	8	6000 (2722)	5000 (2268)	
Full-Free Lift 2-Stage, 4-Cylinder (FW)	118 (3005)	86 (2185)	145.9 (3705)	166.3 (4224)	59.4 (1510)	38 (965)	4.5	8	6000 (2722)	5000 (2268)	
	132 (3345)	92.7 (2355)	159.3 (4045)	179.7 (4564)	66.9 (1700)	44.7 (1135)	4.5	8	6000 (2722)	5000 (2268)	
	147.5 (3745)	100.6 (2555)	175 (4445)	131.3 (3334)	74.8 (1900)	52.6 (1335)	4.5	8	6000 (2722)	5000 (2268)	
	159 (4045)	108.5 (2755)	186.8 (4745)	207.3 (5264)	80.3 (2040)	60.4 (1535)	4.5	8	6000 (2722)	5000 (2268)	
Full-Free Lift 3-Stage (FSV)	171 (4345)	84 (2135)	198.6 (5045)	219.1 (5564)	60.2 (1530)	40.9 (1040)	4.5	8	5700 (2585)	4410 (2000)	
	187 (4745)	88 (2235)	214.4 (5445)	234.8 (5964)	67.3 (1710)	48 (1220)	4.5	8	5700 (2585)	4410 (2000)	
	198.5 (5045)	94.3 (2395)	246.6 (5745)	246.6 (6264)	74.8 (1900)	55.5 (1410)	4.5	8	5700 (2585)	4410 (2000)	
	218 (5545)	101.8 (2585)	245.9 (6245)	266.3 (6764)	84.6 (2150)	65.4 (1660)	4.5	8	5335 (2420)	4410 (2000)	
	238 (6045)	111.6 (2835)	265.6 (6745)	286 (7264)	94.5 (2400)	75.2 (1910)	4.5	8	4387 (1990)	3682 (1670)	
	258 (6545)	121.5 (3085)	285.2 (7245)	305.7 (7764)	104.3 (2650)	85 (2160)	4.5	8	4167 (1890)	3505 (1590)	
Full-Free Lift 3-Stage, 4-Cylinder (FSW)	173 (4395)	86 (2185)	200.6 (5095)	221 (5614)	60.2 (1530)	38 (965)	4.5	8	5700 (2585)	4410 (2000)	
	187 (4745)	90.7 (2305)	214.4 (5445)	234.8 (5964)	65 (1650)	42.7 (1085)	4.5	8	5700 (2585)	4410 (2000)	
	198.5 (5045)	94.7 (2405)	246.6 (5745)	246.6 (6264)	68.9 (1750)	46.7 (1185)	4.5	8	5700 (2585)	4410 (2000)	
	218 (5545)	102.6 (2605)	245.9 (6245)	266.3 (6764)	76.8 (1950)	54.5 (1385)	4.5	8	5335 (2420)	4410 (2000)	
	238 (6045)	108.5 (2755)	265.6 (6745)	286 (7264)	82.7 (2100)	60.4 (1535)	4.5	8	4387 (1990)	3682 (1670)	
	258 (6545)	116.3 (2955)	285.2 (7245)	305.7 (7764)	90.6 (2300)	68.3 (1735)	4.5	8	4167 (1890)	3505 (1590)	

MAST TYPE	MAXIMUM FORK HEIGHT (TOP OF FORKS)	OVERALL HEIGHT				FREE LIFT		TILT RANGE		LOAD CAPACITY AT	
		LOWERED	EXTENDED		WITHOUT LOAD BACKREST	WITH STANDARD LOAD BACKREST	FWD	BWD	24 IN (610 MM) LOAD CENTER*	32 IN (810 MM) LOAD CENTER*	
			WITHOUT LOAD BACKREST	WITH STANDARD LOAD BACKREST							deg
in (mm)											
05-8FBM35T											
Wide Visible (V)	118 (3005)	87.2 (2215)	145.9 (3705)	166.3 (4224)	4.9 (125)	4.9 (125)	4.5	8	7000 (3175)	5180 (2350)	
	132 (3345)	94.3 (2395)	159.3 (4045)	179.7 (4564)	4.9 (125)	4.9 (125)	4.5	8	7000 (3175)	5180 (2350)	
	147.5 (3745)	101.8 (2585)	175 (4445)	131.3 (3334)	4.9 (125)	4.9 (125)	4.5	8	7000 (3175)	5180 (2350)	
	159 (4045)	111.6 (2835)	186.8 (4745)	207.3 (5264)	4.9 (125)	4.9 (125)	4.5	8	7000 (3175)	5180 (2350)	
	179 (4545)	121.5 (3085)	206.5 (5245)	226.9 (5764)	4.9 (125)	4.9 (125)	4.5	8	7000 (3175)	5180 (2350)	
Full-Free Lift 2-Stage (FV)	120 (3045)	83.7 (2125)	145.9 (3705)	166.3 (4224)	54.9 (1395)	36 (915)	4.5	8	7000 (3175)	5180 (2350)	
	132 (3345)	88.8 (2255)	159.3 (4045)	179.7 (4564)	59.6 (1515)	40.7 (1035)	4.5	8	7000 (3175)	5180 (2350)	
	147.5 (3745)	101.8 (2585)	175 (4445)	131.3 (3334)	72.6 (1845)	53.7 (1365)	4.5	8	7000 (3175)	5180 (2350)	
Full-Free Lift 2-Stage, 4-Cylinder (FW)	118 (3005)	86 (2185)	145.9 (3705)	166.3 (4224)	59.4 (1510)	38 (965)	4.5	8	7000 (3175)	5180 (2350)	
	132 (3345)	92.7 (2355)	159.3 (4045)	179.7 (4564)	66.9 (1700)	44.7 (1135)	4.5	8	7000 (3175)	5180 (2350)	
	147.5 (3745)	100.6 (2555)	175 (4445)	131.3 (3334)	74.8 (1900)	52.6 (1335)	4.5	8	7000 (3175)	5180 (2350)	
	159 (4045)	108.5 (2755)	186.8 (4745)	207.3 (5264)	80.3 (2040)	60.4 (1535)	4.5	8	7000 (3175)	5180 (2350)	
Full-Free Lift 3-Stage (FSV)	171 (4345)	87.2 (2215)	198.6 (5045)	219.1 (5564)	60.2 (1530)	40.9 (1040)	4.5	8	6834 (3100)	5400 (2449)	
	187 (4745)	94.3 (2395)	214.4 (5445)	234.8 (5964)	67.3 (1710)	48 (1220)	4.5	8	6834 (3100)	5400 (2449)	
	198.5 (5045)	101.8 (2585)	246.6 (5745)	246.6 (6264)	74.8 (1900)	55.5 (1410)	4.5	8	6768 (3070)	5400 (2449)	
	218 (5545)	111.6 (2835)	245.9 (6245)	266.3 (6764)	84.6 (2150)	65.4 (1660)	4.5	8	6504 (2950)	5400 (2449)	
	238 (6045)	121.5 (3085)	265.6 (6745)	286 (7264)	94.5 (2400)	75.2 (1910)	4.5	8	5578 (2530)	4696 (2130)	
	258 (6545)	131.3 (3335)	285.2 (7245)	305.7 (7764)	104.3 (2650)	85 (2160)	4.5	8	4497 (2040)	3792 (1720)	
Full-Free Lift 3-Stage, 4-Cylinder (FSW)	173 (4395)	86 (2185)	200.6 (5095)	221 (5614)	60.2 (1530)	38 (965)	4.5	8	6834 (3100)	5400 (2449)	
	187 (4745)	90.7 (2305)	214.4 (5445)	234.8 (5964)	65 (1650)	42.7 (1085)	4.5	8	6834 (3100)	5400 (2449)	
	198.5 (5045)	94.7 (2405)	246.6 (5745)	246.6 (6264)	68.9 (1750)	46.6 (1185)	4.5	8	6768 (3070)	5400 (2449)	
	218 (5545)	102.6 (2605)	245.9 (6245)	266.3 (6764)	76.8 (1950)	54.5 (1385)	4.5	8	6504 (2950)	5400 (2449)	
	238 (6045)	108.5 (2755)	265.6 (6745)	286 (7264)	82.7 (2100)	60.4 (1535)	4.5	8	5578 (2530)	4696 (2130)	
	258 (6545)	116.3 (2955)	285.2 (7245)	305.7 (7764)	90.6 (2300)	68.3 (1735)	4.5	8	4497 (2040)	3792 (1720)	

Note: Height of standard load backrest is 48" (1220 mm).
 *All capacities of 1500 lbs or less are subject to a secondary review and could be denied by Toyota.



TOYOTA

50

Some product features described herein are optional. Please consult your dealer for specifications.
Details of specifications and equipment are based on information available at time of printing and may change without notice.



INDUSTRIAL EQUIPMENT

REACH NEW HEIGHTS

00722FBMKTSELL0915

©2015 Toyota Material Handling, U.S.A., Inc.