

EMPTY CONTAINER HANDLER

 **TOYOTA**

INDUSTRIAL EQUIPMENT

REACH NEW HEIGHTS

UP TO 19800 LBS. (10 TON) CAPACITY

SPECIFICATIONS



THD1500-E3-E4 | THD1980-E5-E6-E7-E8

CLASS
5

INTERNAL COMBUSTION ENGINE PNEUMATIC TIRE

ToyotaForklift.com

EMPTY CONTAINER HANDLER

CAPACITY
UP TO 19800 LBS.

WHEELBASE
180 IN.

LOAD CENTER
48 IN.

INDUSTRIES



Intermodal/Port



Shipping Containers

STANDARD FEATURES

SAFETY

- Electrical horn
- Asbestos-free components
- Neutral safety switch
- Integrated overhead guard
- Operator Restraint System (ORS) seat
- Operator Presence Sensing System (OPSS)

PERFORMANCE

- CUMMINS® 6.7 liter, 6-cylinder Tier 3 diesel engine
 - Common rail electronic fuel injection system
 - Turbocharged and intercooled
- Dana model 32000 transmission with 3 forward and 3 reverse speeds
- 3-spool main control valve (lift, tilt, attachment)
- Independent brake & brake/declutch pedals
- Load-sensing, hydrostatic-powered steering
- Load-sensing steering & brake pump
- Upswept exhaust
- Side-post attachment with two ISO rear "floating" twistlocks
 - Extendable/retractable to 20' & 40' pick points
 - Large LED twistlock engagement indicator lights
 - Interlock safety system to ensure proper locking
 - 24" of side shift each way
- WTP blocks
- Warning lights
 - Battery charge
 - Low engine oil pressure
 - High transmission oil temperature
 - Park & service brake
- Integrated multifunction display – includes
 - Hour meter display
 - Fuel gauge
 - Low fuel warning light
 - Engine oil pressure gauge
 - Battery charge warning light
 - Water temperature gauge
 - Transmission temperature gauge
 - Transmission, air, & hydraulic filter indicator
 - Parking brake indicator
 - Oil pressure indicator
 - Service indicator
 - Engine water temperature indicator
 - Tachometer
 - Speedometer

DURABILITY

- Force-cooled wet disc brakes
- Planetary drive axle rated for durability in high-capacity, off-road applications
- Heavy-duty, welded steer axle
- Rigidly constructed welded frame
- Engine protection system
- High-capacity cooling system
- Open core radiator with fan shroud
- Welded-nested mast rails
- 12-Volt electrical system with 12V starter motor & alternator
- 2 12V batteries, each rated at 925 cold-cranking amps
- 2-Stage heavy-duty air cleaner
- 2-Stage wide visible mast (V)
- Steer axle stabilizer cylinders (ECH5-8 only)

ERGONOMICS/CABIN

- LED forward-facing cab-mounted headlights (4)
- LED forward-facing front fender-mounted headlights (2)
- LED forward-facing mast-mounted headlights (2)
- LED forward-facing attachment-mounted spreader headlights (2)
- LED rear-facing lights (2)
- Stairway lighting
- Strobe light
- Reverse travel alarm
- Single multifunction joystick control handle
- Key off headlights
- Sideview mirrors (right & left sides)
- Front indicator lights (stop, turn, tail, back up)
- Rear combination lights
- Elevated operator cab (ECH5-8 only)
- Dashless cab design for improved visibility
- Front & rear windshield washer/wiper
- Top-mounted windshield wiper
- Cabin doors with sliding windows
- Individually controlled front/rear wipers
- LED twistlock indicator lights inside cab
- Tilt steering column
- Left-hand directional shift lever
- Adjustable air-ride seat with retractable seat belts
- Lockable doors with greaseable hinges
- Cab heater & defroster
- Tinted glass to minimize glare
- 4 turn lock-to-lock steering wheel

SERVICEABILITY

- Electronic engine diagnostics with fault code history
- Easy-access filters
- Hydraulic multi-gauge
- Externally serviceable brakes
- Hinged engine hood with gas struts
- Bolt-on tanks, counterweights, cab super-structure & stairways (removable)
- External attachment spreader cylinders

OPTIONAL EQUIPMENT

POWERTRAIN

- Tier 3 diesel engine
- Tier 4i (interim) diesel engine
- Precleaner
- Exhaust purifier (Tier 3 only)
- Fitch fuel catalyst

LOAD HANDLING

- Mechanical pile slope
- Hydraulic pile slope
- 2-Point side post ISO – twistlock
- 2-Point side post – twin pick ISO – hook
- 4-Point top pick ISO – twistlock

COLD START AID

- Oil Pan Heater
- Engine Block Heater
- Hydraulic Tank Heater
- Fuel Heater (diesel)
- Battery Pad Warmer
- Coolant Preheater

CAB/CONTROLS

- Open cab (less doors, glass, wipers, heat)
- Air-conditioning
- AM/FM/CD with 2 speakers
- Auxiliary 12V power supply (pass through studs)
- Top sunshade
- Rear sunshade
- Single joystick control
- Orange seatbelt
- Auxiliary heater/front defrost
- Cab tilt
- 3-point seatbelt
- Floor-mounted computer stand

CHASSIS

- Counterweight towpin (recessed)
- Bellypan kit

INDICATORS & MISC.

- Forward camera system visibility aid
- Rear camera system visibility aid
- Dual camera system visibility aid
- Onboard load weighing system
- Onboard load weighing system (with tape printer)
- Fire extinguisher (5 lb. cab mount)
- Fire extinguisher (20 lb. chassis mount)
- Fire suppression system - twin agent auto/manual
- Rear object detection radar
- 4-Corner object detection radar
- Shock sensor warning system (with logging)
- Tire pressure monitoring system
- French canadian language
- 2Nd position keyswitch twistlock override
- Ground level E-Stop stations (1 each side)

HYDRAULIC

- Lift accumulator
- Tilt accumulator

ELECTRICAL

- Jumpstart receptacle
- Lockable battery isolator

LIGHTS/ALARMS

- HID work light upgrade (fender & counterweight)
- Extra strobe (magnetic)
- Forward travel alarm

SERVICE/MAINTENANCE

- Central Lubrication System
- Auto-lubrication System (Chassis)
- Auto-lubrication System (Spreader)
- Engine Oil Purification System
- Onboard Battery Trickle Charger

PAINT

- Custom color (single or dual)
- Chevron striping on counterweight
- Intermodal tire striping

WHEELS & TIRES

- Pneumatic
- Foam-filled pneumatic tires
- Solid pneumatic tires (lugged)
- Solid pneumatic tires (smooth)
- Extra tire/rim

TRUCK SPECIFICATIONS

MODEL NUMBERS

GENERAL DATA				THD1500-E3	THD1500-E4	THD1980-E5
Load Capacity (8'6" containers / max. height)		lb (kg)		15000 (6804) / 3-high	15000 (6804) / 4-high	19800 (8981) / 5-high
Load Capacity (9'6" containers / max. height)		lb (kg)		15000 (6804) / 3-high	15000 (6804) / 4-high	19800 (8981) / 4-high
Load Center		in (mm)		97 (2464)	97 (2464)	97 (2464)
Power Type				Diesel	Diesel	Diesel
Operator Position				Seated Rider	Seated Rider	Seated Rider
Tire Type		Front / Rear		Pneumatic	Pneumatic	Pneumatic
Wheels (x = driven)		Front / Rear		4x / 2	4x / 2	4x / 2
EXTERIOR DIMENSIONS				THD1500-E3	THD1500-E4	THD1980-E5
A	Mast Extended Height	in (mm)		390 (9906)	504 (12802)	558 (14173)
	Free Lift	in (mm)		0 (0)	0 (0)	0 (0)
B	Height to Top of Attachment (lowered) (T x W x L)	in (mm)		110 (2794)	110 (2794)	105 (2667)
C	Height to Top of Twistlock (lowered)	in (mm)		88 (2235)	88 (2235)	85 (2159)
D	Tilt Range (forward / backward)	deg		3/5	3 / 5	3 / 5
E	Overall Width	in (mm)		157 (3981)	157 (3981)	162 (4115)
F	Mast Lowered Height	in (mm)		233 (5918)	290 (7366)	328 (8331)
G	Overhead Guard Height (top of cab)	in (mm)		168 (4267)	168 (4267)	210 (5334)
H	Turning Radius (outside)	in (mm)		218 (5537)	218 (5537)	242 (6147)
I	Turning Radius (with 40 ft. container)	in (mm)		365 (9271)	365 (9271)	349 (8865)
J	Length to Load Face (centerline of front axle to front face of attachment)	in (mm)		50 (1270)	50 (1270)	51 (1295)
K	Length to Load (centerline of front axle to center of load)	in (mm)		98 (2489)	98 (2489)	99 (2515)
	Overall Truck Length	in (mm)		232 (5893)	232 (5893)	277 (7036)
L	Basic Right-Angle Stacking Aisle Width (includes 24" safety margin) 20 ft. / 40 ft. Cont.	in (mm)		429 (10897) / 535 (13589)	429 (10897) / 535 (13589)	416 (10566) / 559 (14198)
PERFORMANCE DATA				THD1500-E3	THD1500-E4	THD1980-E5
Speeds	Maximum Travel (forward / reverse)	Full Load	mph (km/h)	25 (40)	25 (40)	17 (27)
		No Load	mph (km/h)	25 (40)	25 (40)	17 (27)
	Lifting	Full Load	fpm (mm/sec)	133 (680)	133 (680)	125 (640)
		No Load	fpm (mm/sec)	133 (680)	133 (680)	125 (640)
	Lowering	Full Load	fpm (mm/sec)	98 (500)	98 (500)	105 (530)
		No Load	fpm (mm/sec)	98 (500)	98 (500)	105 (530)
Drawbar Pull	Maximum	Full Load	lb (kg)	17123 (7767)	17123 (7767)	22600 (10250)
		No Load	lb (kg)	—	—	—
Gradeability	1 mph (1.5km/h)	Full Load	%	—	—	—
		Maximum	%	15.9	15.9	23
		No Load	%	18.6	18.6	44
TRUCK WEIGHTS				THD1500-E3	THD1500-E4	THD1980-E5
Total Weight		lb (kg)		92519 (41966)	97994 (44450)	85798 (38917)
Weight Distribution	Full Load (front / rear)	lb (kg)		83325 (37796) / 24194 (10974)	88800 (40279) / 24194 (10974)	92381 (41903) / 13217 (5995)
	No Load (front / rear)	lb (kg)		57387 (26030) / 35132 (15936)	62862 (28514) / 35132 (15936)	62021 (28132) / 23777 (10785)
TIRES				THD1500-E3	THD1500-E4	THD1980-E5
Tires	Number (front / rear)			4/2	4 / 2	4 / 2
	Size (front / rear)			12-24 x 20PR / 12-24 x 20PR	12-24 x 20PR / 12-24 x 20PR	14-24 x 20PR / 14-24 x 20PR
Wheelbase		in (mm)		144 (3658)	144 (3658)	180 (4572)
M	Tread Width (front)		in (mm)	129 (3277)	129 (3277)	129 (3277)
N	Tread Width (rear)		in (mm)	79 (2007)	79 (2007)	92 (2337)
O	Underclearance (full load)	in (mm)		13 (330)	13 (330)	13 (330)
	Center of Wheelbase	in (mm)		14 (356)	14 (356)	16 (406)
P	Brake		Service (foot) / Parking	Wet disc / Caliper	Wet disc / Caliper	Wet disc / Caliper
POWER SYSTEM				THD1500-E3	THD1500-E4	THD1980-E5
Battery (5-hour rating)		V / Ah		12 / TBD	12 / TBD	12 / TBD
Internal Combustion Engine	Make / Model			CUMMINS 6.7L QSB	CUMMINS 6.7L QSB	CUMMINS 6.7L QSB
	Rated Horsepower @ rpm	SAE HP		160 @ 2500	160 @ 2500	240 @ 2500
		(kW)		(119 @ 2500)	(119 @ 2500)	(179 @ 2500)
	Rated Torque @ rpm	SAE ft-lb		336 @ 2500	336 @ 2500	504 @ 2500
		(N-m)		(456 @ 2500)	(456 @ 2500)	(683 @ 2500)
	Number of Cylinders			6	6	6
Piston Displacement		cu in (cc)		409 (6702)	409 (6702)	409 (6702)
Fuel Tank Capacity		US gal (liter)		148 (560.2)	148 (560)	115 (435)
Transmission	Type			POWERSHIFT - AUTOSHIFT	POWERSHIFT - AUTOSHIFT	POWERSHIFT - AUTOSHIFT
	Speeds (forward / reverse)			3 / 3	3 / 3	3 / 3
Auxiliary Hydraulic Function Specifications (for attachments)	Max. Operating Pressure		psi (kg/cm2)	3125 (219.7)	3125 (219.7)	3125 (219.7)
	Max. Flow Rate		gpm (lpm)	25 (94.6)	25 (94.6)	25 (94.6)

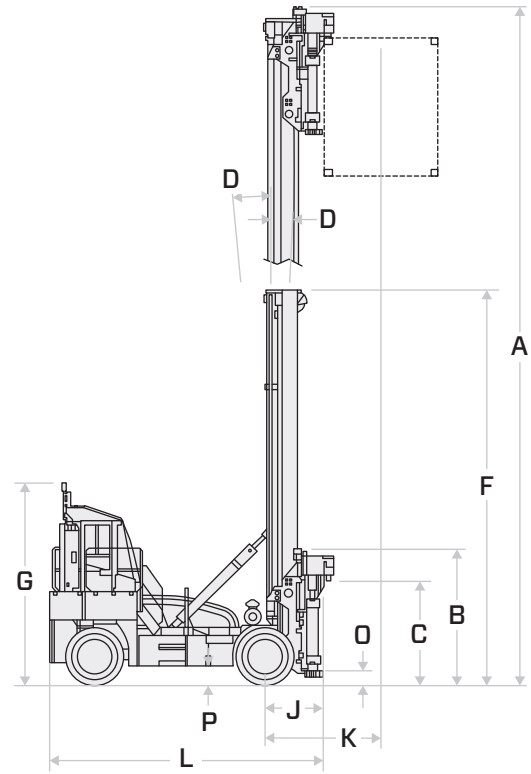
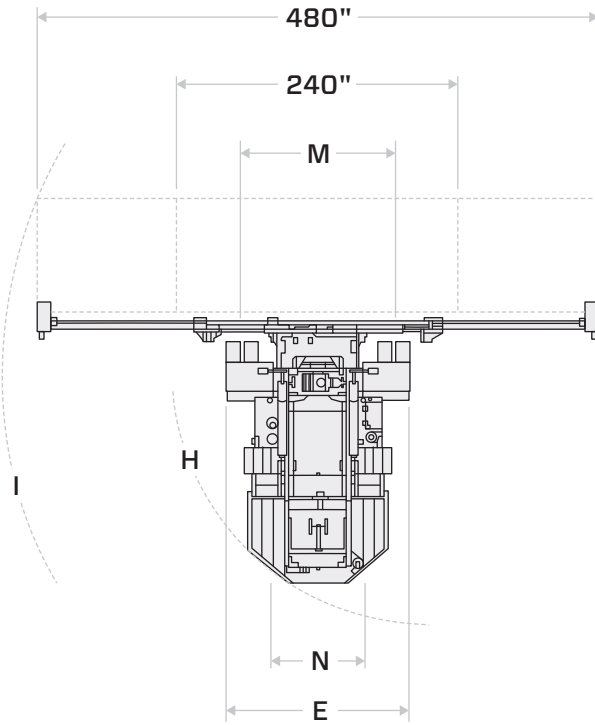
TRUCK SPECIFICATIONS

MODEL NUMBERS

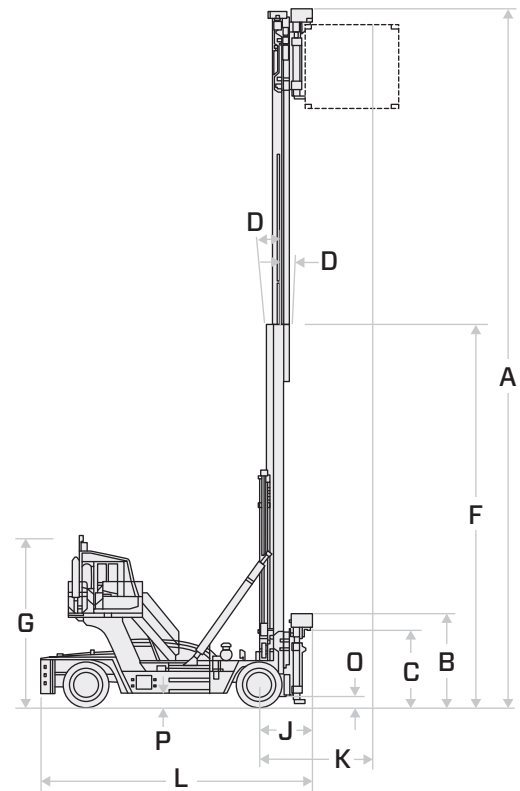
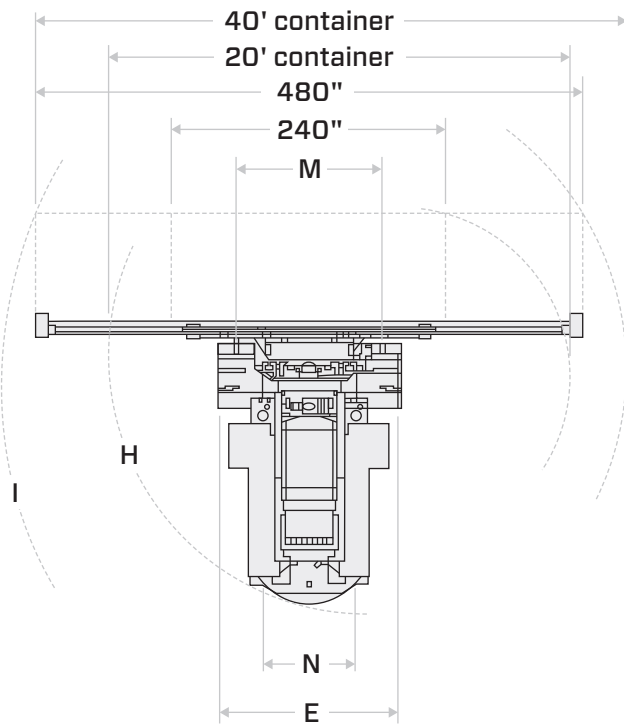
GENERAL DATA				THD1980-E6	THD1980-E7	THD1980-E8
Load Capacity (8'6" containers / max. height)		lb (kg)		19800 (8981) / 6-high	19800 (8981) / 7-high	19800 (8981) / 8-high
Load Capacity (9'6" containers / max. height)		lb (kg)		19800 (8981) / 5-high	19800 (8981) / 6-high	19800 (8981) / 7-high
Load Center		in (mm)		97 (2464)	97 (2464)	97 (2464)
Power Type				Diesel	Diesel	Diesel
Operator Position				Seated Rider	Seated Rider	Seated Rider
Tire Type		Front / Rear		Pneumatic	Pneumatic	Pneumatic
Wheels (x = driven)		Front / Rear		4x / 2	4x / 2	4x / 2
EXTERIOR DIMENSIONS				THD1980-E6	THD1980-E7	THD1980-E8
A	Mast Extended Height	in (mm)		660 (16764)	762 (19355)	861 (21946)
	Free Lift	in (mm)		0 (0)	0 (0)	0 (0)
B	Height to Top of Attachment (lowered) (T x W x L)	in (mm)		105 (2667)	105 (2667)	105 (2667)
C	Height to Top of Twistlock (lowered)	in (mm)		85 (2159)	85 (2159)	85 (2159)
D	Tilt Range (forward / backward)	deg		3 / 5	3 / 5	3 / 5
E	Overall Width	in (mm)		162 (4115)	182 (4623)	182 (4623)
F	Mast Lowered Height	in (mm)		379 (9627)	430 (10922)	481 (12217)
G	Overhead Guard Height (top of cab)	in (mm)		210 (5334)	210 (5334)	210 (5334)
H	Turning Radius (outside)	in (mm)		242 (6147)	242 (6147)	242 (6147)
I	Turning Radius (with 40 ft. container)	in (mm)		349 (8865)	349 (8865)	349 (8865)
J	Length to Load Face (centerline of front axle to front face of attachment)	in (mm)		51 (1295)	51 (1295)	51 (1295)
K	Length to Load (centerline of front axle to center of load)	in (mm)		99 (2515)	99 (2515)	99 (2515)
	Overall Truck Length	in (mm)		277 (7036)	277 (7036)	277 (7036)
L	Basic Right-Angle Stacking Aisle Width (includes 24" safety margin) 20 ft. / 40 ft. Cont.	in (mm)		416 (10566) / 559 (14198)	416 (10566) / 559 (14198)	416 (10566) / 559 (14198)
PERFORMANCE DATA				THD1980-E6	THD1980-E7	THD1980-E8
Speeds	Maximum Travel (forward / reverse)	Full Load	mph (km/h)	17 (27)	17 (27)	17 (27)
		No Load	mph (km/h)	17 (27)	17 (27)	17 (27)
	Lifting	Full Load	fpm (mm/sec)	125 (640)	125 (640)	125 (640)
		No Load	fpm (mm/sec)	125 (640)	125 (640)	125 (640)
	Lowering	Full Load	fpm (mm/sec)	105 (530)	105 (530)	105 (530)
		No Load	fpm (mm/sec)	105 (530)	105 (530)	105 (530)
Drawbar Pull	Maximum	Full Load	lb (kg)	22600 (10250)	22600 (10250)	22600 (10250)
		No Load	lb (kg)	—	—	—
Gradeability	1 mph (1.5km/h)	Full Load	%	—	—	—
		No Load	%	—	—	—
	Maximum	Full Load	%	23	23	23
		No Load	%	44	44	44
TRUCK WEIGHTS				THD1980-E6	THD1980-E7	THD1980-E8
Total Weight		lb (kg)		89456 (40577)	92470 (41944)	96342 (43700)
Weight Distribution	Full Load (front / rear)	lb (kg)		92423 (41922) / 13378 (6068)	93448 (42387) / 16622 (7540)	95523 (43329) / 18419 (8355)
	No Load (front / rear)	lb (kg)		14633 (6637) / 24313 (11028)	66486 (30159) / 25984 (11786)	68243 (30955) / 28099 (12745)
TIRES				THD1980-E6	THD1980-E7	THD1980-E8
Tires	Number (front / rear)			4 / 2	4 / 2	4 / 2
	Size (front / rear)			14-24 x 20PR / 14-24 x 20PR	14-24 x 20PR / 14-24 x 20PR	14 x 20PR / 14-24 x 20PR
Wheelbase		in (mm)		180 (4572)	180 (4572)	180 (4572)
M	Tread Width (front)	in (mm)		129 (3277)	149 (3785)	149 (3785)
N	Tread Width (rear)	in (mm)		92 (2337)	92 (2337)	92 (2337)
O	Underclearance (full load)	Minimum with Load	in (mm)	13 (330)	13 (330)	13 (330)
		Center of Wheelbase	in (mm)	16 (406)	16 (406)	16 (406)
P	Brake	Service (foot) / Parking		Wet disc / Caliper	Wet disc / Caliper	Wet disc / Caliper
POWER SYSTEM				THD1980-E6	THD1980-E7	THD1980-E8
Battery (5-hour rating)		V / Ah		12 / TBD	12 / TBD	12 / TBD
Internal Combustion Engine	Make / Model			CUMMINS 6.7L QSB	CUMMINS 6.7L QSB	CUMMINS 6.7L QSB
	Rated Horsepower @ rpm	SAE HP		240 @ 2500	240 @ 2500	240 @ 2500
		(kW)		(179 @ 2500)	(179 @ 2500)	(179 @ 2500)
	Rated Torque @ rpm	SAE ft-lb		504 @ 2500	504 @ 2500	504 @ 2500
		(N-m)		(683 @ 2500)	(683 @ 2500)	(683 @ 2500)
	Number of Cylinders			6	6	6
Piston Displacement		cu in (cc)		409 (6702)	409 (6702)	409 (6702)
Fuel Tank Capacity		US gal (liter)		115 (435)	115 (435)	115 (435)
Transmission	Type			POWERSHIFT - AUTOSHIFT	POWERSHIFT - AUTOSHIFT	POWERSHIFT - AUTOSHIFT
	Speeds (forward / reverse)			3 / 3	3 / 3	3 / 3
Auxiliary Hydraulic Function Specifications (for attachments)	Max. Operating Pressure		psi (kg/cm2)	3125 (219.7)	3125 (219.7)	3125 (219.7)
	Max. Flow Rate		gpm (lpm)	25 (94.6)	25 (94.6)	25 (94.6)

EXTERIOR DIMENSIONS

THD1500-E3-E4



THD1980-E5-E6-E7-E8



MAST SPECIFICATIONS

MAST TYPE	MAST EXTENDED HEIGHT	MAST LOWERED HEIGHT	FREE-LIFT	TILT RANGE		LOAD CAPACITY	
				FWD	BWD	W/ 8'6" CONTAINERS	W/ 9'6" CONTAINERS
				deg	deg	lb (kg)	lb (kg)
THD1500-E3							
Wide Visible (V)	390 (9906)	233 (5918)	0 (0)	3	5	15000 (6804) / 3-high	15000 (6804) / 3-high
THD1500-E4							
Wide Visible (V)	504 (12802)	290 (7366)	0 (0)	3	5	15000 (6804) / 4-high	15000 (6804) / 4-high
THD1980-E5							
Wide Visible (V)	558 (14173)	328 (8331)	0 (0)	3	5	19800 (8981) / 5-high	19800 (8981) / 4-high
THD1980-E6							
Wide Visible (V)	660 (16764)	379 (9627)	0 (0)	3	5	19800 (8981) / 6-high	19800 (8981) / 5-high
THD1980-E7							
Wide Visible (V)	762 (19355)	430 (10922)	0 (0)	3	5	19800 (8981) / 7-high	19800 (8981) / 6-high
THD1980-E8							
Wide Visible (V)	861 (21946)	481 (12217)	0 (0)	3	5	19800 (8981) / 8-high	19800 (8981) / 7-high

Some product features described herein are optional. Please consult your dealer for specifications.
Details of specifications and equipment are based on information available at time of printing and may change without notice.



INDUSTRIAL EQUIPMENT

REACH NEW HEIGHTS

00722ECHSS

©2016 Toyota Material Handling, U.S.A., Inc.