

COMBiLiFT

LIFTING INNOVATION

C5000-C6000

The multi-directional forklift designed for the safe, space saving and productive handling of long and bulky loads.



COMBi C-Series

combilift.com

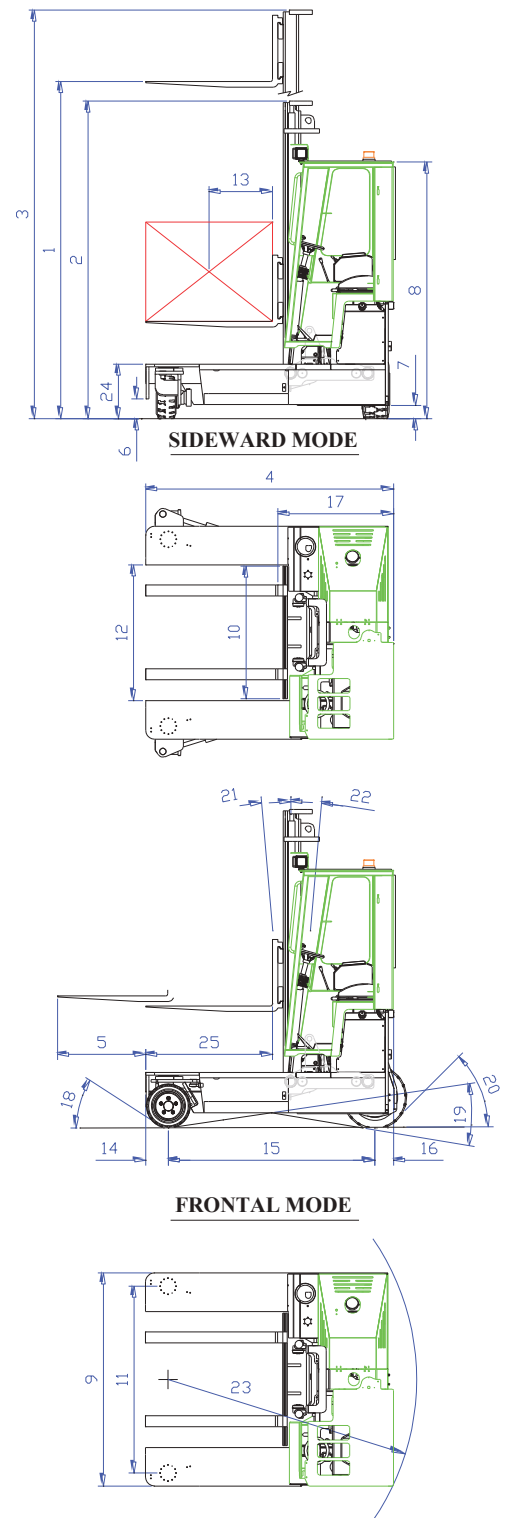
REF.	DESCRIPTION	C5000	C6000
1a	Standard Lift Height		159"
1b	Free Lift Height		0"
2	Height Mast Closed		104"
3	Max. (Mast Raised)		188"
4	Overall Length	75"	89"
5	Mast Travel	33½"	47½"
6	Ground Clearance Under Mast		6"
7	Ground Clearance to Wheelbase Center		5"
8	Height Over Cab or of Overhead Guard		92"
9	Width		76"
10	Outside Spread of Fork Arms		47"
11	Track Front		68"
12	Frame Opening		48"
13	Load Center Distance		24"
14	Overhang Front		8"
15	Wheel Base	60"	74"
16	Overhang Back		7"
17	Length from Face of Fork		43½"
18	Approach Angle		45°
19	Ramp Angle		17°
20	Departure Angle		45°
21	Forward Tilt		2°
22	Backward Tilt		4°
23	Minimum Outside Radius	75"	87"
24	Platform Height		19½"
25	Platform Length	31½"	45¼"
A	Capacity	5000 lbs	6000 lbs
B	Unladen Weight	10,350 lbs	10,800 lbs
C	Maximum Ground Speed		9 mph
D	Gradeability		10%
E	Kubota V1505-T Diesel / GM 3L Tier 4 LPG		32 HP/ 65 HP
F	Electrics		12 Volt
G	Fork Sections 1¾" x 6" x	31½"	45¼"
H	16 x 7 - 10.5 Front Tire		OD 16"/ Width 7"
I	23 x 10 - 12 Rear Tire		OD 23"/ Width 10"
J	Standard Color		Green and Gray
K	Suspension Seat		KAB Model 211

European Patent No. 2167416; Brazilian Patent No. P10811954-6; Australian Patent No. 2008253242

Features Include:

- Rubber Mounted Half Open Cabin
- Multi-Directional Operation
- 3 Wheel Hydrostatic Drive
- Load Sensing Steering
- 4 Way Lever Positioning of Wheels
- Hydraulic Oil Cooler

Distributed by:



303 Concord Street
Greensboro
North Carolina 27406
Toll Free: 1-877 COMBI 56
Tel: 336-378-8884
info@combilift.com

Combilift has a policy of continuous product development and reserves the right to alter specifications without prior notice. Specifications and/or dimensions may vary from those illustrated in some countries.

COMBI C5000-C6000

combilift.com