

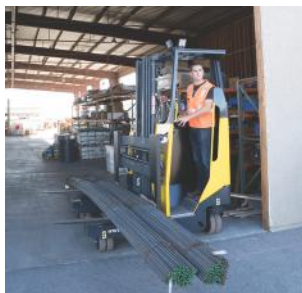
# COMBiLiFT

LIFTING INNOVATION

## COMBi-MR

### *Multi-directional Reach truck*

The Combi-MR is Combilift's multi-directional stand-on reach truck which offers superb manoeuvrability and safety in the tightest working conditions.



COMBi-MR

[combilift.com](http://combilift.com)

REF.	DESCRIPTION	Standard	Optional
1a	Max. Lift Height	159"	218"
1b	Freelift Height	0"	58"
2	Height Mast Closed	105"	98"
3	Max. (Mast raised)	187"	257"
4	Overall Length	75"	
5	Mast Travel	34"	
6	Ground Clearance Under Mast	4"	
7	Ground Clearance to Centre of Wheelbase	4"	
8	Height Over Cab (Without work lights)	98"	
9	Overall Width	73"	
10	Width over forks	82"	
11	Track Front	57"	
12	Frame Opening	37½"	
13	Load Centre Distance	24"	
14	Overhang Front	8"	
15	Wheelbase	58"	
16	Overhang Back	9"	
17	Length From Face of Fork	43½"	
18	Approach Angle	35°	
19	Ramp Angle	15°	
20	Departure Angle	35°	
21	Forward Tilt	2°	
22	Backward Tilt	4°	
23	Minimum Outside Radius	77"	
24	Platform Height	15"	
25	Platform Length	31½"	
A	Capacity	5,000 lbs	
B	Unladen Weight	11,000 lbs	
C	Maximum Ground Speed	7 mph	
D	Gradability	7%	
E	AC Rear Drive	8 HP	
F	Battery	48V x 750Ah	
G	Fork Section	2" x 4" x 45"	
H	Vulkollan Front Tyre	OD 10" / Width 3"	
I	Solid Rubber Rear Tyre	OD 16¼" / Width 7"	
J	Standard Colour	Yellow & Gray	

## COMBI-MR

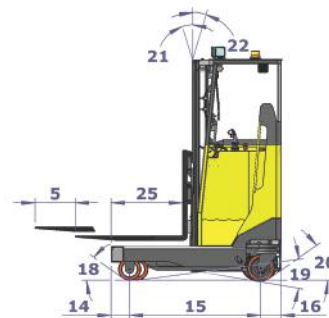
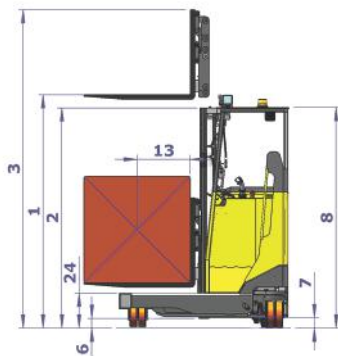
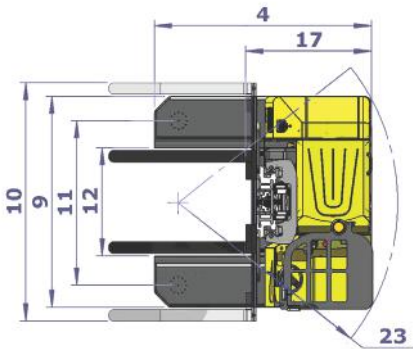
### Multi-directional Reach truck

This compact truck features one rear wheel drive with a large rubber tire and 360° steering rotation. The multi-functional controlled joystick allows the operator to change direction and travel speed in a smooth seamless motion, in addition to full control of all the hydraulic functions. This contributes to faster procedures for manufacturing, distribution and logistics operations.



#### Features Include:

- Standing operator over-head guard
- Multi-direction operation
- AC electric steering
- AC motor technology
- Multi-function joystick
- Optional integrated hydraulic fork positioner



303 Concord Street  
Greensboro  
North Carolina 27406  
Toll free: 1-877 COMBI 56  
Tel: 336-378-8884  
info@combilift.com

Combilift has a policy of continuous product development and reserves the right to alter specifications without prior notice. Specifications and/or dimensions may vary from those illustrated in some countries.

# COMBI-MR

[combilift.com](http://combilift.com)