

COMBiLiFT

LIFTING INNOVATION

COMBi-WR4

The first purpose built 4-way pedestrian reach stacker combining multi-directional travel, innovative features and effortless operation.



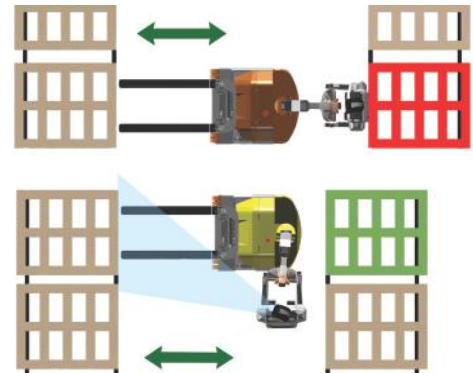
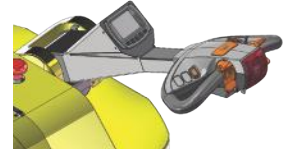
COMBi-WR4

combilift.com

REF.	DESCRIPTION	Std.	Optional	
1a	Max. Lift Height	118"	165"	193"
1b	Free Lift Height	35½"	59"	73"
2	Height Mast Closed	83"	106"	120"
3	Max. (Mast Raised)	165"	213"	240"
4	Overall Length	77"		
5	Fork Travel	23"		
6	Ground Clearance Under Mast	3"		
7	Ground Clearance to Center of Wheelbase	2"		
8	Width	59½"		
9	Outside Spread of Fork Arms	32"		
10	Track Front	51"		
11	Frame Opening	41½"		
12	Load Center Distance	24"		
13	Overhang Front	26"		
14	Wheelbase	44"		
15	Overhang Back	7"		
16	Fork Side Shift	3" Left / 3" Right		
17	Length from Face of Fork	34½"		
18	Fork Backward Tilt	3°		
19	Fork Forward Tilt	3°		
20	Minimum Outside Radius	53"		
21	Leg Height	11"		
22	Leg Length	21"		
A	Capacity	3,100 lbs @ 125" Lift		
B	Unladen Weight	5,700 lbs	6,000lbs	6,200 lbs
C	Maximum Ground Speed	3¾ mph		
D	Gradeability	5 %		
E	Battery Capacity	24V / 270 Ah		
F	Fork Section	1½" x 4" x 42"		
G	Front Tire x 4 (Polyurethane)	OD 8" / Width 2"		
H	Rear Tire (Vulkollan)	OD 10" / Width 3"		
I	Standard Color	Yellow & Gray		
J	AC Electric Traction Motor	24V / 3.35 HP		
K	AC Electric Pump Motor	24V / 6.7 HP		

Superior safety with Combilift's patented Multi Position Tiller Arm

The tiller can be turned to the left or right, allowing the operator to remain at the side, providing full visibility of the load and forks, while maintaining full steering control, enabling greater awareness of their surroundings which enhances overall safety.

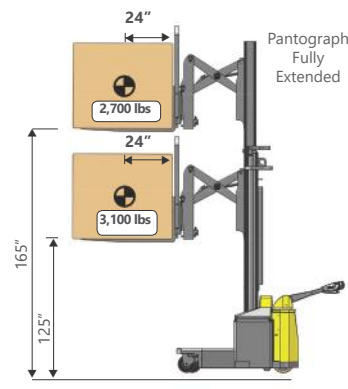
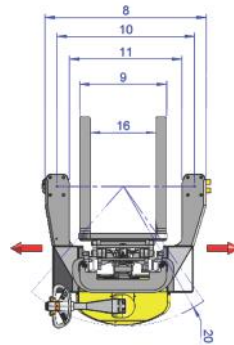
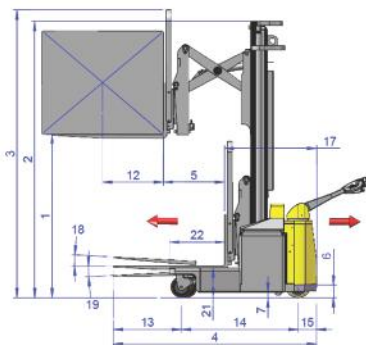


Standing to the side of the stacker eliminates the risk of being trapped or crushed whilst allowing the Combi-WR4 to operate in very narrow aisles.

Features Include:

- Pantograph
- Power Steering
- AC Motor Technology
- Multi-Directional
- 47" High Load Back Rest
- Rear Wheel Drive
- 3/3" Side Shift
- Patented Multi-Position Tiller Arm

International Application No. PCT/EP2012/067238 Multi Position Tiller; GB Patent No. 2531778; International Patent Application No. PCT/EP2015/074906.



Load Capacity Chart

303 Concord Street
Greensboro
North Carolina 27406
Toll free: 1-877 COMBI 56
Tel: 336-378-8884
info@combilift.com

Combilift has a policy of continuous product development and reserves the right to alter specifications without prior notice. Specifications and/or dimensions may vary from those illustrated in some countries.

COMBI-WR4

combilift.com