

COMBiLiFT

LIFTING INNOVATION

COMBi-XL

The multi-directional forklift designed for the safe, space saving and productive handling of long and bulky loads.



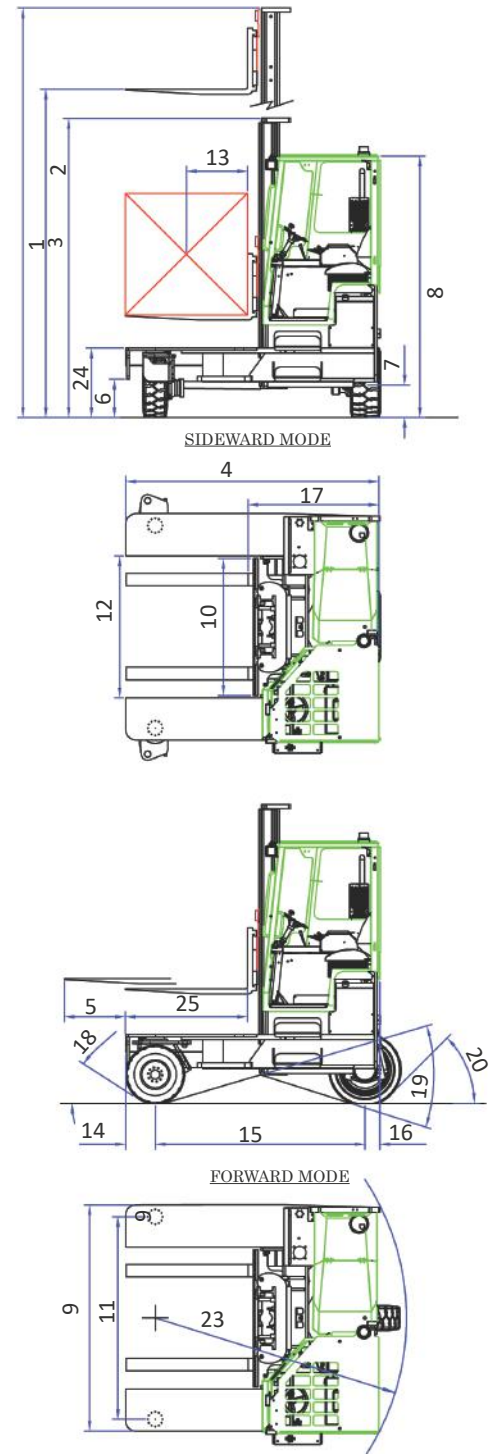
Wider Cab for increased Comfort



COMBi-XL

combilift.com

REF.	DESCRIPTION	C10,000 XL	C12,000 XL
1a	Standard Lift Height	159"	
1b	Free Lift Height	0"	
2	Height Mast Closed	118"	
3	Max. (Mast Raised)	197"	
4	Overall Length	98"	104"
5	Mast Travel	53"	55"
6	Ground Clearance Under Mast	11"	
7	Ground Clearance to Wheelbase Center	10½"	
8	Height Over Cab or of Overhead Guard	102"	
9	Width	88"	
10	Outside Spread of Fork Arms	53"	
11	Track Front	78"	
12	Frame Opening	55"	
13	Load Center Distance	24"	
14	Overhang Front	11½"	
15	Wheel Base	81½"	
16	Overhang Back	5½"	
17	Length from Face of Fork	51"	53"
18	Approach Angle	45°	
19	Ramp Angle	29°	
20	Departure Angle	45°	
21	Forward Tilt	3°	
22	Backward Tilt	5°	
23	Minimum Outside Radius	98"	
24	Platform Height	27"	
25	Platform Length	47"	51"
A	Capacity	11,000 lbs	12,000 lbs
B	Unladen Weight	15,000 lbs	17,000 lbs
C	Maximum Ground Speed	9 mph	
D	Gradeability	15%	
E	Kubota V2403 T Diesel / 3 ltr GM LPG	60 HP / 65 HP	
F	Electrics	12 Volt	
G	Fork Section	2" x 6" x 47"	
H	23 x 10 - 12 Front Tire	OD 23" / Width 10"	
I	28 x 12.5 - 15 Rear Tire	OD 28" / Width 11"	
J	Standard Color	Green and Gray	
K	Suspension Seat	KAB Model 116	



International Patent Application No. PCT/Ep2014/053066; UK Patent Application No. GB 1302811.3

Features Include:

- Rubber Mounted Cabin
- Multi-Directional Operation
- 3 Wheel Hydrostatic Drive
- Load Sensing Steering
- 4 Way Lever Positioning of Wheels
- Hydraulic Oil Cooler

Distributed by:

303 Concord Street
Greensboro
North Carolina 27406
Toll free: 1-877 COMBI 56
Tel: 336-378-8884
info@combilift.com

Combilift has a policy of continuous product development and reserves the right to alter specifications without prior notice. Specifications and/or dimensions may vary from those illustrated in some countries.

COMBi-XL

combilift.com