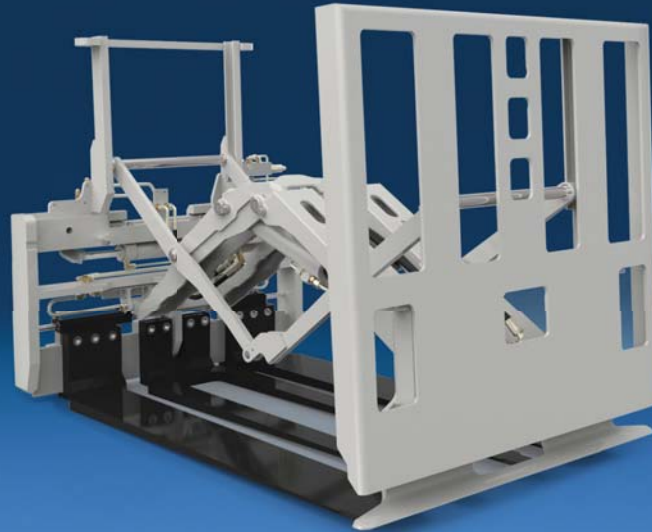


# Flexibility to Handle Slipsheeted and Palletized Product



Adjustable outer platens to carry pallets



Adjustable outer platens to handle slipsheets



High visibility faceplate



Hydraulic sequence valve model eliminates hoses & cables over the mast



4° tilting faceplate

## APPLICATIONS

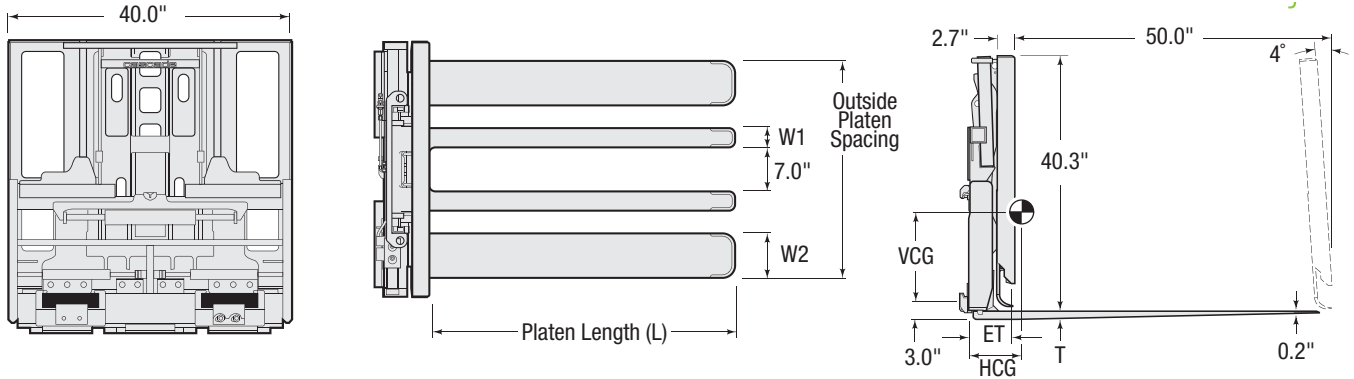
The Cascade Mark 55 Push/Pull is the solution for applications using both slipsheets and pallets in their operation. Hydraulically positionable outer platens are easily opened for conventional slipsheet handling, and closed to allow pallet handling.

## OPTIONS

- Quick-Change hydraulic couplers.
- Hydraulic flow control valve.
- Optional faceplate sizes.
- Optional platen sizes.
- Optional platen positions.
- Faceplate stop group.
- Truck-mounted solenoid adaption group.
- Hydraulic load cushion.
- Class III mounting (45E only).
- Wireless Power & Communication (WPC) System (See back for more information).

## FEATURES

- Your choice of either Hydraulic Sequence Valve or Electronic Solenoid Valve configuration for platen adjust.
- Hydraulically adjustable outer platens easily configures Push/Pull for handling both pallets and slipsheets.
- Sideshifting capability standard for precise positioning and increased productivity.
- High visibility pantograph, gripper jaw and faceplate.
- 4° tilting faceplate to easily grab slipsheet tabs when the mast is tilted forward.
- Protected hydraulics ensure maximum longevity of the attachment.
- Your choice of bolt-on or quick disconnect lower hook mounting.



Minimum carriage width sideshifting – 36"

Catalog Order No.	Capacity@ 24" (600 mm) Load Center		Type	Inner Platen Width W1	Outer Platen Width W2	Platen Size L x T	Mfg. Class/ Lower Hook Type	Outside Platen Spacing	Weight		Effective Thickness ET	Horizontal Ctr. of Gravity HCG	Vertical Ctr. of Gravity VCG
	lbs	kg							lbs	kg			
<b>Sequence Valve Equipped Platen Adjust</b>													
35E-PHS-A012	3,500	1,590	Sideshift, Platen Adjust	3"	7"	48" x 1.25"	II Bolt-On	28"-40"	1,145	520	7.6"	6.9"	10.2"
35E-PHS-A013	3,500	1,590		5"	5"	48" x 1.50"	II Bolt-On	28"-40"	1,200	545	7.6"	8.2"	9.9"
35E-PHS-Q012	3,500	1,590		3"	7"	48" x 1.25"	II Q.D.	28"-40"	1,145	520	7.6"	6.9"	10.2"
35E-PHS-Q013	3,500	1,590		5"	5"	48" x 1.50"	II Q.D.	28"-40"	1,200	545	7.6"	8.2"	9.9"
45E-PHS-A012	4,500	2,045		3"	7"	48" x 1.25"	II Bolt-On	28"-40"	1,150	522	7.6"	6.9"	10.2"
45E-PHS-A013	4,500	2,045		5"	5"	48" x 1.50"	II Bolt-On	28"-40"	1,205	548	7.6"	8.2"	9.9"
45E-PHS-Q012	4,500	2,045		3"	7"	48" x 1.25"	II Q.D.	28"-40"	1,150	522	7.6"	6.9"	10.2"
45E-PHS-Q013	4,500	2,045		5"	5"	48" x 1.50"	II Q.D.	28"-40"	1,205	548	7.6"	8.2"	9.9"

- ▶ This unit is equipped with a hydraulic Sequence Valve which provides a method to Sideshift and Platen Adjust using a single hydraulic function. This factory installed configuration eliminates the need for hose reels, solenoid buttons, power cords or cable reels.
- ▶ Sideshift Termination Left, Push/Pull Termination Right. For other termination options please consult Cascade.
- ▶ A four-way hydraulic valve with 3<sup>rd</sup> and 4<sup>th</sup> function hydraulic hosing is required on the truck.
- ▶ Operation: The Sideshift and Push/Pull functions are actuated directly by the truck's 3<sup>rd</sup> and 4<sup>th</sup> hydraulic hand levers. To operate Platen Adjust, the unit is sidshifted fully to one side whereby the Sequence Valve will then divert the hydraulic flow to the Platen Adjust function.
- ▶ Sideshifting Push/Pulls sidshift 4" either side of center.

**HYDRAULIC FUNCTIONS**

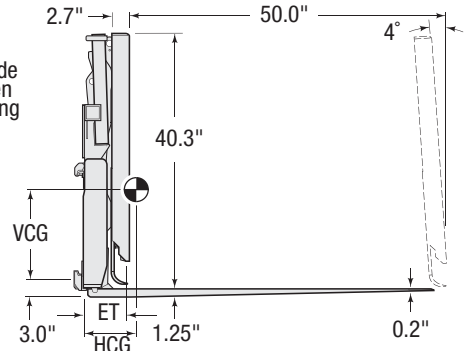
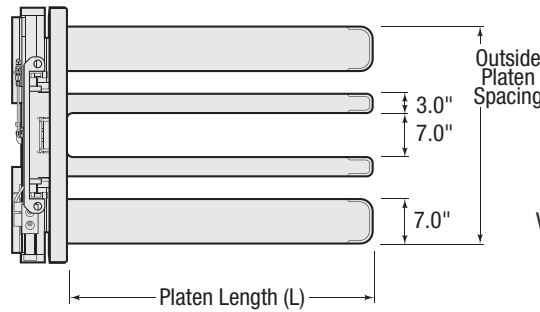
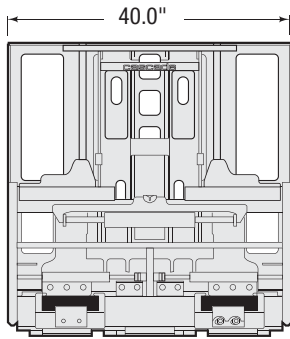
Model	Hydraulic Functions	Truck Auxiliary Valves Required
Mark 55 PHS	3	2

**MOUNTING CLASS INFORMATION**

Mounting Class	Truck Capacity
II	2,000 to 5,500 lbs

**HYDRAULIC FLOW & PRESSURE**

MODEL	Maximum Pressure psi/bar	Number of Functions	Min-Rec-Max Function 1 (sideshift) gpm	Min-Rec-Max Function 2 (push/pull) gpm	Min-Rec-Max Function 3 (solenoid valve) gpm
Mark 55, Sideshifting Platens, Sheet-Sav, Load Push	2,300/159	3	1 - 2 - 3	4 - 7 - 10	4 - 7 - 10



Minimum carriage width sideshifting – 36"

Catalog Order No.	Capacity@ 24" (600 mm) Load Center		Type	Inner Platen Size WxL	Outer Platen Size WxL	Mfg. Class/Lower Hook Type	Outside Platen Spacing	Weight		Effective Thickness ET	Horizontal Ctr. of Gravity HCG	Vertical Ctr. of Gravity VCG
	lbs	kg						lbs	kg			
<b>Solenoid Equipped Platen Adjust</b>												
35E-PHS-A011	3,500	1,590	Sideshift, Platen Adjust 3" x 48" 7" x 48" II Bolt-On	28"-40"	1,145	520	7.6"	6.9"	10.2"			
35E-PHS-Q011	3,500	1,590	Sideshift, Platen Adjust 3" x 48" 7" x 48" II Q.D.	28"-40"	1,145	520	7.6"	6.9"	10.2"			
45E-PHS-A011	4,500	2,045	Sideshift, Platen Adjust 3" x 48" 7" x 48" II Bolt-On	28"-40"	1,150	522	7.6"	6.9"	10.2"			
45E-PHS-Q011	4,500	2,045	Sideshift, Platen Adjust 3" x 48" 7" x 48" II Q.D.	28"-40"	1,150	522	7.6"	6.9"	10.2"			

- ▶ This unit is equipped with an electrically activated Solenoid Valve for the Platen Adjust function.
- ▶ **IMPORTANT:** Solenoid voltage must match truck voltage. This unit is equipped with a 12-Volt Solenoid. If you require a different voltage, please specify at time of order.
- ▶ A four-way hydraulic valve with 3<sup>rd</sup> and 4<sup>th</sup> function hydraulic hosing is required on the truck.
- ▶ Sideshift Termination Left, Push/Pull Termination Right. For other termination options please consult Cascade.
- ▶ A control knob with push button is included and is to be installed on truck's 4<sup>th</sup> function hand lever (Push/Pull function).
- ▶ Operation: The Sideshift and Push/Pull functions are actuated directly by the trucks 3<sup>rd</sup> and 4<sup>th</sup> hydraulic hand levers. To operate Platen Adjust, depress the Solenoid button on the truck's 4<sup>th</sup> function hand lever then activate the hand lever.
- ▶ Requires Power Cord or Cable Reel. See Wireless Power & Communication (WPC) System (on the back page) to eliminate the need for Power Cord and Cable Reel.
- ▶ Sideshifting Push/Pulls sideshift 4" either side of center.
- ▶ 5" wide inner and outer platens available, consult Cascade.

**HYDRAULIC FUNCTIONS**

Model	Hydraulic Functions	Truck Auxiliary Valves Required
Mark 55 PHS	3	2

**MOUNTING CLASS INFORMATION**

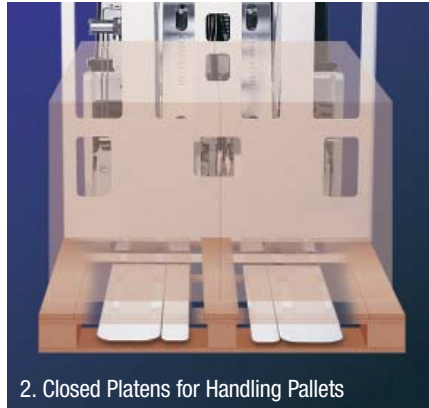
Mounting Class	Truck Capacity
II	2,000 to 5,500 lbs

**HYDRAULIC FLOW & PRESSURE**

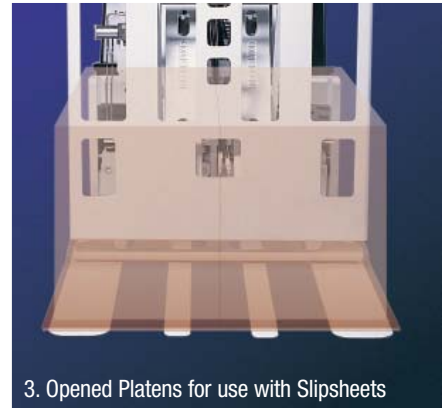
MODEL	Maximum Pressure psi/bar	Number of Functions	Min-Rec-Max Function 1 (Sideshift) gpm	Min-Rec-Max Function 2 (Push/Pull) gpm	Min-Rec-Max Function 3 (Solenoid Valve) gpm
Mark 55, Sideshifting Platens, Sheet-Sav, Load Push	2,300/159	3	1 - 2 - 3	4 - 7 - 10	4 - 7 - 10



1. Platens Spread

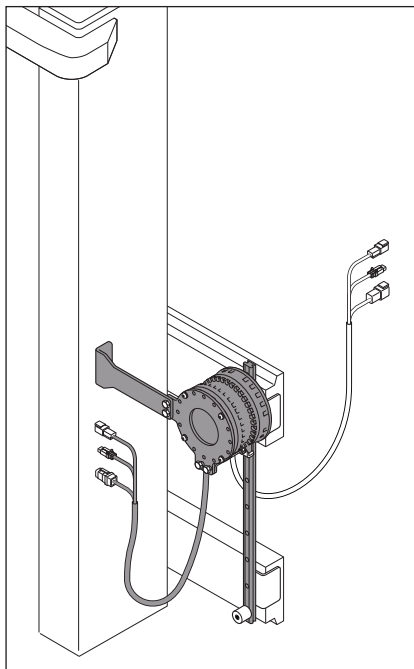


2. Closed Platens for Handling Pallets



3. Opened Platens for use with Slipsheets

**OPTIONS**



**Wireless Power & Communication (WPC) System:**

Use Cascade's industry exclusive WPC system in conjunction with Solenoid configured Mark 55 models. The WPC system eliminates the need for bulky power cords/cable reels by utilizing WPC's wireless technology to power solenoids at the attachment. WPC's wireless inductive charging capability and patented slider mount mechanism ensures lithium-ion battery is always charged.

Description	Voltage	Control Knob Type	Low Profile Switch Type
WPC Upgrade-Mark 55 Push/Pull*	12V	Contact Cascade	Contact Cascade
	24V-48V	Contact Cascade	Contact Cascade

\*Upgrades includes WPC Kit, Slider Mount Kit, Li-Ion Battery and retainer, and harnesses necessary to fully equip Mark 55 with WPC System.