

600 SERIES

ARTICULATING BOOM LIFTS



Performance

| | | |
|-----------------------------------|----------------------------|-------------------------|
| Platform Height | | |
| 600A | 60 ft 5 in. | 18.42 m |
| 600AJ | 60 ft 7 in. | 18.47 m |
| Horizontal Outreach | | |
| 600A | 39 ft 7 in. | 12.07 m |
| 600AJ | 39 ft 9 in. | 12.10 m |
| Up and Over Clearance | 26 ft 7 in. | 8.1 m |
| Swing | 360 Degrees Continuous | |
| Platform Capacity | | |
| Restricted (600A) | 1,000 lb | 450 kg |
| Platform Capacity | | |
| Unrestricted | 500 lb | 227 kg |
| Platform Rotator | 180 Degrees Hydraulic | |
| Jib Range of Articulation (600AJ) | 130 Degrees (+70, -60) | |
| Weight | | |
| 600A | 21,640 lb | 9,816 kg |
| 600A Narrow | 24,100 lb | 10,931 kg |
| 600AJ | 22,240 lb | 10,088 kg |
| 600AJ Narrow | 24,200 lb | 10,977 kg |
| Max. Ground Bearing Pressure | | |
| 600A | 77 psi | 5.5 kg/cm ² |
| 600A Narrow | 94 psi | 6.6 kg/cm ² |
| 600AJ | 75 psi | 5.25 kg/cm ² |
| 600AJ Narrow | 94 psi | 6.6 kg/cm ² |
| Drive Speed 2WD | 4.25 mph | 6.8 kph |
| Drive Speed 4WD | 4.25 mph | 6.8 kph |
| Gradeability 2WD | 30% | |
| Gradeability 4WD | 45% | |
| Axle Oscillation | 8 in. | 0.2 m |
| Turning Radius Inside/Outside | | |
| 2WS | 10 ft. 11 in./17 ft. 7 in. | 3.33 m/5.36 m |
| 4WS | 5 ft. 6 in./11 ft. 8 in. | 1.68 m/3.56 m |
| Narrow Models | | |
| 4WS | 5 ft. 7 in./11 ft. 2 in. | 1.7 m/3.4 m |

Standard Specifications

Power Source

| | | |
|----------------------------|---------|---------|
| Dual Fuel Engine | | |
| Ford MSG425 | 84 hp | 62 kw |
| Diesel Engine | | |
| Deutz TD2.9L4 Tier 4 Final | 67 hp | 50 kw |
| Fuel Tank Capacity | 30 gal. | 113.6 L |

Hydraulic System

| | | |
|-------------------|-----------|---------|
| • Capacity | 30.6 gal. | 115.8 L |
| • Auxiliary Power | 12V DC | |

Tires

| | |
|-----------------|----------------------------|
| • Standard | IN355/55D-6.25 Low Profile |
| • Narrow Models | 14 x 17.5 Air Boss |
| • Optional | Foam-Filled |



Standard Features

- Oscillating Axle
- 180 Degree Hydraulic Platform Rotator
- 110V-AC Receptacle in the Platform
- 5 Degree Tilt Alarm/Indicator Light
- Swing-Out Engine Tray
- 12V-DC Auxiliary Power
- Hourmeter
- Horn
- Control ADE® System
- Proportional Controls
- Gull-Wing Engine Hood
- Platform Console Machine Status Light Panel*
- Lifting/Tie Down Lugs
- All Motion Alarm
- Glow Plugs (Diesel Engines)

* Provides indicator lights at platform control console for system distress, 5 degree tilt light, and foot switch status.

Accessories & Options

- Platform: 36 x 72 in. (0.91 x 1.83 m)
- Fall Arrest Platform, Rear Entry¹: 36 x 96 in. (0.91 x 2.44 m)
- Self-Closing Gate
- Mesh to Top Rail — Bolt-on Aluminum
- Soft Touch System
- Operator Tool Tray
- 43.5 lb (19.7 kg) Propane Tank
- Cold Weather Start Kit²
- Hostile Environment Kit³
- Light Package⁴
- Platform Worklights
- Flashing Amber Beacon
- Arctic Package⁵
- Accessory Packages:
 - SkyPower⁶
 - SkyWelder⁶
 - SkyGlazier⁶
 - SkyCutter⁶
 - Pipe Rack

1. Foam-filled tires required.
2. Includes glow plugs (Diesel), battery heater, oil tank heater.
3. Includes console cover, boom wipers and cylinder bellows.
4. Includes head and tail lights, and platform worklights.
5. Includes arctic hydraulic hoses (drive and steer only) and main boom cable, arctic hydraulic oil, extreme cold engine oil, fuel conditioner, engine block heater, battery blanket, glow plugs, hydraulic tank heater, and oversized footswitch. 4. Not available on Multi-Powered models.
6. 2WD only.
7. Includes head and tail lights, and platform worklights.
8. Includes hydraulic tank heater, battery heater, and heater pad for block.

Note: Some options may increase lead time, and some option combinations may not be available.

600 SERIES

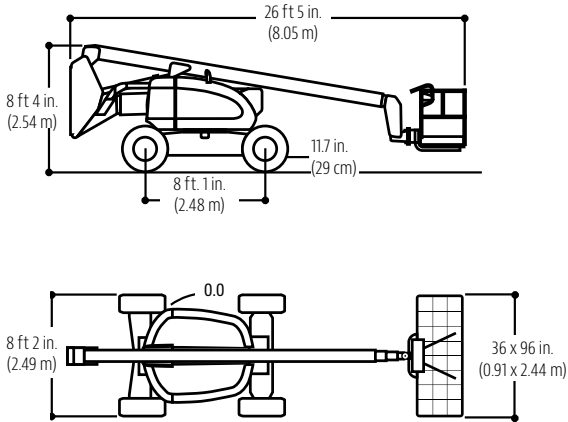
ARTICULATING BOOM LIFTS



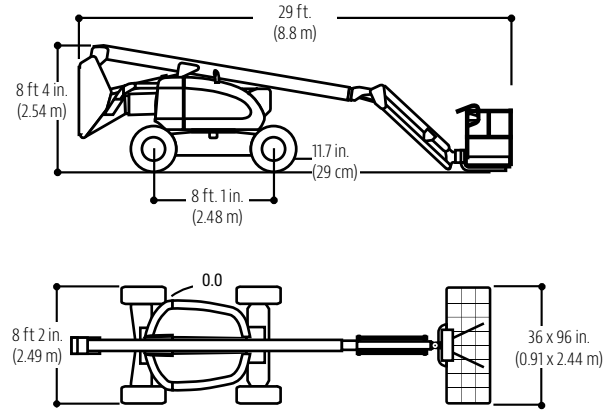
Dimensions

All dimensions are approximate.

600A

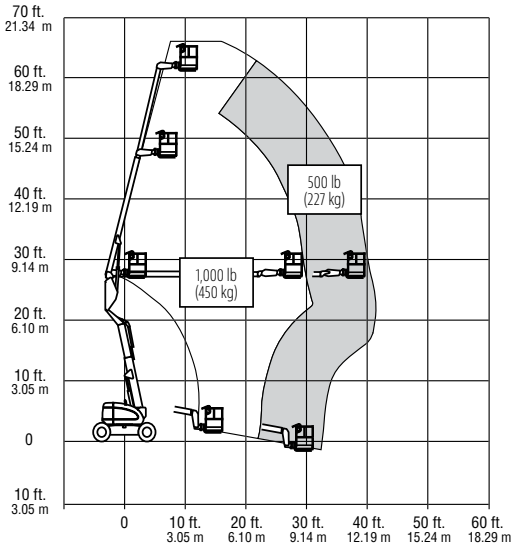


600AJ

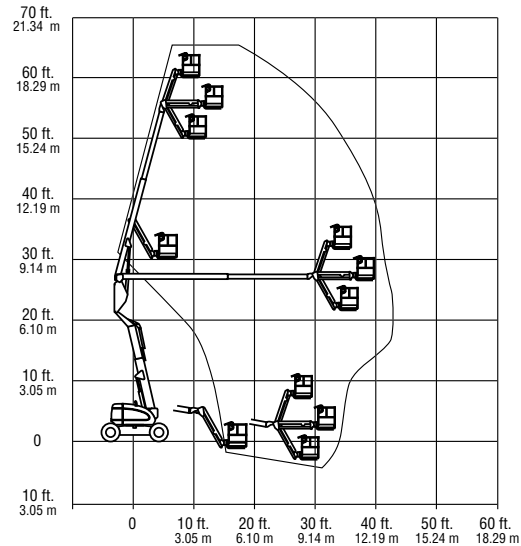


Reach Diagram

600A



600AJ



The JLG "1 & 5" Warranty

JLG Industries, Inc. backs its products with its exclusive "1 & 5" Warranty. We provide coverage on all products for one (1) full year, and cover all specified major structural components for five (5) years. Due to continuous product improvements, we reserve the right to make specification and/or equipment changes without prior notification. This machine meets or exceeds applicable OSHA Regulations in 29 CFR 1910.67, 29 CFR 1926.453, ANSI A92.5-2006, and CSA Standard CAN3-B354.2-M82, as originally manufactured for intended applications.

Part No.: 3131120
R051410
Printed in USA



JLG Industries, Inc.
1 JLG Drive
McCconnellsburg, PA 17233-9533
Telephone 717-485-5161
Toll-free in US 877-JLG-LIFT
Fax 717-485-6417
www.jlg.com

An Oshkosh Corporation Company