

740AJ SERIES

ARTICULATING BOOM LIFTS



Performance

Platform Height	74 ft	22.56 m
Horizontal Outreach	51 ft 10 in.	15.80 m
Up and Over Height	25 ft 1 in.	9.78 m
Swing	360° Continuous	
Platform Capacity-Unrestricted	500 lb	227 kg
Platform Rotator	180° Hydraulic	
Jib Length	6 ft	1.83 m
Jib Range of Articulation	130° (+70, -60)	
Weight ¹	36,200 lb	16,420 kg
Max. Ground Bearing Pressure	61 psi	4.27 kg/cm ²
Drive Speed 4WD	3.0 mph	4.8 km/h
Gradeability 4WD	45%	
Turning Radius		
Inside	7 ft	2.13 m
Outside	14 ft 6 in.	4.42 m

1. Certain options or country standards increase weight.

Standard Specifications

Engine

Dual Fuel Engine		
Ford MSG425-DF	84 hp	62.6 kW
Diesel Engine		
TD2.9L4 Tier 4 Final	67 hp	50 kW
Fuel Tank Capacity	40 gal	151.42 L

Hydraulic System

• Capacity	48 gal	181.7 L
------------	--------	---------

Tires

• Standard	18 x 19.5 Foam-Filled Wide Lug Tread
------------	--------------------------------------

Standard Features

- Fall Arrest Platform and Boom
- 90 mph (144 kph) Jet Blast Rating
- 6 ft. (1.37 m) Articulating Jib
- 36 x 72 in (.91 x 1.83 m) Low Mount Platform
- 4WD/4WS
- Fixed Axle
- 2500W Generator
- 180 Degree Hydraulic Platform Rotator
- Platform Console Machine Status Light Panel²
- 110V-AC Receptacle in the Platform
- 5 Degree Tilt Alarm/Indicator Light
- Swing-Out Engine Module
- Gull-Wing Engine Hood
- 12V-DC Auxiliary Power
- Hourmeter
- Hydrostatic Drive
- Proportional Controls
- Lifting/tie Down Lugs
- Horn
- All Motion Alarm
- Telematics-Ready Harness
- SkyGuard[®]

2. Provides indicator lights at platform control console for system distress, low fuel, 5 degree tilt light and foot switch status.



Accessories & Options

- Light Package³
- Soft Touch System
- 1/2 in. Air Line to Platform
- On Board Air Compressor
- Welding Lead to Platform
- Alarm Package⁴
- 43.5 Propane Tank
- Cold Weather Start Kit (Ford)⁵
- Cold Weather Start Kit (Deutz)⁵
- Hostile Environment Kit⁶
- Platform Worklights
- Flashing Amber Beacon
- Tool Tray

3. Includes platform work lights, head and tail lights.

4. Includes all motion alarm and flashing amber beacon.

5. Includes engine block heater (Ford) or ether assist (Deutz), battery heater, oil tank heater.

6. Includes console cover, boom wipers and cylinder bellows.

Note: Some options may increase lead time, and some option combinations may not be available.

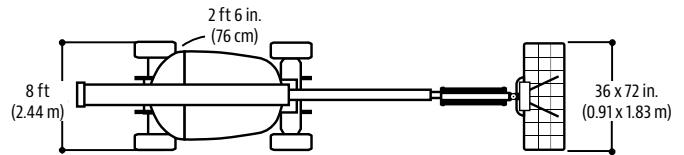
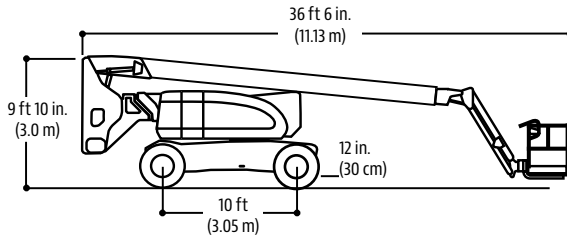
740AJ SERIES

ARTICULATING BOOM LIFTS



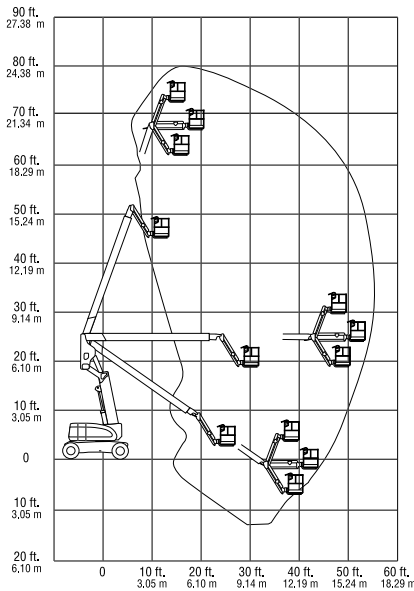
Dimensions

All dimensions are approximate.

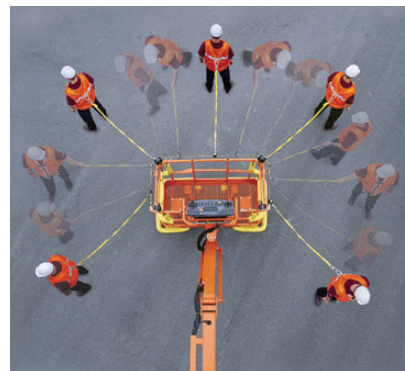


Reach Diagrams

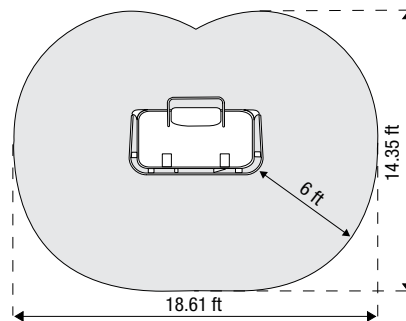
740AJ



Fall Arrest Platform



Worker Envelope



Platform Area: 18 sq ft
Total Work Area: 210 sq ft

The JLG "1 & 5" Warranty

We provide coverage for one (1) full year, and cover all specified major structural components for five (5) years. Due to continuous product improvements, we reserve the right to make specification and/or equipment changes without prior notification. This machine meets or exceeds applicable ANSI and CSA requirements based on machine configuration as originally manufactured for intended applications. Please reference the serial number plate on the machine for additional information.

Part No.: 3131116
R091806
Printed in USA



JLG Industries, Inc.
1 JLG Drive
McConnellsburg, PA 17233-9533
Telephone 717-485-5161
Toll-free in US 877-JLG-LIFT
Fax 717-485-6417
www.jlg.com

An Oshkosh Corporation Company