

# TOUCAN® SERIES

MAST BOOM LIFTS



## Performance

Platform Height		
T20E	20 ft 2 in.	6.14 m
T26E	26 ft 5 in.	8.05 m
T32E	32 ft 3 in.	9.83 m
Horizontal Outreach		
T20E	6 ft 6.9 in.	1.99 m
T26E	8 ft 8 in.	2.64 m
T32E	15 ft	4.57 m
Up and Over Height		
T20E	16 ft 8.75 in.	5.1 m
T26E	21 ft 8 in.	6.64 m
T32E	22 ft 9 in.	6.95 m
Swing	360 Degrees Non-continuous	
Platform Capacity	500 lb	227 kg
Platform Size		
T20E	33 x 34.5 in.	84 x 88 cm
T26E	29 x 33 in.	73 x 84 cm
T32E	27.5 x 41.3 in.	70 x 105 cm
Weight		
T20E	5,360 lb	2,431 kg
T26E	6,834 lb	3,100 kg
T32E	9,480 lb	4,300 kg
Ground Bearing Pressure		
T20E	209 psi	14.7 kg/cm <sup>2</sup>
T26E	256 psi	18.0 kg/cm <sup>2</sup>
T32E	178 psi	12.5 kg/cm <sup>2</sup>
Ground Clearance	3 in.	8 cm
Drive Speed Stowed	3.4 mph	5.5 km/hr
Drive Speed Elevated	0.43 mph	0.7 km/hr
Gradeability		
T20E	25%	
T26E	25%	
T32E	24%	
Turning Radius (Inside)		
T20E	0 in.	0 m
T26E	1 ft 10 in.	0.55 m
T32E	2 ft 5 in.	0.74 m
Turning Radius (Outside)		
T20E	5 ft 9 in.	1.75 m
T26E	6 ft 7 in.	2.10 m
T32E	8 ft 6 in.	2.60 m

## Standard Specifications

### Battery

T20E	24V, 225 amp-hr
T26E	24V, 240 amp-hr
T32E	48V, 260 amp-hr

### Battery Charger – Output

T20E	25 amps
T26E	25 amps
T32E	20 amps

### Brakes

Spring Applied



### Tires

T20E	16 x 5 x 10.5 Non-marking
T26E	125 x 406 Non-marking
T32E	18 x 7 x 12.12 Non-marking

## Standard Features

- 110V-AC Receptacle in the Platform
- Battery Condition Indicator
- 360 Degree Non-continuous Swing
- All Motion Alarm
- Emergency Lowering Pump
- Hourmeter
- Proportional Controls
- Lifting Eyes
- 5 Degree Tilt Alarm/Indicator Light
- Tie-down Lugs
- Dual Warning Beacons
- Horn

## Accessories & Options

- ½ in. Airline to Platform\*
- Platform Work Lights\*

\* Airline and Platform Work Lights are not available in combination.

# TOUCAN® SERIES

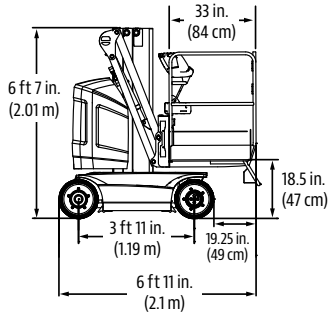
## MAST BOOM LIFTS



### Dimensions

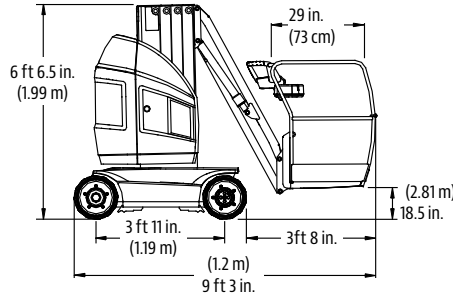
All dimensions are approximate.

#### T20E



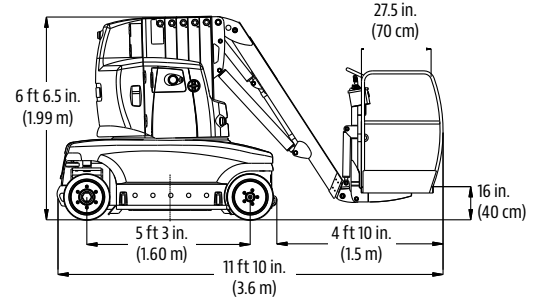
Over all width: 39 in. (0.99 m)

#### T26E



Over all width: 45 in. (1.14 m)

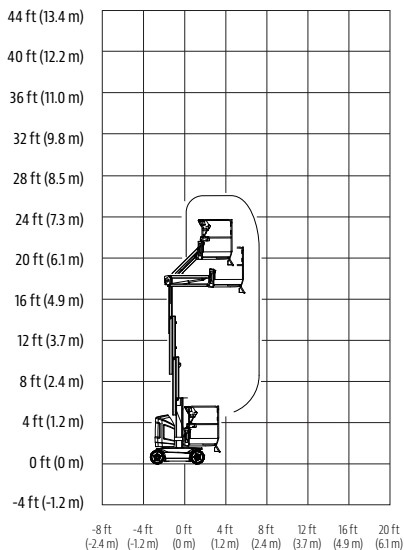
#### T32E



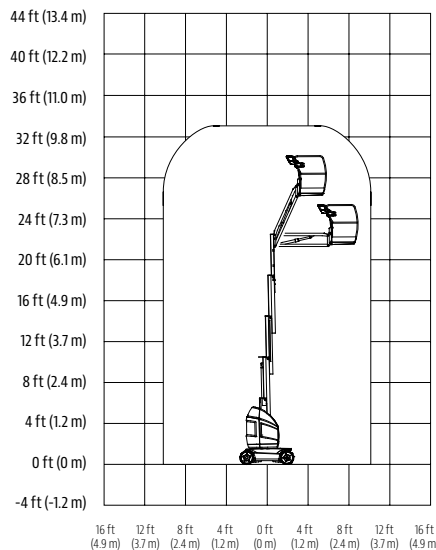
Over all width: 47.2 in. (1.20 m)

### Reach Diagrams

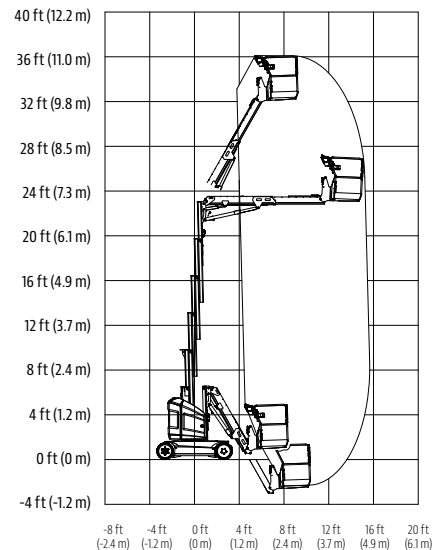
#### T20E



#### T26E



#### T32E



### The JLG "1 & 5" Warranty

We provide coverage for one (1) full year, and cover all specified major structural components for five (5) years. Due to continuous product improvements, we reserve the right to make specification and/or equipment changes without prior notification. This machine meets or exceeds applicable ANSI and CSA requirements based on machine configuration as originally manufactured for intended applications. Please reference the serial number plate on the machine for additional information.

Form No.: SS-MB-0406  
Part No.: 313217  
R011806  
Printed in USA



**JLG Industries, Inc.**  
1 JLG Drive  
McConnellsburg, PA 17233-9533  
Telephone 717-485-5161  
Toll-free in US 877-JLG-LIFT  
Fax 717-485-6417  
[www.jlg.com](http://www.jlg.com)

**An Oshkosh Corporation Company**