

CORE ELECTRIC



3000 - 6500 LBS.

SPECIFICATIONS



8FBC15-18U | 8FBCU20-32 | 8FBCU20-25-COMP | 8FBCHU25

CLASS

1

ELECTRIC MOTOR RIDERS

ToyotaForklift.com



TOYOTA

TOYOTA

SAS SAFETY

CAPACITY
3000 - 6500 LBS.

MAXIMUM FORK HEIGHT
278 IN.

LOAD CENTER
24 IN.

INDUSTRIES



Beverage



Factory



Food Processing



Food Storage



General Manufacturing



General Warehousing



Retail

STANDARD FEATURES

SUPPORT

- System of Active Stability(SAS®)
 - Active control rear stabilizer
 - Active Mast Control
- Operator Presence Sensing System (OPSS)
- Key lowering interlock
- Asbestos-free brakes
- Turn speed control¹
- Foot-activated parking brake
- Electric horn
- Manual return to neutral

PERFORMANCE

- AC drive system
- AC hydraulic lift system
- UL-approved model type “E”
- Three forms of energy regeneration
 - Coast control
 - Plug braking
 - Foot braking
- Digital (LCD) multifunction display
 - Time & date
 - Speedometer
 - Multifunction hour meter
 - Battery capacity indicator
 - Overdischarge warning (lift interrupt)
 - Parking brake indicator
 - Low-speed-setting switch
 - Direction indicator
- Mast tilt indicator
- Maximum speed limiter
- Built-in analyzer
- Self-diagnostics
- Power select functions (S.P.H.)
- 3-way hydraulic control valve
- Auto shut-off (programmable after 15 minutes)
- Travel power control (acceleration)

BODY/EXTERIOR DESIGN

- Wide-view 2-stage mast (V)
- Punched plate entry/exit step
- 48" load backrest extension
 - With angled tie bar
- Tapered forks
- Smooth or treaded cushion tires
- Wide-view carriage bars
- Drawbar pin
- Tie-down hooks
- Adjustable front headlights
- LED front Headlights¹
- ORS 4-way adjustable full-suspension seat
- Retractable seatbelt
- 85° wide-opening battery hood
- Overhead guard
- SB 350 battery connector (gray)
- 26.8" battery compartment (3000 - 3500 lbs.)
- 27.4" battery compartment (4000 - 5000 lbs.)
- 30.5" battery compartment (4000 - 5500 lbs.)
- 34.3" battery compartment (6000 - 6500 lbs.)

OPERABILITY & ERGONOMICS

- Strategically configured instrument display
- Hydrostatic (on demand) power steering
- Dual operator assist grips
- One-way automatic fork leveling
- Electric directional shift control
- Memory-tilt steering column
- 11.8"-dia. two-spoke steering wheel
- Cowl-mounted hydraulic controls
- Heavy-duty non-slip floor mat
- Dash-integrated pen/pencil holder
- Hood-integrated clipboard
- Dash-mounted cup holder

SERVICEABILITY

- Maintenance-free AC motors
- Easy-access hydraulic motor
- Bolt-on overhead guard
- Easy-access, no-tools-required floorboard
- Battery compartment hood assist dampers
- Planned maintenance indicator
- Easy-access controller
- CAN-bus controller wiring

¹ 8FBC15U and 8FBC18U models only

OPTIONAL EQUIPMENT

LOAD HANDLING

- Wide visible mast (V)
- Full free-lift 2-stage mast (FV)
- Full free-lift 3-stage mast (FSV)
- Open-View 3-stage mast (FSW)¹
- Full free-lift 4-stage mast (QFV)¹
- Turret attachment (mast and carriage)
- Tilt cylinder boots
- Mast tilt (Bottler's tilt forward)
- Tapered forks
- Fully tapered & polished forks
- Fork bar (wide carriage)
- High load backrest
- Side hosing termination
- Less mast & forks
- Less forks
- Less backrest
- 36" black forks¹

LOAD HANDLING (HOSE & VALVE ASSEMBLY)

- 3-way valve (multiple options available)
- Hang-on sideshifter
- 4-way valve (multiple options available)
- Integral sideshifter
- Hydraulic quick disconnects (single & dual)
- Clamp release interlock

LIGHTS & INDICATORS

- Front combination lights
- LED front combination headlights
- Rear combination lights
- LED rear combination lights
- Rear working light
- LED work light
- Low-profile mast-mounted LED headlights
- Low-profile mast-mounted LED rear work light¹
- Operator compartment light
- Strobe light (multiple options available)
- LED strobe light (multiple options available)
- Key off/headlights off system
- Adjustable volume back up alarm (smart alarm)
- Back up alarm
- Back up buzzer
- Armrest horn
- Transistorized horn
- Fire extinguisher 2.5 lb. upgrade (including bracket)
- Fire extinguisher 5 lb. upgrade (including bracket)
- Reverse activated work light

BODY

- Left-hand shift lever
- Pre-delivery inspection
- Mini-levers with ErgoShift
- EZ Control Joystick
- Joystick levers
- Synchronized steering²
- Rearview mirrors (left & right sides)
- Plastic mirrors
- Skid plate
- Travel speed/acceleration control system
- Power shut-down button¹
- Battery slide-out
- Battery roll-out
- Euro connector
- Rear pillar assist grip with horn
- Touchpad keyless entry system
- Impact sensor¹
- Battery compartment side panels
- Drive-in rack overhead guard
- Auto height select¹
- String cutter
- Pencil/tape holder
- Keyless ignition
- 12-Volt power supply (9-10 amps)
- 12-Volt power supply harness extension¹
- Anti-static strap
- Fully oil-charged lift cylinder¹
- Steering wheel with knob
- Swivel seat (multiple options available)
- ORS semi-suspension seat (multiple options available)
- Vinyl ORS Araco seat (multiple options available)
- Orange seatbelt
- Lowered 83.3" – 84.9" overhead guard height
- Lowered 81.9" – 83.5" (±1.57") overhead guard with low-profile seat¹
- Without UL label
- Special paint (one or two color only)
- Hydraulic component guard for sidershifters¹
- Cloth 20° swivel seat
- Optional battery connector colors (multiple options available)
- Polycarbonate overhead guard cover
- Operator cooling fan¹
- Exclusive key¹
- Integral sideshifter hose guard
- French decals

¹ Not available on 8FBC15U or 8FBC18U models

² Standard on 8FBC15U and 8FBC18U models

Please contact your local, authorized Toyota Dealer for a complete list of available options.

Optional Equipment, continued

CHASSIS

- Power steering hose guard
- EZ Pedal (foot directional control)

WHEELS & TIRES

- Smooth, white, non-marking tires (front & rear)
- Treaded, non-marking tires (front & rear)
- Smooth, black tires (front & rear)
- Smooth, non-marking tires (front & rear)
- Treaded tires (front & rear)
- Wide tread (front tires)²
- Wide steer tire (6")¹

SPECIAL MODEL

- Compact specification (27.4" battery compartment)¹
- High-capacity frame (7000 lb.), for beverage industry only³
- I.T.A. Class III carriage for QFV mast (requires TR49)¹
- UL-approved model
 - Type "ES"¹
 - Type "EE"
- Cold storage model
 - Type "20S"
- Rust proof specification¹
- 48-Volt model

¹ Not available on 8FBC15U or 8FBC18U models

² Not available on 8FBC18U model

³ Available on 8FBCU32 model only

Please contact your local, authorized Toyota Dealer for a complete list of available options.

TRUCK SPECIFICATIONS

MODEL NUMBERS

GENERAL DATA				8FBC15U		8FBC18U	
Load Capacity		lb (kg)		3000 (1500)		3500 (1750)	
Power Type (battery)	Voltage	V	36	48	36	48	
Battery Compartment Length				26.8		26.8	
Operator Position				Seated Rider		Seated Rider	
Tire Type	Front / Rear			Cushion / Cushion		Cushion / Cushion	
Wheels (x = driven)	Front / Rear			2x / 2		2x / 2	
EXTERIOR DIMENSIONS				8FBC15U		8FBC18U	
A	Maximum Fork Height (top of forks)	in (mm)		131 (3335)		131 (3335)	
B	Free-Lift (top of forks)	in (mm)		5.7 (145)		5.7 (145)	
C	Fork Size (T x W x L)	in (mm)		1.4 x 4 x 42 (35 x 100 x 1070)		1.4 x 4 x 42 (35 x 100 x 1070)	
D	Tilt Range (forward / backward)	deg		6 / 8		6/8	
E	Length to Fork Face	in (mm)		76.8 (1950)		76.8 (1950)	
F	Overall Width	in (mm)		37 (945)		37 (945)	
G	Mast Lowered Height	in (mm)		83.1 (2110)		83.1 (2110)	
H	Mast Extended Height (top of load backrest)	in (mm)		179.3 (4555)		179.3 (4555)	
I	Overhead Guard Height	in (mm)		86.4 (2195)		86.4 (2195)	
J	Turning Radius (inside / outside)	in (mm)		66.3 (1685)		66.3 (1685)	
K	Load Distance ¹	in (mm)		15.7 (400)		15.7 (400)	
L	Basic Right-Angle Stacking Aisle Width ²	in (mm)		82.1 (2085)		82.1 (2085)	
PERFORMANCE DATA				8FBC15U		8FBC18U	
Speeds ³ (V mast only)	Maximum Travel (fwd. / rev.)	Full Load	mph (km/h)	11.5 (18.5)	11.5 (18.5)	11.3 (18.3)	11.3 (18.2)
		No Load	mph (km/h)	11.5 (18.5)	11.5 (18.5)	11.5 (18.5)	11.5 (18.5)
	Lifting	Full Load	fpm (mm/sec)	88 (448)	108 (548)	79 (400)	100 (510)
		No Load	fpm (mm/sec)	134 (680)	720 (142)	134 (680)	142 (720)
	Lowering	Full Load	fpm (mm/sec)	104 (527)		104 (527)	
		No Load	fpm (mm/sec)	103 (524)		103 (524)	
Drawbar Pull	Full Load / No Load	3-Min. Rating	lb (kg)	2090 (950) / 1700 (770)		2080 (940) / 1670 (760)	
		3-Min. Rating	lb (kg)	2090 (950) / 1700 (770)		2080 (940) / 1670 (760)	
		60-Min. Rating	lb (kg)	540 (250) / 580 (260)		530 (240) / 580 (260)	
Gradeability*	Full Load / No Load	3-Min. Rating	%	20 / 21		18 / 20	
		3-Min. Rating	%	20 / 21		18 / 20	
		60-Min. Rating	%	8 / 13		7 / 13	
TRUCK WEIGHTS				8FBC15U		8FBC18U	
Total Weight		lb (kg)		4930 (2240)		5200 (2365)	
Weight Distribution ⁴	Full Load (front / rear)	lb (kg)		8360 (3910) / 1410 (660)		9230 (4325) / 1310 (620)	
	No Load (front / rear)	lb (kg)		2880 (1305) / 3890 (1765)		2830 (1285) / 4210 (1910)	
TIRES				8FBC15U		8FBC18U	
Tires	Number (front / rear)			2 / 2		2 / 2	
	Size (front / rear)			18 x 6 x 12-1 / 8 / 14 x 4-1 / 2x8		18 x 6 x 12-1 / 8 / 14 x 4-1 / 2x8	
Wheelbase		in (mm)		48 (1220)		48 (1220)	
Tread Width (front / rear)		in (mm)		31.3 (795) / 32.3 (820)		31.3 (795) / 32.3 (820)	
Underclearance (full load)	Minimum <Drive Axle>	in (mm)		2.6 (65)		2.6 (65)	
	Center of Wheelbase	in (mm)		3.1 (80)		3.1 (80)	
Brake	Service (foot) / Parking			Hydraulic / Foot		Hydraulic / Foot	
POWER SYSTEM				8FBC15U		8FBC18U	
Battery	Voltage / Capacity (STD)	V / Ah		36 / 680	48 / 510	36 / 680	48 / 510
	6-Hour Rating (high)	V / Ah		36 / 880	48 / 660	36 / 880	48 / 660
Electric Motors	Drive	kW		8.5	8.5	8.5	8.5
	Load Handling	kW		10.3	13.2	10.3	13.2
Control Type	Drive			Transistor Invertor		Transistor Invertor	
	Load Handling			Transistor Invertor		Transistor Invertor	
	Power Steering			Transistor Invertor		Transistor Invertor	
Auxiliary Hydraulic Function Specifications (for attachments) ⁵	Max. Operating Pressure	psi (kg/cm ²)		2000 (140)		2000 (140)	
	Max. Flow Rate	gpm (lpm)		5.28 (20)		5.28 (20)	

* Computed values.

1 V Mast
2 At centerline of front axle to front face of forks.
3 Add load length & clearance.
4 Please see your local, authorized Toyota dealer for more information.

5 With standard battery
6 Values taken at Hydraulic Control Valve. Does not take in to consideration losses through mast plumbing (hosing, fittings, QDs, etc.).

GENERAL DATA			8FBCU20		8FBCU20-COMP		8FBCU25		8FBCU25-COMP		
Load Capacity		lb (kg)	4000 (2000)		4000 (2000)		5000 (2500)		5000 (2500)		
Power Type (battery)	Voltage	V	36	48	36	48	36	48	36	48	
Battery Compartment Length		in	30.5		27.4		30.5		27.4		
Operator Position			Seated Rider		Seated Rider		Seated Rider		Seated Rider		
Tire Type	Front / Rear		Cushion / Cushion		Cushion / Cushion		Cushion / Cushion		Cushion / Cushion		
Wheels (x = driven)	Front / Rear		2x / 2		2x / 2		2x / 2		2x / 2		
EXTERIOR DIMENSIONS			8FBCU20		8FBCU20-COMP		8FBCU25		8FBCU25-COMP		
A	Maximum Fork Height (top of forks)	in (mm)	131.5 (3340)		131.5 (3340)		131.5 (3340)		131.5 (3340)		
B	Free-Lift (top of forks)	in (mm)	6.1 (155)		6.1 (155)		6.1 (155)		6.1 (155)		
C	Fork Size (T x W x L)	in (mm)	1.6 x 5 x 42 (40 x 125 x 1070)		1.6 x 5 x 42 (40 x 125 x 1070)		1.6 x 5 x 42 (40 x 125 x 1070)		1.6 x 5 x 42 (40 x 125 x 1070)		
D	Tilt Range (forward / backward)	deg	6 / 8		6 / 8		6 / 8		6 / 8		
E	Length to Fork Face	in (mm)	81.5 (2170)		79.9 (2030)		84.3 (2140)		82.7 (2100)		
F	Overall Width	in (mm)	41.9 (1065)		41.9 (1065)		41.9 (1065)		41.9 (1065)		
G	Mast Lowered Height	in (mm)	83.3 (2115)		83.3 (2115)		83.3 (2115)		83.3 (2115)		
H	Mast Extended Height (top of load backrest)	in (mm)	179.5 (4560)		179.5 (4560)		179.5 (4560)		179.5 (4560)		
I	Overhead Guard Height	in (mm)	88 (2235)		88 (2235)		88 (2235)		88 (2235)		
J	Turning Radius (inside / outside)	in (mm)	70.5 (1790)		68.5 (1740)		70.9 (1800)		68.9 (1750)		
K	Load Distance ¹	in (mm)	16.7 (425)		16.7 (425)		16.7 (425)		16.7 (425)		
L	Basic Right-Angle Stacking Aisle Width ²	in (mm)	87.2 (2215)		85.2 (2165)		87.6 (2225)		85.6 (2170)		
PERFORMANCE DATA			8FBCU20		8FBCU20-COMP		8FBCU25		8FBCU25-COMP		
			36V	48V	36V	48V	36V	48V	36V	48V	
Speeds ³ (V mast only)	Maximum Travel (fwd. / rev.)	Full Load	mph (km/h)	9.9 (16)	11.5 (18.5)	9.9 (16)	11.5 (18.5)	9.6 (15.5)	11.5 (18.5)	9.6 (15.5)	11.5 (18.5)
		No Load	mph (km/h)	11.2 (18)	11.5 (18.5)	11.2 (18)	11.5 (18.5)	10.9 (17.5)	11.5 (18.5)	10.9 (17.5)	11.5 (18.5)
	Lifting	Full Load	fpm (mm/sec)	67 / 340	89 / 450	67 / 340	89 / 450	59 (300)	79 (400)	59 (300)	79 (400)
		No Load	fpm (mm/sec)	106 / 540	130 / 660	106 / 540	130 / 660	106 (540)	130 (660)	106 (540)	130 (660)
Lowering	Full Load	fpm (mm/sec)	98 (500)		98 (500)		98 (500)		98 (500)		
	No Load	fpm (mm/sec)	98 (500)		98 (500)		98 (500)		98 (500)		
Drawbar Pull	Full Load / No Load	3-Min. Rating	lb (kg)	3320 (1510) / 2140 (970)		3320 (1510) / 2140 (970)		3290 (1490) / 2010 (910)		3290 (1490) / 2010 (910)	
		3-Min. Rating	lb (kg)	3320 (1510) / 2140 (970)		3320 (1510) / 2140 (970)		3290 (1490) / 2010 (910)		3290 (1490) / 2010 (910)	
		60-Min. Rating	lb (kg)	1610 (730) / 1700 (770)		1610 (730) / 1700 (770)		1580 (720) / 1690 (760)		1580 (720) / 1690 (760)	
Gradeability* ⁴	Full Load / No Load	3-Min. Rating	%	25 / 23		25 / 23		21 / 19		21 / 19	
		3-Min. Rating	%	25 / 23		25 / 23		21 / 19		21 / 19	
		60-Min. Rating	%	11 / 19		11 / 19		9 / 17		9 / 17	
TRUCK WEIGHTS			8FBCU20		8FBCU20-COMP		8FBCU25		8FBCU25-COMP		
Total Weight		lb (kg)	6260 (2840)		6390 (2840)		6960 (3155)		7170 (3250)		
Weight Distribution ⁴	Full Load (front / rear)	lb (kg)	10800 (5070) / 1870 (860)		10930 (5130) / 1870 (860)		12410 (5850) / 1950 (900)		12550 (5910) / 2020 (930)		
	No Load (front / rear)	lb (kg)	3620 (1640) / 5050 (2290)		3750 (1700) / 5050 (2290)		3440 (1560) / 5920 (2685)		3580 (1625) / 5990 (2715)		
TIRES			8FBCU20		8FBCU20-COMP		8FBCU25		8FBCU25-COMP		
Tires	Number (front / rear)		2 / 2		2 / 2		2 / 2		2 / 2		
	Size (front / rear)		21 x 7 x 15 / 16 x 5 x 10.5		21 x 7 x 15 / 16 x 5 x 10.5		21 x 7 x 15 / 16 x 5 x 10.5		21 x 7 x 15 / 16 x 5 x 10.5		
Wheelbase		in (mm)	51 (1295)		51 (1295)		51 (1295)		51 (1295)		
Tread Width (front / rear)		in (mm)	35 (890) / 36 (915)		35 (890) / 36 (915)		35 (890) / 36 (915)		35 (890) / 36 (915)		
Underclearance (full load)	Minimum <Mast>	in (mm)	3.0 (75)		3.0 (75)		3.0 (75)		3.0 (75)		
	Center of Wheelbase	in (mm)	3.9 (100)		3.9 (100)		3.9 (100)		3.9 (100)		
Brake	Service (foot) / Parking Brake		Hydraulic / Foot		Hydraulic / Foot		Hydraulic / Foot		Hydraulic / Foot		
POWER SYSTEM			8FBCU20		8FBCU20-COMP		8FBCU25		8FBCU25-COMP		
			36V	48V	36V	48V	36V	48V	36V	48V	
Battery	Voltage / Capacity (STD)	V / Ah	36 / 1020	48 / 765	36 / 880	48 / 640	36 / 1020	48 / 765	36 / 880	48 / 640	
	6-Hour Rating (High)	V / Ah	36 / 1320	48 / 990	36 / 1210	48 / 880	36 / 1320	48 / 990	36 / 1210	48 / 880	
Electric Motors	Drive	kW	10.8	14.8	10.8	14.8	10.8	14.8	10.8	14.8	
	Load Handling	kW	11.3	15.1	11.3	15.1	11.3	15.1	11.3	15.1	
	Power Steering										
Control Type	Drive		Transistor Inverter		Transistor Inverter		Transistor Inverter		Transistor Inverter		
	Load Handling		Transistor Inverter		Transistor Inverter		Transistor Inverter		Transistor Inverter		
	Power Steering		Transistor Inverter		Transistor Inverter		Transistor Inverter		Transistor Inverter		
Auxiliary Hydraulic Function Specifications (for attachments) ⁵	Max. Operating Pressure	psi (kg/cm ²)	2580 (181)		2580 (181)		2580 (181)		2580 (181)		
	Max. Flow Rate	gpm (lpm)	11.04		11.04		11.04		11.04		
Please see your local, authorized Toyota dealer for more information.											

* Computed values.

³ Units ordered with A30H UL "EE" rating will have the same performance characteristics as the UL "E"-rated models. Values indicated reflect speed in H mode. (For S & P mode travel speeds loaded & unloaded, contact your local, authorized Toyota dealer).

⁴ With standard battery.

⁵ Values taken at Hydraulic Control Valve. Does not take in to consideration losses through mast plumbing (hosing, fittings, QDs, etc.).

¹ At centerline of front axle to front face of forks.
² Add load length & clearance.

TRUCK SPECIFICATIONS

MODEL NUMBERS

GENERAL DATA				8FBCHU25		8FBCU28		8FBCU30		8FBCU32	
Load Capacity		lb (kg)		5000 (2500)		5500 (2750)		6000 (3000)		6500 (2950)	
Power Type (battery)	Voltage	V		36	48	36	48	36	48	36	48
Battery Compartment Length		in		34.3		30.5		34.3		34.3	
Operator Position				Seated Rider		Seated Rider		Seated Rider		Seated Rider	
Tire Type	Front / Rear			Cushion / Cushion		Cushion / Cushion		Cushion / Cushion		Cushion / Cushion	
Wheels (x = driven)	Front / Rear			2x / 2		2x / 2		2x / 2		2x / 2	
EXTERIOR DIMENSIONS				8FBCHU25		8FBCU28		8FBCU30		8FBCU32	
A	Maximum Fork Height (top of forks)	in (mm)		131.5 (3340)		131.5 (3345)		131.5 (3345)		131.5 (3345)	
B	Free-Lift (top of forks)	in (mm)		6.1 (155)		5.3 (135)		5.3 (135)		5.3 (135)	
C	Fork Size (T x W x L)	in (mm)		1.6 x 5 x 42 (40 x 125 x 1070)		1.6 x 5 x 42 (40 x 125 x 1070)		1.8 x 5 x 42 / (45 x 125 x 1070)		1.8 x 5 x 42 / (45 x 125 x 1070)	
D	Tilt Range (forward / backward)	deg		6 / 8		6 / 8		6 / 8		6 / 8	
E	Length to Fork Face	in (mm)		85.4 (2170)		87.6 (2225)		89.6 (2275)		91.3 (2320)	
F	Overall Width	in (mm)		41.9 (1065)		43.7 (1110)		43.7 (1110)		43.7 (1110)	
G	Mast Lowered Height	in (mm)		83.3 (2110)		83.1 (2110)		83.1 (2110)		83.1 (2110)	
H	Mast Extended Height (top of load backrest)	in (mm)		179.5 (4560)		179.7 (4565)		179.1 (4565)		179.7 (4565)	
I	Overhead Guard Height	in (mm)		88 (2235)		88 (2235)		88 (2235)		88 (2235)	
J	Turning Radius (inside / outside)	in (mm)		76.4 (1940)		72.6 (1845)		77.2 (1960)		78.7 (2000)	
K	Load Distance ¹	in (mm)		16.7 (425)		17.7 (450)		17.7 (450)		17.7 (450)	
L	Basic Right-Angle Stacking Aisle Width ²	in (mm)		93.1 (2365)		90.3 (2295)		94.9 (2410)		96.4 (2450)	
PERFORMANCE DATA				8FBCHU25		8FBCU28		8FBCU30		8FBCU32	
Speeds ³ (V mast only)	Maximum Travel (fwd. / rev.)	Full Load	mph (km/h)	9.6 (15.5)	11.5 (18.5)	9.3 (15)	11.5 (18.5)	9.0 (14.5)	11.2 (18)	9.0 (14.5)	11.2 (18)
		No Load	mph (km/h)	10.9 (17.5)	11.5 (18.5)	10.9 (17.5)	11.5 (18.5)	10.6 (17.0)	11.5 (18.5)	10.6 (17)	11.5 (18.5)
	Lifting	Full Load	fpm (mm/sec)	59 (300)	79 (400)	55 (280)	73 (370)	51 (260)	69 (350)	47 (240)	65 (330)
		No Load	fpm (mm/sec)	106 (540)	130 (660)	91 (460)	116 (590)	91 (460)	116 (590)	91 (460)	116 (590)
Lowering	Full Load	fpm (mm/sec)	98 (500)		98 (500)		98 (500)		98 (500)		
	No Load	fpm (mm/sec)	98 (500)		98 (500)		98 (500)		98 (500)		
Drawbar Pull	Full Load / No Load	3-Min. Rating	lb (kg)	3290 (1490) / 2550 (1160)		3170 (1440) / 2110 (960)		3160 (1430) / 2350 (1070)		3160 (1430) / 2270 (1030)	
		3-Min. Rating	lb (kg)	3290 (1490) / 2550 (1160)		3170 (1440) / 2110 (960)		3160 (1430) / 2350 (1070)		3160 (1430) / 2270 (1030)	
		60-Min. Rating	lb (kg)	1580 (720) / 1690 (760)		1510 (690) / 1650 (750)		1460 (660) / 1630 (740)		1460 (660) / 1630 (740)	
Gradeability [*]	Full Load / No Load	3-Min. Rating	%	21 / 24		17 / 20		17 / 20		17 / 19	
		3-Min. Rating	%	21 / 24		17 / 20		17 / 20		17 / 19	
		60-Min. Rating	%	9 / 17		7 / 4		7 / 14		7 / 13	
TRUCK WEIGHTS				8FBCHU25		8FBCU28		8FBCU30		8FBCU32	
Total Weight		lb (kg)		6310 (2860)		8060 (3655)		7700 (3490)		8130 (3685)	
Weight Distribution ⁴	Full Load (front / rear)	lb (kg)		12530 (5900) / 1780 (820)		13740 (6460) / 2230 (1030)		14650 (6900) / 2050 (950)		15420 (7180) / 2210 (1060)	
	No Load (front / rear)	lb (kg)		3830 (1735) / 5480 (2485)		3740 (1695) / 6730 (3050)		4080 (1850) / 6620 (3000)		3960 (1795) / 7170 (3250)	
TIRES				8FBCHU25		8FBCU28		8FBCU30		8FBCU32	
Tires	Number (front / rear)			2 / 2		2 / 2		2 / 2		2 / 2	
	Size front / rear			21 x 7 x 15 / 16 x 5 x 10.5		21 x 7 x 15 / 16 x 5 x 10.5		21 x 8 x 15 / 16 x 6 x 10.5		21 x 7 x 15 / 16 x 5 x 10.5	
Wheelbase		in (mm)		54.7 (1390)		51 (1295)		54.7 (1390)		54.7 (1390)	
Tread Width (front / rear)		in (mm)		35 (890) / 36 (915)		35.8 (910) / 36 (915)		35.8 (910) / 36 (915)		35.8 (910) / 36 (915)	
Underclearance (full load)	Minimum <Mast>	in (mm)		3.0 (75)		2.8 (70)		2.8 (70)		2.8 (70)	
	Center of Wheelbase	in (mm)		3.9 (100)		3.9 (100)		3.9 (100)		3.9 (100)	
Brake	Service (foot) / Parking Brake			Hydraulic / Foot		Hydraulic / Foot		Hydraulic / Foot		Hydraulic / Foot	
POWER SYSTEM				8FBCHU25		8FBCU28		8FBCU30		8FBCU32	
Battery	Voltage / Capacity (STD)	V / Ah		36 / 1190	48 / 850	36 / 1020	48 / 765	36 / 1190	48 / 850	36 / 1190	48 / 850
	6-Hour Rating (high)	V / Ah		36 / 1540	48 / 1100	36 / 1320	48 / 990	36 / 1540	48 / 1100	36 / 1540	48 / 1100
Electric Motors	Drive	kW		10.8	14.8	13.2	18	13.2	18	13.2	18
	Load Handling	kW		11.3	15.1	11.3	15.1	11.3	15.1	11.3	15.1
	Power Steering										
Control Type	Drive			Transistor Inverter		Transistor Inverter		Transistor Inverter		Transistor Inverter	
	Load Handling			Transistor Inverter		Transistor Inverter		Transistor Inverter		Transistor Inverter	
	Power Steering			Transistor Inverter		Transistor Inverter		Transistor Inverter		Transistor Inverter	
Auxiliary Hydraulic Function Specifications (for attachments) ⁵	Max Operating Pressure	psi (kg/cm ²)		2580 (181)		2580 (181)		2580 (181)		2580 (181)	
	Max Flow Rate	gpm (lpm)		11.04		11.04		11.04		11.04	
Please see your local, authorized Toyota dealer for more information.											

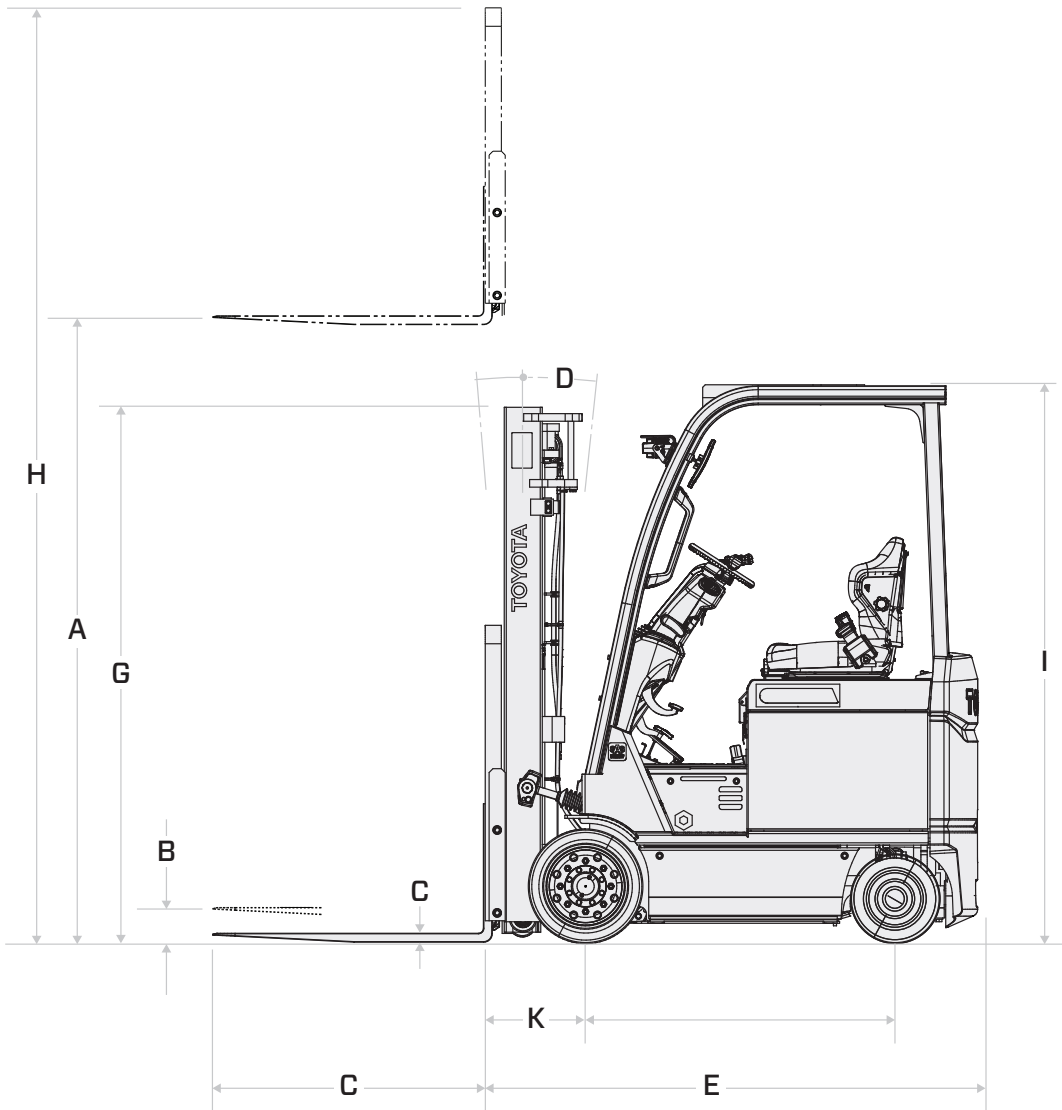
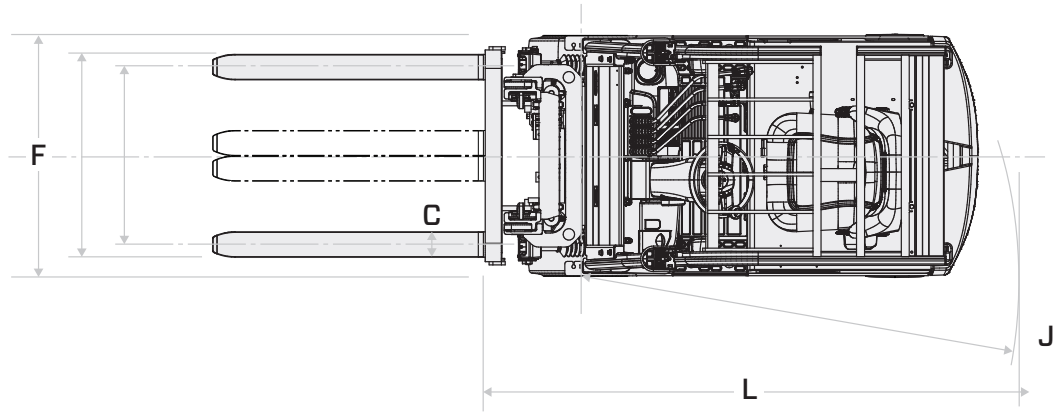
* Computed values.

1 At centerline of front axle to front face of forks.
2 Add load length & clearance.

3 Values indicated reflect speed in H mode. (For S & P mode travel speeds loaded & unloaded, contact your local, authorized Toyota dealer).
4 With standard battery.

5 Values taken at Hydraulic Control Valve. Does not take in to consideration losses through mast plumbing (hosing, fittings, QDs, etc.).

EXTERIOR DIMENSIONS



MAST SPECIFICATIONS

MAST TYPE	MAXIMUM FORK HEIGHT (TOP OF FORKS)	OVERALL HEIGHT			FREE-LIFT		SINGLE TIRE			
		LOWERED	EXTENDED		WITHOUT LOAD BACKREST	WITH STANDARD LOAD BACKREST ¹	TILT RANGE		LOAD CAPACITY AT 24 IN. (600 MM) LOAD CENTER	
			WITHOUT LOAD BACKREST	WITH STANDARD LOAD BACKREST ¹			FWD	BWD	NARROW TREAD	WIDE TREAD
	in (mm)	in (mm)	in (mm)	in (mm)	in (mm)	in (mm)	deg	deg	lb (kg)	lb (kg)
8FBC15U										
Wide Visible (V)	131 (3335)	83.1 (2110)	152.4 (3870)	179.3 (4555)	5.7 (145)	5.7 (145)	6	8	3000 (1340)	3000 (1340)
Full Free-Lift 2-Stage (FV)	131 (3335)	83.1 (2110)	150.6 (3825)	179.3 (4555)	35.1 (1585)	35.1 (890)	6	8	3000 (1340)	3000 (1340)
Full Free-Lift 3-Stage (FSV)	170.5 (4335)	77.2 (1960)	191.5 (4865)	218.7 (5555)	29.2 (1395)	29.2 (740)	6	5	2900 (1300)	2900 (1300)
	189 (4800)	83.1 (2110)	209.4 (5320)	237 (6020)	35.1 (1545)	35.1 (890)	6	5	2800 (1250)	2800 (1250)
	198 (5035)	87 (22100)	219.1 (5565)	246.3 (6255)	39 (1645)	39 (990)	6	5	2750 (1230)	2750 (1230)
	217.5 (5535)	93.3 (2370)	238.8 (6065)	265.9 (6755)	45.3 (1805)	45.3 (1150)	6	5	2200 (990)	2650 (1190)

MAST TYPE	MAXIMUM FORK HEIGHT (TOP OF FORKS)	OVERALL HEIGHT			FREE-LIFT		SINGLE TIRE			
		LOWERED	EXTENDED		WITHOUT LOAD BACKREST	WITH STANDARD LOAD BACKREST ¹	TILT RANGE		LOAD CAPACITY AT 24 IN. (600 MM) LOAD CENTER	
			WITHOUT LOAD BACKREST	WITH STANDARD LOAD BACKREST ¹			FWD	BWD	NARROW TREAD	WIDE TREAD
	in (mm)	in (mm)	in (mm)	in (mm)	in (mm)	in (mm)	deg	deg	lb (kg)	lb (kg)
8FBC18U										
Wide Visible (V)	131 (3335)	83.1 (2110)	152.4 (3870)	179.3 (4555)	5.7 (145)	5.7 (145)	6	8	3500 (1570)	-
Full Free-Lift 2-Stage (FV)	131 (3335)	83.1 (2110)	150.6 (3825)	179.3 (4555)	35.1 (1585)	35.1 (890)	6	8	3500 (1570)	-
Full Free-Lift 3-Stage (FSV)	170.5 (4335)	77.2 (1960)	191.5 (4865)	218.7 (5555)	29.2 (1395)	29.2 (740)	6	5	3400 (1570)	-
	189 (4800)	83.1 (2110)	209.4 (5320)	237 (6020)	35.1 (1545)	35.1 (890)	6	5	3050 (1410)	-
	198 (5035)	87 (22100)	219.1 (5565)	246.3 (6255)	39 (1645)	39 (990)	6	5	3090 (1350)	-
	217.5 (5535)	93.3 (2370)	238.8 (6065)	265.9 (6755)	45.3 (1805)	45.3 (1150)	6	5	2800 (1150)	-

¹ Height of standard load backrest is 48" (1220 mm).

MAST TYPE	MAXIMUM FORK HEIGHT (TOP OF FORKS)	OVERALL HEIGHT				FREE-LIFT		TILT RANGE		LOAD CAPACITY AT 24 IN. (600 MM) LOAD CENTER	
		LOWERED	EXTENDED		WITHOUT LOAD BACKREST	WITH STANDARD LOAD BACKREST ¹	FWD	BWD	STANDARD TREAD	WIDE TREAD	
			WITHOUT LOAD BACKREST	WITH STANDARD LOAD BACKREST ¹							
			in (mm)	in (mm)							in (mm)
8FBCU20											
Wide Visible (V)	80 (2040)	57.7 (1465)	105.9 (2690)	128.3 (3260)	6.1 (155)	6.1 (155)	6	5	4000 (1810)	4000 (1810)	
	119.5 (3040)	77.4 (1965)	145.2 (3690)	167.7 (4260)	6.1 (155)	6.1 (155)	6	8	4000 (1810)	4000 (1810)	
	131.5 (3340)	83.3 (2115)	157.1 (3990)	179.5 (4560)	6.1 (155)	6.1 (155)	6	8	4000 (1810)	4000 (1810)	
	139 (3540)	87.2 (2215)	164.9 (4190)	187.4 (4760)	6.1 (155)	6.1 (155)	6	8	4000 (1810)	4000 (1810)	
	147 (3740)	93.5 (2375)	173.8 (4390)	195.3 (4960)	6.1 (155)	6.1 (155)	6	8	4000 (1810)	4000 (1810)	
Full Free-Lift 2-Stage (FV)	159 (4040)	101 (2565)	184.6 (4690)	207.1 (5260)	6.1 (155)	6.1 (155)	6	8	4000 (1810)	4000 (1810)	
	119.5 (3040)	77.4 (1965)	143.5 (3645)	167.7 (4260)	53.6 (1360)	29.3 (745)	6	8	4000 (1810)	4000 (1810)	
	131.5 (3340)	83.3 (2115)	155.3 (3945)	179.5 (4560)	59.5 (1510)	35.2 (895)	6	8	4000 (1810)	4000 (1810)	
Full Free-Lift 3-Stage (FSV)	139 (3540)	87.2 (2215)	163.1 (4145)	187.4 (4760)	63.4 (1610)	39.2 (995)	6	8	4000 (1810)	4000 (1810)	
	159 (4040)	73.4 (1865)	184.2 (4680)	207.1 (5260)	48.1 (1220)	25.4 (645)	6	5	4000 (1810)	4000 (1810)	
	170.5 (4340)	77.4 (1965)	196 (4980)	218.9 (5560)	52 (1320)	29.4 (745)	6	5	4000 (1810)	4000 (1810)	
	189 (4800)	83.3 (2115)	214.3 (5445)	237.2 (6025)	57.9 (1470)	35.3 (895)	6	5	3900 (1770)	3900 (1770)	
	198 (5040)	87.2 (2215)	223.6 (5680)	246.5 (6260)	61.9 (1570)	39.2 (995)	6	5	3850 (1750)	3850 (1750)	
	218 (5540)	93.5 (2375)	243.3 (6180)	266.1 (6760)	68.2 (1150)	45.5 (1155)	6	5	3650 (1660)	3650 (1660)	
Open-View Full Free-Lift 3-Stage (FSW)	237.5 (6040)	101 (2565)	263 (6680)	285.8 (7260)	75.6 (1340)	53 (1345)	6	5	—	3500 (1590) ²	
	189 (4800)	83.0 (2108)	208.0 (5283)	236.0 (5994)	64.0 (1625)	35.0 (889)	6	5	3900 (1770)	—	
	193 (4900)	84.0 (2134)	211.0 (5359)	239.0 (6071)	65.0 (1651)	36.0 (914)	6	5	3850 (1750)	—	
	204.5 (5200)	88.0 (2235)	223.0 (5664)	251.0 (6375)	69.0 (1753)	40.0 (1016)	6	5	3750 (1700)	—	
	224.5 (5700)	95.0 (2413)	244.0 (6198)	272.0 (6909)	76.0 (1930)	47.0 (1194)	6	5	3600 (1630)	—	
Full Free-Lift 4-Stage (QFV)	228.5 (5800)	99.0 (2515)	247.0 (6274)	275 (6985)	80.0 (2032)	51.0 (1295)	6	5	—	3550 (1610) ²	
	241.5 (6100)	83.1 (2110)	262.6 (6670)	289.6 (7355)	62.1 (1575)	35 (890)	6	5	—	3700 (1680) ²	
	259.5 (6600)	89 (2260)	280.7 (7130)	307.7 (7815)	68 (1725)	40.9 (1040)	6	5	—	3200 (1450) ²	
	278 (700)	95.3 (2420)	298.8 (7590)	325.8 (8275)	74.3 (1885)	47.2 (1200)	6	5	—	1900 (860) ²	

MAST TYPE	MAXIMUM FORK HEIGHT (TOP OF FORKS)	OVERALL HEIGHT				FREE-LIFT		TILT RANGE		LOAD CAPACITY AT 24 IN. (600 MM) LOAD CENTER	
		LOWERED	EXTENDED		WITHOUT LOAD BACKREST	WITH STANDARD LOAD BACKREST ¹	FWD	BWD	STANDARD TREAD	WIDE TREAD	
			WITHOUT LOAD BACKREST	WITH STANDARD LOAD BACKREST ¹							
			in (mm)	in (mm)							in (mm)
8FBCU20-COMP											
Wide Visible (V)	80 (2040)	57.7 (1465)	105.9 (2690)	128.3 (3260)	6.1 (155)	6.1 (155)	6	5	4000 (1810)	4000 (1810)	
	119.5 (3040)	77.4 (1965)	145.2 (3690)	167.7 (4260)	6.1 (155)	6.1 (155)	6	8	4000 (1810)	4000 (1810)	
	131.5 (3340)	83.3 (2115)	157.1 (3990)	179.5 (4560)	6.1 (155)	6.1 (155)	6	8	4000 (1810)	4000 (1810)	
	139 (3540)	87.2 (2215)	164.9 (4190)	187.4 (4760)	6.1 (155)	6.1 (155)	6	8	4000 (1810)	4000 (1810)	
	147 (3740)	93.5 (2375)	173.8 (4390)	195.3 (4960)	6.1 (155)	6.1 (155)	6	8	4000 (1810)	4000 (1810)	
Full Free-Lift 2-Stage (FV)	159 (4040)	101 (2565)	184.6 (4690)	207.1 (5260)	6.1 (155)	6.1 (155)	6	8	4000 (1810)	4000 (1810)	
	119.5 (3040)	77.4 (1965)	143.5 (3645)	167.7 (4260)	53.6 (1360)	29.3 (745)	6	8	4000 (1810)	4000 (1810)	
	131.5 (3340)	83.3 (2115)	155.3 (3945)	179.5 (4560)	59.5 (1510)	35.2 (895)	6	8	4000 (1810)	4000 (1810)	
Full Free-Lift 3-Stage (FSV)	139 (3540)	87.2 (2215)	163.1 (4145)	187.4 (4760)	63.4 (1610)	39.2 (995)	6	8	4000 (1810)	4000 (1810)	
	159 (4040)	73.4 (1865)	184.2 (4680)	207.1 (5260)	48.1 (1220)	25.4 (645)	6	5	4000 (1810)	4000 (1810)	
	170.5 (4340)	77.4 (1965)	196 (4980)	218.9 (5560)	52 (1320)	29.4 (745)	6	5	4000 (1810)	4000 (1810)	
	189 (4800)	83.3 (2115)	214.3 (5445)	237.2 (6025)	57.9 (1470)	35.3 (895)	6	5	3900 (1770)	3900 (1770)	
	198 (5040)	87.2 (2215)	223.6 (5680)	246.5 (6260)	61.9 (1570)	39.2 (995)	6	5	3850 (1750)	3850 (1750)	
	218 (5540)	93.5 (2375)	243.3 (6180)	266.1 (6760)	68.2 (1150)	45.5 (1155)	6	5	3650 (1660)	3650 (1660)	
Open-View Full Free-Lift 3-Stage (FSW)	237.5 (6040)	101 (2565)	263 (6680)	285.8 (7260)	75.6 (1340)	53 (1345)	6	5	—	3500 (1590) ²	
	189 (4800)	83.0 (2108)	208.0 (5283)	236.0 (5994)	64.0 (1625)	35.0 (889)	6	5	3900 (1770)	—	
	193 (4900)	84.0 (2134)	211.0 (5359)	239.0 (6071)	65.0 (1651)	36.0 (914)	6	5	3850 (1750)	—	
	204.5 (5200)	88.0 (2235)	223.0 (5664)	251.0 (6375)	69.0 (1753)	40.0 (1016)	6	5	3750 (1700)	—	
	224.5 (5700)	95.0 (2413)	244.0 (6198)	272.0 (6909)	76.0 (1930)	47.0 (1194)	6	5	3600 (1630)	—	
Full Free-Lift 4-Stage (QFV)	228.5 (5800)	99.0 (2515)	247.0 (6274)	275 (6985)	80.0 (2032)	51.0 (1295)	6	5	—	3550 (1610) ²	
	241.5 (6100)	83.1 (2110)	262.6 (6670)	289.6 (7355)	62.1 (1575)	35 (890)	6	5	—	3550 (1610) ²	
	259.5 (6600)	89 (2260)	280.7 (7130)	307.7 (7815)	68 (1725)	40.9 (1040)	6	5	—	3200 (1440) ²	
	278 (700)	95.3 (2420)	298.8 (7590)	325.8 (8275)	74.3 (1885)	47.2 (1200)	6	5	—	1900 (860) ²	

¹ Height of standard load backrest is 48" (1220 mm).
² Includes Wide Tread as Standard Equipment.

MAST SPECIFICATIONS

MAST TYPE	MAXIMUM FORK HEIGHT (TOP OF FORKS)	OVERALL HEIGHT			FREE-LIFT		TILT RANGE		LOAD CAPACITY AT 24 IN. (600 MM) LOAD CENTER	
		LOWERED	EXTENDED		WITHOUT LOAD BACKREST	WITH STANDARD LOAD BACKREST ¹	FWD	BWD	STANDARD TREAD	WIDE TREAD
			WITHOUT LOAD BACKREST	WITH STANDARD LOAD BACKREST ¹						
in (mm)		in (mm)	in (mm)	in (mm)	in (mm)	in (mm)	deg	deg	lb (kg)	lb (kg)
8FBCU25										
Wide Visible (V)	80.5 (2040)	57.7 (1465)	105.9 (2690)	128.3 (3260)	6.1 (155)	6.1 (155)	6	5	5000 (2270)	5000 (2270)
	119.5 (3040)	77.4 (1965)	145.2 (3690)	167.7 (4260)	6.1 (155)	6.1 (155)	6	8	5000 (2270)	5000 (2270)
	131.5 (3340)	83.3 (2115)	157.1 (3990)	179.5 (4560)	6.1 (155)	6.1 (155)	6	8	5000 (2270)	5000 (2270)
	139.0 (3540)	87.2 (2215)	164.9 (4190)	187.4 (4760)	6.1 (155)	6.1 (155)	6	8	5000 (2270)	5000 (2270)
	147 (3740)	93.5 (2375)	173.8 (4390)	195.3 (4960)	6.1 (155)	6.1 (155)	6	8	5000 (2270)	5000 (2270)
Full Free-Lift 2-Stage (FV)	159 (4040)	101 (2565)	184.6 (4690)	207.1 (5260)	6.1 (155)	6.1 (155)	6	8	5000 (2270)	5000 (2270)
	119.5 (3040)	77.4 (1965)	143.5 (3645)	167.7 (4260)	53.6 (1360)	29.3 (745)	6	8	5000 (2270)	5000 (2270)
Full Free-Lift 3-Stage (FSV)	131.5 (3340)	83.3 (2115)	155.3 (3945)	179.5 (4560)	59.5 (1510)	35.2 (895)	6	8	5000 (2270)	5000 (2270)
	139 (3540)	87.2 (2215)	163.1 (4145)	187.4 (4760)	63.4 (1610)	39.2 (995)	6	8	5000 (2270)	5000 (2270)
	159 (4040)	73.4 (1865)	184.2 (4680)	207.1 (5260)	48.1 (1220)	25.4 (645)	6	5	5000 (2270)	5000 (2270)
	170.5 (4340)	77.4 (1965)	196 (4980)	218.9 (5560)	52 (1320)	29.4 (745)	6	5	5000 (2270)	5000 (2270)
	189 (4800)	83.3 (2115)	214.3 (5445)	237.2 (6025)	57.9 (1470)	35.3 (895)	6	5	4850 (2200)	4850 (2200)
Open-View Full Free-Lift 3-Stage (FSW)	198 (5040)	87.2 (2215)	223.6 (5680)	246.5 (6260)	61.9 (1570)	39.2 (995)	6	5	4750 (2150)	4750 (2150)
	218 (5540)	93.5 (2375)	243.3 (6180)	266.1 (6760)	68.2 (1150)	45.5 (1155)	6	5	—	4600 (2090) ²
	237.5 (6040)	101 (2565)	263 (6680)	285.8 (7260)	75.6 (1340)	53 (1345)	6	5	—	4000 (1810) ²
	189 (4800)	83.0 (2108)	208.0 (5283)	236.0 (5994)	64.0 (1625)	35.0 (889)	6	5	4850 (2200)	—
	193 (4900)	84.0 (2134)	211.0 (5359)	239.0 (6071)	65.0 (1651)	36.0 (914)	6	5	4750 (2150)	—
Full Free-Lift 4-Stage (QFV)	204.5 (5200)	88.0 (2235)	223.0 (5664)	251.0 (6375)	69.0 (1753)	40.0 (1016)	6	5	4500 (2040)	—
	224.5 (5700)	95.0 (2413)	244.0 (6198)	272.0 (6909)	76.0 (1930)	47.0 (1194)	6	5	—	4000 (1810) ²
	228.5 (5800)	99.0 (2515)	247.0 (6274)	275 (6985)	80.0 (2032)	51.0 (1295)	6	5	—	3900 (1770) ²
	241.5 (6100)	83.1 (2110)	262.6 (6670)	289.6 (7355)	62.1 (1575)	35 (890)	6	5	—	4400 (2000) ²
	259.5 (6600)	89 (2260)	280.7 (7130)	307.7 (7815)	68 (1725)	40.9 (1040)	6	5	—	3850 (1750) ²
	278 (700)	95.3 (2420)	298.8 (7590)	325.8 (8275)	74.3 (1885)	47.2 (1200)	6	5	—	2500 (1130) ²

MAST TYPE	MAXIMUM FORK HEIGHT (TOP OF FORKS)	OVERALL HEIGHT			FREE-LIFT		TILT RANGE		LOAD CAPACITY AT 24 IN. (600 MM) LOAD CENTER	
		LOWERED	EXTENDED		WITHOUT LOAD BACKREST	WITH STANDARD LOAD BACKREST ¹	FWD	BWD	STANDARD TREAD	WIDE TREAD
			WITHOUT LOAD BACKREST	WITH STANDARD LOAD BACKREST ¹						
in (mm)		in (mm)	in (mm)	in (mm)	in (mm)	in (mm)	deg	deg	lb (kg)	lb (kg)
8FBCU25-COMP										
Wide Visible (V)	80.5 (2040)	57.7 (1465)	105.9 (2690)	128.3 (3260)	6.1 (155)	6.1 (155)	6	5	5000 (2270)	5000 (2270)
	119.5 (3040)	77.4 (1965)	145.2 (3690)	167.7 (4260)	6.1 (155)	6.1 (155)	6	8	5000 (2270)	5000 (2270)
	131.5 (3340)	83.3 (2115)	157.1 (3990)	179.5 (4560)	6.1 (155)	6.1 (155)	6	8	5000 (2270)	5000 (2270)
	139.0 (3540)	87.2 (2215)	164.9 (4190)	187.4 (4760)	6.1 (155)	6.1 (155)	6	8	5000 (2270)	5000 (2270)
	147 (3740)	93.5 (2375)	173.8 (4390)	195.3 (4960)	6.1 (155)	6.1 (155)	6	8	5000 (2270)	5000 (2270)
Full Free-Lift 2-Stage (FV)	159 (4040)	101 (2565)	184.6 (4690)	207.1 (5260)	6.1 (155)	6.1 (155)	6	8	5000 (2270)	5000 (2270)
	119.5 (3040)	77.4 (1965)	143.5 (3645)	167.7 (4260)	53.6 (1360)	29.3 (745)	6	8	5000 (2270)	5000 (2270)
Full Free-Lift 3-Stage (FSV)	131.5 (3340)	83.3 (2115)	155.3 (3945)	179.5 (4560)	59.5 (1510)	35.2 (895)	6	8	5000 (2270)	5000 (2270)
	139 (3540)	87.2 (2215)	163.1 (4145)	187.4 (4760)	63.4 (1610)	39.2 (995)	6	8	5000 (2270)	5000 (2270)
	159 (4040)	73.4 (1865)	184.2 (4680)	207.1 (5260)	48.1 (1220)	25.4 (645)	6	5	5000 (2270)	5000 (2270)
	170.5 (4340)	77.4 (1965)	196 (4980)	218.9 (5560)	52 (1320)	29.4 (745)	6	5	5000 (2270)	5000 (2270)
	189 (4800)	83.3 (2115)	214.3 (5445)	237.2 (6025)	57.9 (1470)	35.3 (895)	6	5	4850 (2200)	4850 (2200)
Open-View Full Free-Lift 3-Stage (FSW)	198 (5040)	87.2 (2215)	223.6 (5680)	246.5 (6260)	61.9 (1570)	39.2 (995)	6	5	4750 (2150)	4750 (2150)
	218 (5540)	93.5 (2375)	243.3 (6180)	266.1 (6760)	68.2 (1150)	45.5 (1155)	6	5	—	4550 (2060) ²
	237.5 (6040)	101 (2565)	263 (6680)	285.8 (7260)	75.6 (1340)	53 (1345)	6	5	—	4400 (2000) ²
	189 (4800)	83.0 (2108)	208.0 (5283)	236.0 (5994)	64.0 (1625)	35.0 (889)	6	5	4850 (2200)	—
	193 (4900)	84.0 (2134)	211.0 (5359)	239.0 (6071)	65.0 (1651)	36.0 (914)	6	5	4750 (2150)	—
Full Free-Lift 4-Stage (QFV)	204.5 (5200)	88.0 (2235)	223.0 (5664)	251.0 (6375)	69.0 (1753)	40.0 (1016)	6	5	4500 (2040)	—
	224.5 (5700)	95.0 (2413)	244.0 (6198)	272.0 (6909)	76.0 (1930)	47.0 (1194)	6	5	—	4000 (1810) ²
	228.5 (5800)	99.0 (2515)	247.0 (6274)	275 (6985)	80.0 (2032)	51.0 (1295)	6	5	—	3900 (1770) ²
	241.5 (6100)	83.1 (2110)	262.6 (6670)	289.6 (7355)	62.1 (1575)	35 (890)	6	5	—	4200 (1900) ²
	259.5 (6600)	89 (2260)	280.7 (7130)	307.7 (7815)	68 (1725)	40.9 (1040)	6	5	—	3950 (1790) ²
	278 (700)	95.3 (2420)	298.8 (7590)	325.8 (8275)	74.3 (1885)	47.2 (1200)	6	5	—	2700 (1220) ²

¹ Height of standard load backrest is 48" (1220 mm).
² Includes Wide Tread as Standard Equipment.

MAST TYPE	MAXIMUM FORK HEIGHT (TOP OF FORKS)	OVERALL HEIGHT				FREE-LIFT		TILT RANGE		LOAD CAPACITY AT 24 IN. (600 MM) LOAD CENTER	
		LOWERED	EXTENDED		WITHOUT LOAD BACKREST	WITH STANDARD LOAD BACKREST ¹	FWD	BWD	STANDARD TREAD	WIDE TREAD	
			WITHOUT LOAD BACKREST	WITH STANDARD LOAD BACKREST ¹							
			in (mm)	in (mm)							in (mm)
8FBCU25											
Wide Visible (V)	80.0 (2040)	57.7 (1465)	105.9 (2690)	128.3 (3260)	6.1 (155)	6.1 (155)	6	5	5000 (2270)	5000 (2270)	
	119.5 (3040)	77.4 (1965)	145.2 (3690)	167.7 (4260)	6.1 (155)	6.1 (155)	6	8	5000 (2270)	5000 (2270)	
	131.5 (3340)	83.3 (2115)	157.1 (3990)	179.5 (4560)	6.1 (155)	6.1 (155)	6	8	5000 (2270)	5000 (2270)	
	139.0 (3540)	87.2 (2215)	164.9 (4190)	187.4 (4760)	6.1 (155)	6.1 (155)	6	8	5000 (2270)	5000 (2270)	
	147 (3740)	93.5 (2375)	173.8 (4390)	195.3 (4960)	6.1 (155)	6.1 (155)	6	8	5000 (2270)	5000 (2270)	
Full Free-Lift 2-Stage (FV)	159 (4040)	101 (2565)	184.6 (4690)	207.1 (5260)	6.1 (155)	6.1 (155)	6	8	5000 (2270)	5000 (2270)	
	119.5 (3040)	77.4 (1965)	143.5 (3645)	167.7 (4260)	53.6 (1360)	29.3 (745)	6	8	5000 (2270)	5000 (2270)	
	131.5 (3340)	83.3 (2115)	155.3 (3945)	179.5 (4560)	59.5 (1510)	35.2 (895)	6	8	5000 (2270)	5000 (2270)	
Full Free-Lift 3-Stage (FSV)	139 (3540)	87.2 (2215)	163.1 (4145)	187.4 (4760)	63.4 (1610)	39.2 (995)	6	8	5000 (2270)	5000 (2270)	
	159 (4040)	73.4 (1865)	184.2 (4680)	207.1 (5260)	48.1 (1220)	25.4 (645)	6	5	5000 (2270)	5000 (2270)	
	170.5 (4340)	77.4 (1965)	196 (4980)	218.9 (5560)	52 (1320)	29.4 (745)	6	5	5000 (2270)	5000 (2270)	
	189 (4800)	83.3 (2115)	214.3 (5445)	237.2 (6025)	57.9 (1470)	35.3 (895)	6	5	4850 (2200)	4850 (2200)	
	198 (5040)	87.2 (2215)	223.6 (5680)	246.5 (6260)	61.9 (1570)	39.2 (995)	6	5	4750 (2150)	4750 (2150)	
	218 (5540)	93.5 (2375)	243.3 (6180)	266.1 (6760)	68.2 (1150)	45.5 (1155)	6	5	—	4600 (2090) ²	
Open-View Full Free-Lift 3-Stage (FSW)	237.5 (6040)	101 (2565)	263 (6680)	285.8 (7260)	75.6 (1340)	53 (1345)	6	5	—	4150 (1880) ²	
	189 (4800)	83.0 (2108)	208.0 (5283)	236.0 (5994)	64.0 (1625)	35.0 (889)	6	5	4850 (2200)	—	
	193 (4900)	84.0 (2134)	211.0 (5359)	239.0 (6071)	65.0 (1651)	36.0 (914)	6	5	4750 (2150)	—	
	204.5 (5200)	88.0 (2235)	223.0 (5664)	251.0 (6375)	69.0 (1753)	40.0 (1016)	6	5	4500 (2040)	—	
	224.5 (5700)	95.0 (2413)	244.0 (6198)	272.0 (6909)	76.0 (1930)	47.0 (1194)	6	5	—	4000 (1810) ²	
	228.5 (5800)	99.0 (2515)	247.0 (6274)	275 (6985)	80.0 (2032)	51.0 (1295)	6	5	—	3900 (1770) ²	
Full Free-Lift 4-Stage (QFV)	241.5 (6100)	83.1 (2110)	262.6 (6670)	289.6 (7355)	62.1 (1575)	35 (890)	6	5	—	4250 (1930) ²	
	259.5 (6600)	89 (2260)	280.7 (7130)	307.7 (7815)	68 (1725)	40.9 (1040)	6	5	—	4000 (1810) ²	
	278 (700)	95.3 (2420)	298.8 (7590)	325.8 (8275)	74.3 (1885)	47.2 (1200)	6	5	—	2850 (1290) ²	

MAST TYPE	MAXIMUM FORK HEIGHT (TOP OF FORKS)	OVERALL HEIGHT				FREE-LIFT		TILT RANGE		LOAD CAPACITY AT 24 IN. (600 MM) LOAD CENTER	
		LOWERED	EXTENDED		WITHOUT LOAD BACKREST	WITH STANDARD LOAD BACKREST ¹	FWD	BWD	STANDARD TREAD	WIDE TREAD	
			WITHOUT LOAD BACKREST	WITH STANDARD LOAD BACKREST ¹							
			in (mm)	in (mm)							in (mm)
8FBCU28											
Wide Visible (V)	80.5 (2045)	57.5 (1460)	107.9 (2740)	128.5 (3265)	5.3 (135)	5.3 (135)	6	5	5500 (2490)	5500 (2490)	
	119.5 (3045)	77.2 (1960)	147.2 (3740)	167.9 (4265)	5.3 (135)	5.3 (135)	6	8	5500 (2490)	5500 (2490)	
	131.5 (3345)	83.1 (2110)	159.1 (4040)	179.7 (4565)	5.3 (135)	5.3 (135)	6	8	5500 (2490)	5500 (2490)	
	139.5 (3545)	87 (2210)	166.9 (4240)	187.6 (4765)	5.3 (135)	5.3 (135)	6	8	5500 (2490)	5500 (2490)	
	147 (3745)	93.3 (2370)	174.8 (4440)	195.5 (4965)	5.3 (135)	5.3 (135)	6	8	5500 (2490)	5500 (2490)	
Full Free-Lift 2-Stage (FV)	159 (4045)	100.8 (2560)	186.6 (4740)	207.3 (5265)	5.3 (135)	5.3 (135)	6	8	5500 (2490)	5500 (2490)	
	119.5 (3045)	77.2 (1960)	143.9 (3655)	167.8 (4265)	53.2 (1350)	29.2 (740)	6	8	5500 (2490)	5500 (2490)	
	131.5 (3345)	83.1 (2110)	155.8 (3955)	179.7 (4565)	59.1 (1500)	35.1 (890)	6	8	5500 (2490)	5500 (2490)	
Full Free-Lift 3-Stage (FSV)	139.5 (3545)	87 (2210)	163.7 (4155)	187.5 (4765)	63.1 (1600)	39.1 (990)	6	8	5500 (2490)	5500 (2490)	
	159 (4045)	77.2 (1960)	183.2 (4655)	207.2 (5265)	53.1 (1349)	50.1 (1273)	6	5	5500 (2490)	5500 (2490)	
	171 (4345)	83.1 (2110)	195 (4955)	219 (5565)	59.1 (1501)	56 (1422)	6	5	5350 (2430)	5350 (2430)	
	187 (4750)	87 (2210)	210.8 (5355)	234.8 (5965)	63 (1660)	59.9 (1521)	6	5	5300 (2400)	5300 (2400)	
	198.5 (5045)	93.3 (2370)	222.6 (5655)	246.6 (6265)	69.3 (1760)	66.2 (1681)	6	5	5250 (2380)	5250 (2380)	
	218 (5545)	100.8 (2560)	242.3 (6155)	266.3 (6765)	76.8 (1951)	73.7 (1872)	6	5	5050 (2290)	5050 (2290)	
Open-View Full Free-Lift 3-Stage (FSW)	237.5 (6045)	110.5 (2810)	262 (6655)	285.9 (7265)	86.6 (2200)	83.5 (2121)	6	5	4250 (1920)	4850 (2200)	
	157.5 (4000)	77.0 (1956)	159.3 (4040)	207.3 (5264)	—	29 (737)	6	5	5500 (2490)	5500 (2490)	
	177 (4500)	83.0 (2108)	177.3 (4500)	225.3 (5721)	—	35 (889)	6	5	5350 (2430)	5350 (2430)	
	189 (4800)	88.0 (2235)	188.3 (4780)	236.3 (6001)	—	40 (1016)	6	5	5300 (2400)	5300 (2400)	
	196.5 (5000)	93.0 (2362)	199.3 (5060)	247.3 (6280)	—	45 (1143)	6	5	5250 (2380)	5250 (2380)	
	216.5 (5500)	102.0 (2591)	218.3 (5540)	266.3 (6763)	—	54 (1372)	6	5	5000 (2270)	5000 (2270)	
Full Free-Lift 4-Stage (QFV) ³	236 (6000)	112.0 (2845)	238.3 (6050)	286.3 (7271)	—	64 (1627)	6	5	4250 (1920)	4850 (2200)	
	241.5 (6100)	83.1 (2110)	262.6 (6670)	289.6 (7355)	62.1 (1575)	35 (890)	6	5	—	4500 (2040) ²	
	259.5 (6600)	89 (2260)	280.7 (7130)	307.7 (7815)	68 (1725)	40.9 (1040)	6	5	—	3200 (1440) ²	
278 (7000)	95.3 (2420)	298.8 (7590)	325.8 (8275)	74.3 (1885)	47.2 (1200)	6	5	—	1900 (860) ²		

* All capacities of 1500 lbs. or less are subject to a secondary review & could be denied by Toyota.

¹ Height of standard load backrest is 48" (1220 mm).

² Includes Wide Tread as Standard Equipment.

³ QFV mast has 36"-wide Class II carriage.

MAST SPECIFICATIONS

MAST TYPE	MAXIMUM FORK HEIGHT (TOP OF FORKS)	OVERALL HEIGHT				FREE-LIFT		TILT RANGE		LOAD CAPACITY AT 24 IN. (600 MM) LOAD CENTER	
		LOWERED	EXTENDED		WITHOUT LOAD BACKREST	WITH STANDARD LOAD BACKREST ¹	FWD	BWD	STANDARD TREAD	WIDE TREAD	
			WITHOUT LOAD BACKREST	WITH STANDARD LOAD BACKREST ¹							deg
8FBCU30											
Wide Visible (V)	80.5 (2045)	57.5 (1460)	107.9 (2740)	128.5 (3265)	5.3 (135)	5.3 (135)	6	5	6000 (2720)	6000 (2720)	
	119.5 (3045)	77.2 (1960)	147.2 (3740)	167.9 (4265)	5.3 (135)	5.3 (135)	6	8	6000 (2720)	6000 (2720)	
	131.5 (3345)	83.1 (2110)	159.1 (4040)	179.7 (4565)	5.3 (135)	5.3 (135)	6	8	6000 (2720)	6000 (2720)	
	139.5 (3545)	87 (2210)	166.9 (4240)	187.6 (4765)	5.3 (135)	5.3 (135)	6	8	6000 (2720)	6000 (2720)	
	147 (3745)	93.3 (2370)	174.8 (4440)	195.5 (4965)	5.3 (135)	5.3 (135)	6	8	6000 (2720)	6000 (2720)	
Full Free-Lift 2-Stage (FV)	119.5 (3045)	77.2 (1960)	143.9 (3655)	167.8 (4265)	53.2 (1350)	29.2 (740)	6	8	6000 (2720)	6000 (2720)	
	131.5 (3345)	83.1 (2110)	155.7 (3955)	179.7 (4565)	59.1 (1500)	35.1 (890)	6	8	6000 (2720)	6000 (2720)	
	139.5 (3545)	87 (2210)	163.5 (4155)	187.5 (4765)	63.1 (1600)	39.1 (990)	6	8	6000 (2720)	6000 (2720)	
Full Free-Lift 3-Stage (FSV)	159 (4045)	77.2 (1960)	183.2 (4655)	207.2 (5265)	53.1 (1349)	29.2 (745)	6	5	6000 (2720)	6000 (2720)	
	171 (4345)	83.1 (2110)	195 (4955)	219 (5565)	59.1 (1501)	35.1 (890)	6	5	5900 (2680)	5900 (2680)	
	187 (4750)	87 (2210)	210.8 (5355)	234.8 (5965)	63 (1660)	39.1 (990)	6	5	5800 (2630)	5800 (2630)	
	198.5 (5045)	93.3 (2370)	222.6 (5655)	246.6 (6265)	69.3 (1760)	45.4 (1150)	6	5	5650 (2560)	5650 (2560)	
	218 (5545)	100.8 (2560)	242.3 (6155)	266.3 (6765)	76.8 (1951)	52.9 (1340)	6	5	5450 (2470)	5450 (2470)	
	237.5 (6045)	110.6 (2810)	262 (6655)	285.9 (7265)	86.6 (2200)	62.7 (1590)	6	5	4400 (1990)	5250 (2380)	
Open-View Full Free-Lift 3-Stage (FSW)	157.5 (4000)	77.0 (1956)	159.3 (4040)	207.3 (5264)	—	29 (737)	6	5	6000 (2720)	6000 (2720)	
	177 (4500)	83.0 (2108)	177.3 (4500)	225.3 (5721)	—	35 (889)	6	5	5850 (2650)	5850 (2650)	
	189 (4800)	88.0 (2235)	188.3 (4780)	236.3 (6001)	—	40 (1016)	6	5	5800 (2630)	5800 (2630)	
	196.5 (5000)	93.0 (2362)	199.3 (5060)	247.3 (6280)	—	45 (1143)	6	5	5650 (2560)	5650 (2560)	
	216.5 (5500)	102.0 (2591)	218.3 (5540)	266.3 (6763)	—	54 (1372)	6	5	5450 (2470)	5450 (2470)	
	236 (6000)	112.0 (2845)	238.3 (6050)	286.3 (7271)	—	64 (1627)	6	5	4400 (1990)	4400 (2000)	
Full Free-Lift 4-Stage (QFV) ³	241.5 (6100)	83.1 (2110)	262.6 (6670)	289.6 (7355)	62.1 (1575)	35 (890)	6	5	—	4500 (2040) ²	
	259.5 (6600)	89 (2260)	280.7 (7130)	307.7 (7815)	68 (1725)	40.9 (1040)	6	5	—	3450 (1560) ²	
	278 (7000)	95.3 (2420)	298.8 (7590)	325.8 (8275)	74.3 (1885)	47.2 (1200)	6	5	—	2250 (1020) ²	

MAST TYPE	MAXIMUM FORK HEIGHT (TOP OF FORKS)	OVERALL HEIGHT				FREE-LIFT		TILT RANGE		LOAD CAPACITY AT 24 IN. (600 MM) LOAD CENTER	
		LOWERED	EXTENDED		WITHOUT LOAD BACKREST	WITH STANDARD LOAD BACKREST ¹	FWD	BWD	STANDARD TREAD	WIDE TREAD	
			WITHOUT LOAD BACKREST	WITH STANDARD LOAD BACKREST ¹							deg
8FBCU32											
Wide Visible (V)	80.5 (2045)	57.5 (1460)	107.9 (2740)	128.5 (3265)	5.3 (135)	5.3 (135)	6	5	6500 (2950)	6500 (2950)	
	119.5 (3045)	77.2 (1960)	147.2 (3740)	167.9 (4265)	5.3 (135)	5.3 (135)	6	8	6500 (2950)	6500 (2950)	
	131.5 (3345)	83.1 (2110)	159.1 (4040)	179.7 (4565)	5.3 (135)	5.3 (135)	6	8	6500 (2950)	6500 (2950)	
	139.5 (3545)	87 (2210)	166.9 (4240)	187.6 (4765)	5.3 (135)	5.3 (135)	6	8	6500 (2950)	6500 (2950)	
	147 (3745)	93.3 (2370)	174.8 (4440)	195.5 (4965)	5.3 (135)	5.3 (135)	6	8	6500 (2950)	6500 (2950)	
Full Free-Lift 2-Stage (FV)	119.5 (3045)	77.2 (1960)	147 (3735)	167.8 (4265)	50.1 (1270)	29.2 (740)	6	8	6500 (2950)	6500 (2950)	
	131.5 (3345)	83.1 (2110)	158.8 (4035)	179.7 (4565)	56 (1420)	35.1 (890)	6	8	6500 (2950)	6500 (2950)	
	139.5 (3545)	87 (2210)	166.7 (4235)	187.5 (4765)	59.9 (1520)	39.1 (990)	6	8	6500 (2950)	6500 (2950)	
Full Free-Lift 3-Stage (FSV)	159 (4045)	77.2 (1960)	186.3 (4735)	207.2 (5265)	50.1 (1270)	29.2 (745)	6	5	6500 (2950)	6500 (2950)	
	171 (4345)	83.1 (2110)	198.2 (5035)	219 (5565)	56 (1420)	35.1 (890)	6	5	6400 (2900)	6400 (2900)	
	187 (4750)	87 (2210)	213.9 (5435)	234.8 (5965)	59.9 (1520)	39.1 (990)	6	5	6300 (2860)	6300 (2860)	
	198.5 (5045)	93.3 (2370)	225.7 (5735)	246.6 (6265)	66.2 (1680)	45.4 (1150)	6	5	6150 (2790)	6150 (2790)	
	218 (5545)	100.8 (2560)	245.4 (6235)	266.3 (6765)	73.7 (1870)	52.9 (1340)	6	5	5900 (2680)	5900 (2680)	
	237.5 (6045)	110.5 (2810)	265.1 (6735)	285.9 (7265)	83.5 (2120)	62.7 (1590)	6	5	4250 (1920)	5700 (2590)	
Open-View Full Free-Lift 3-Stage (FSW)	157.5 (4000)	77.0 (1956)	159.3 (4040)	207.3 (5264)	—	29 (737)	6	5	6500 (2950)	6500 (2950)	
	177 (4500)	83.0 (2108)	177.3 (4500)	225.3 (5721)	—	35 (889)	6	5	6350 (2880)	6350 (2880)	
	189 (4800)	88.0 (2235)	188.3 (4780)	236.3 (6001)	—	40 (1016)	6	5	6300 (2860)	6300 (2860)	
	196.5 (5000)	93.0 (2362)	199.3 (5060)	247.3 (6280)	—	45 (1143)	6	5	—	6150 (2790)	
	216.5 (5500)	102.0 (2591)	218.3 (5540)	266.3 (6763)	—	54 (1372)	6	5	—	5900 (2680)	
	236 (6000)	112.0 (2845)	238.3 (6050)	286.3 (7271)	—	64 (1627)	6	5	—	5700 (2590)	
Full Free-Lift 4-Stage (QFV) ³	241.5 (6100)	83.1 (2110)	262.6 (6670)	289.6 (7355)	62.1 (1575)	35 (890)	6	5	—	4500 (2040) ²	
	259.5 (6600)	89 (2260)	280.7 (7130)	307.7 (7815)	68 (1725)	40.9 (1040)	6	5	—	3300 (1490) ²	
	278 (7000)	95.3 (2420)	298.8 (7590)	325.8 (8275)	74.3 (1885)	47.2 (1200)	6	5	—	2100 (950) ²	

* All capacities of 1500 lbs. or less are subject to a secondary review & could be denied by Toyota.

¹ Height of standard load backrest is 48" (1220 mm).

² Includes Wide Tread as Standard Equipment.

³ QFV mast has 36"-wide Class II carriage.





“I’M HERE TO MAKE SURE YOUR FORKLIFTS DON’T TAKE VACATION DAYS.”

Butch - 360 Technician, ProLift, Cincinnati, Ohio



HELP IS ALWAYS HERE WITH TOYOTA 360 SUPPORT.

The industry’s best and most comprehensive dealer network quickly delivers Toyota Certified Technicians to your work site. These specially trained technicians can also help assess your warehouse and facility needs to recommend the right equipment for the job. And with the largest fleet of material handling equipment, Toyota 360 keeps your business running at full speed.

ToyotaForklift.com/360-Support



YOUR BUSINESS IS RIDING ON IT.

Some product features described herein are optional. Please consult your dealer for specifications. Details of specifications and equipment are based on information available at time of printing and may change without notice.

