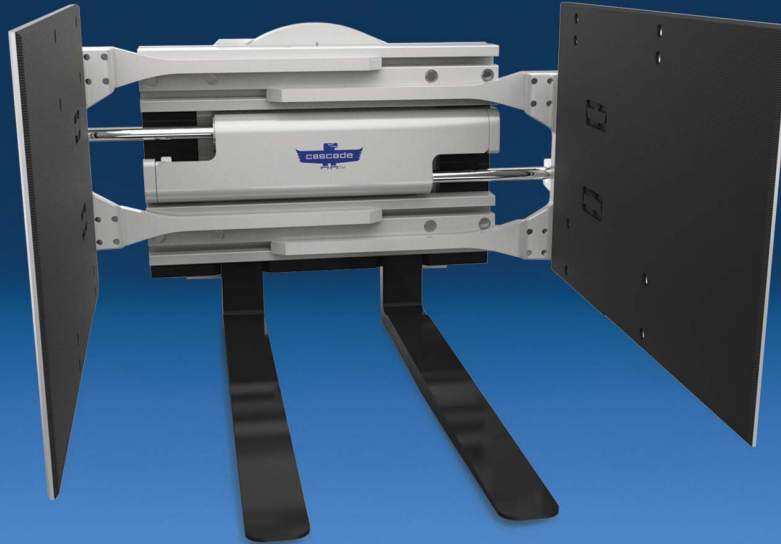


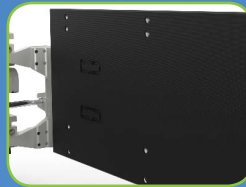
Efficiently Clamp and Rotate Your Bulk Box Containers



Easy mounting and removal



Frame bumper protect hydraulics



High friction pad surface



Superior arm slide bearing material



Regenerative hydraulic valve standard

APPLICATIONS

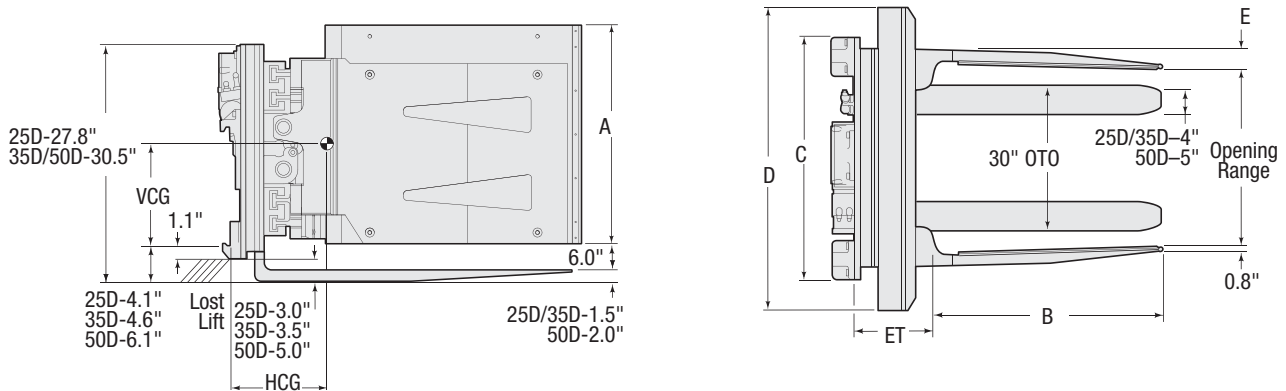
Bulk Box Handlers are versatile attachments used to handle produce, piece parts, and other items where a box attached to a pallet requires support of multipurpose arms for rotating and dumping.

FEATURES

- Easy mounting and removal.
- Variable arm sizes available.
- Excellent visibility.
- Rugged lightweight construction.
- Fast arm opening speeds with less energy consumption.
- High net capacity.
- Superior arm slide bearing material and design extends bearing life.
- Regenerative hydraulic valve is standard and offers optimal arm speed.
- Frame bumper protect hydraulics.

OPTIONS

- Custom opening ranges available.
- High speed or high torque rotator loader.
- Fold-up forks.
- Quick-disconnect (QD) mounting.
- 180° rotation stop group.
- Custom arm pad and fork sizes.



360° Rotation

Catalog Order No.	Capacity@ 24" (600 mm) Load Center		Opening Range	Mtg. Class	Mtg. Angle	Arm Height	Usable Fork/ Arm Length	Hook Spread	Weight		Effective Thickness	Horizontal Ctr. of Gravity	Vertical Ctr. of Gravity	Overall Width	Arm Thickness
	lbs	kg							ITI	A					
25D-BBH	3,000	1,59	21.7"-70.7" ①	II	0°	24"	42"	21.1"	1,630	740	11.0"	13.5"	9.5"	37"	2.2"
35D-BBH	4,000	1,82	21.7"-70.7" ①	II	0°	24"	42"	32"	1,930	876	12.4"	15.8"	13.1"	37"	2.2"
50D-BBH	5,000	2,27	23.1"-70.9"	III	0°	36"	42"	32"	2,580	1,171	13.5"	16.8"	14.0"	40"	2.5"

① Published opening range limits nominal clamp dimensions only and may not accommodate loads with same or close to same dimension. Consult Cascade for further assistance.

- ▶ Bulk Box Handlers are built to order. Arm sizes vary and are based on the size of the box. Prices vary accordingly, consult Cascade.
- ▶ Bolt-on fork configuration available. Consult Cascade for capacity and pricing.
- ▶ See page 9-1 for hydraulic flow, pressure and rotator specifications.
- ▶ Optional body bumper available.

When ordering please specify:

- Arm length
- Arm height
- Usable fork length
- Fork spread
- Opening range
- Distance between fork and arm