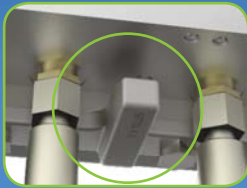
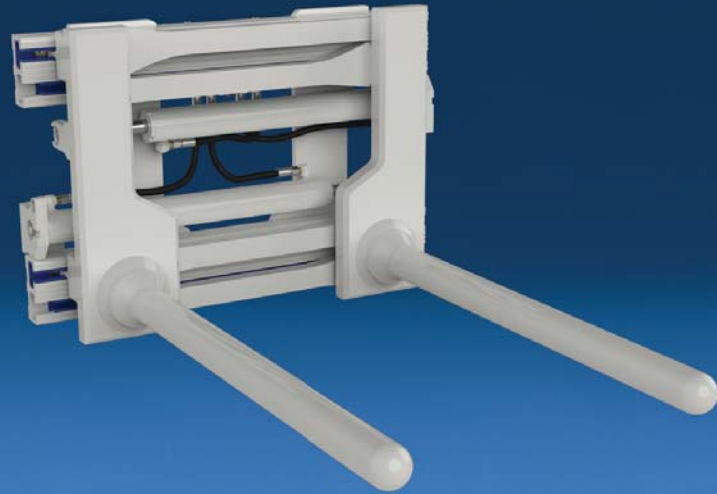


Textile Roll Handling Made Easy



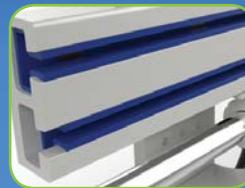
True centering key for precise and secure mounting



Standard adjustable pressure relief in clamp and sideshift functions



Optional hardened full width wear strip protects frame from damage when scraping on the ground



No maintenance bearings with 10,000 hour warranty



Optional cylinder bumper protects the hydraulic lines and cylinders from impact and debris

APPLICATIONS

Designed primarily for the textile industry, Cascade Bar Arm Attachments are used for handling rolls of cloth material such as towels, linens and denim. The round bar arms of the Bar Arm Attachment can either cradle single or multiple rolls between the arms, or enter the core to handle the roll. The round surface and ends of the bar arms eliminate any tearing, snagging or puncturing of the material that may occur with standard forks.

J-SERIES FEATURES

Industry-leading visibility.

Efficient hydraulic system which minimizes energy consumption and maximizes performance.

- Clamp and backhand protection.
- Flow divider for equal arm movement.
- Top-mounted hydraulic cartridges and test port for ease of access and adjustment.
- Sideshift circuit relief optimizes sideshift speed and performance.

Rugged design for optimal strength, durability and performance.

- Center mounted hardened replaceable frame wear segment. *(Except for revolving models).*
- High strength steel frame.
- Lubrication-free, full length UHMW bearings.
- High strength steel castings.
- Maximum clamp force for secure handling.

Designed for convenience and performance.

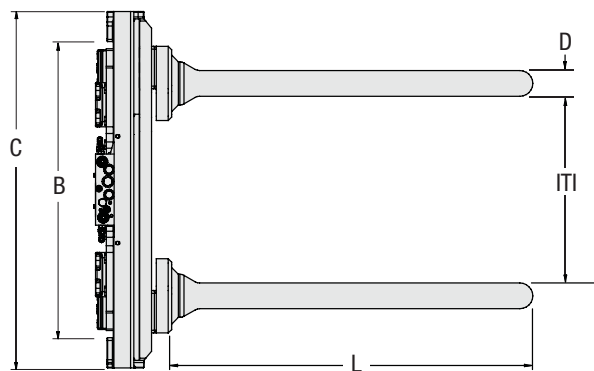
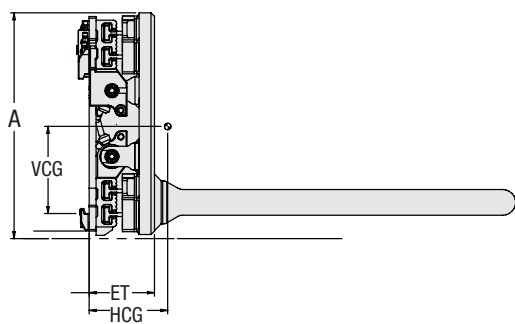
- Integrated true centering key for precise and secure installation.
- Available in two pressure offerings to match attachment to truck hydraulic system.

UNIQUE ARM FEATURES

- Heavy-duty rounded end bars minimizes potential for damage.
- Custom bar arm lengths, diameters and tip configurations.
- Centered or inset bar arm mounting locations.

OPTIONS

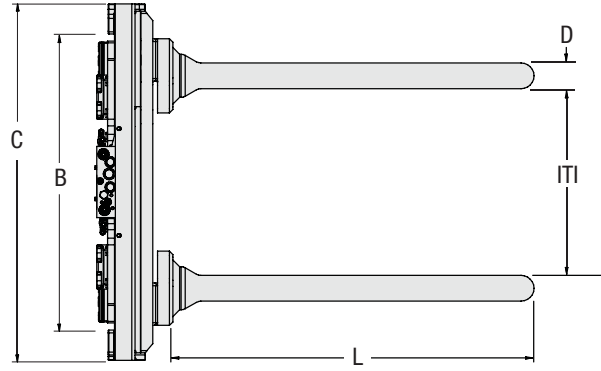
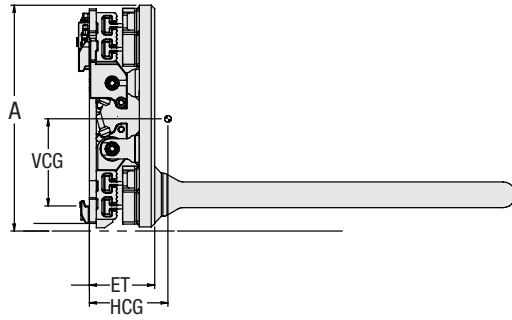
- Special frame widths and opening ranges.
- High pressure and low pressure hydraulics systems.
- Basic and sideshifting models.
- Other arm dimensions.
- Independent arm control.
- Regeneration valve (faster opening speed for low flow electric trucks).
- External sideshifter mounting.
- Full width bolt-on wear strips to protect the frame.
- Valve guard.
- Factory installed load backrest.
- Bumper/Cylinder cover.
- Quick Disconnect Mounting Kit.



Catalog Order No.	Capacity@ 24" (600 mm) Load Center		Boom Length x Diameter		Opening Range ①	Weight		Effective Thickness	Horizontal Ctr. of Gravity	Vertical Ctr. of Gravity	Frame Height	Hook Spread		Overall Width	Mounting Class
	lbs	kg	DxL	ITI		lbs	kg					ET	HCG		
14J-B0B-2A-0220	2,600	1,200	3" 42"	8.5"-50.3"	709	322	6.9"	8.9"	7.5"	24.8"	26.4"	36"	II		
14J-B0B-2A-0225	2,600	1,200	3" 48"	8.5"-50.3"	733	333	6.9"	10.2"	7.3"	24.8"	26.4"	36"	II		
18J-B0B-2A-0220	3,500	1,600	3" 42"	9.6"-55.0"	809	368	7.2"	8.4"	8.0"	25.3"	32.4"	38"	II		
18J-B0B-2A-0225	3,500	1,600	3" 48"	9.6"-55.0"	833	379	7.2"	9.6"	7.8"	25.3"	32.4"	38"	II		
18J-B0B-2A-0230	3,500	1,600	3" 60"	9.6"-55.0"	881	400	7.2"	12.4"	7.5"	25.3"	32.4"	38"	II		
22J-B0B-2A-0220	4,200	1,900	3" 42"	9.4"-55.0"	845	384	6.8"	8.4"	8.1"	25.3"	32.4"	39"	II		
22J-B0B-2A-0225	4,200	1,900	3" 48"	9.4"-55.0"	868	395	6.8"	9.6"	7.9"	25.3"	32.4"	39"	III		
22J-B0B-2A-0230	4,200	1,900	3" 60"	9.4"-55.0"	916	416	6.8"	12.2"	7.6"	25.3"	32.4"	39"	II		
22J-B0B-3A-0220	4,200	1,900	3" 42"	9.4"-55.0"	902	410	9.1"	9.3"	8.5"	25.3"	32.4"	39"	III		
22J-B0B-3A-0225	4,200	1,900	3" 48"	9.4"-55.0"	926	421	9.1"	10.5"	8.3"	25.3"	32.4"	39"	III		
22J-B0B-3A-0230	4,200	1,900	3" 60"	9.4"-55.0"	974	443	9.1"	13"	8.0"	25.3"	32.4"	39"	III		
26J-B0B-3A-0220	5,100	2,300	3" 42"	9.4"-55.1"	1,039	472	8.5"	8.0"	9.8"	28.7"	36.4"	40"	III		
26J-B0B-3A-0225	5,100	2,300	3" 48"	9.4"-55.1"	1,063	483	8.5"	8.9"	9.7"	28.7"	36.4"	40"	III		
26J-B0B-3A-0230	5,100	2,300	3" 60"	9.4"-55.1"	1,110	505	8.5"	11.2"	9.3"	28.7"	36.4"	40"	III		

① Published opening range represents nominal clamp dimensions only and may not accommodate loads with same or close to same dimension. Consult Cascade for further assistance.

- ▶ Other ranges available, consult Cascade.
- ▶ Valve configuration is RH Clamp, LH Sideshift (view from operator). Optional reverse valve configuration available.
- ▶ Quick Disconnect mounting available.



Catalog Order No.	Capacity@ 24" (600 mm) Load Center		Boom Length x Diameter		Opening Range	Weight		Effective Thickness	Horizontal Ctr. of Gravity	Vertical Ctr. of Gravity	Frame Height	Hook Spread	Overall Width	Mounting Class
	lbs	kg	DxL	ITI		lbs	kg							
14J-BOS-2A-0220	2,600	1,200	3" 42"	8.5"-50.3"	709	322	6.9"	8.9"	7.5"	24.8"	26.4"	36"	II	
14J-BOS-2A-0225	2,600	1,200	3" 48"	8.5"-50.3"	733	333	6.9"	10.2"	7.3"	24.8"	26.4"	36"	II	
18J-BOS-2A-0220	3,500	1,600	3" 42"	9.6"-55"	809	368	7.2"	8.4"	8.0"	25.3"	32.4"	38"	II	
18J-BOS-2A-0225	3,500	1,600	3" 48"	9.6"-55"	833	379	7.2"	9.6"	7.8"	25.3"	32.4"	38"	II	
18J-BOS-2A-0230	3,500	1,600	3" 60"	9.6"-55"	881	400	7.2"	12.4"	7.5"	25.3"	32.4"	38"	II	
22J-BOS-2A-0220	4,200	1,900	3" 42"	9.4"-55.0"	845	384	6.8"	8.4"	8.1"	25.3"	32.4"	39"	II	
22J-BOS-2A-0225	4,200	1,900	3" 48"	9.4"-55.0"	868	395	6.8"	9.6"	7.9"	25.3"	32.4"	39"	III	
22J-BOS-2A-0230	4,200	1,900	3" 60"	9.4"-55.0"	916	416	6.8"	12.2"	7.6"	25.3"	32.4"	39"	II	
22J-BOS-3A-0220	4,200	1,900	3" 42"	9.4"-55.0"	902	410	9.1"	9.3"	8.5"	25.3"	32.4"	39"	III	
22J-BOS-3A-0225	4,200	1,900	3" 48"	9.4"-55.0"	926	421	9.1"	10.5"	8.3"	25.3"	32.4"	39"	III	
22J-BOS-3A-0230	4,200	1,900	3" 60"	9.4"-55.0"	974	443	9.1"	13"	8.0"	25.3"	32.4"	39"	III	
26J-BOS-3A-0220	5,100	2,300	3" 42"	9.4"-55.1"	1,039	472	8.5"	8.0"	9.8"	28.7"	36.4"	40"	III	
26J-BOS-3A-0225	5,100	2,300	3" 48"	9.4"-55.1"	1,063	483	8.5"	8.9"	9.7"	28.7"	36.4"	40"	III	
26J-BOS-3A-0230	5,100	2,300	3" 60"	9.4"-55.1"	1,110	505	8.5"	11.2"	9.3"	28.7"	36.4"	40"	III	

① Published opening range represents nominal clamp dimensions only and may not accommodate loads with same or close to same dimension. Consult Cascade for further assistance.

- ▶ Other ranges available, consult Cascade.
- ▶ Valve configuration is RH Clamp, LH Sideshift (view from operator). Optional reverse valve configuration available.
- ▶ Quick Disconnect mounting available.

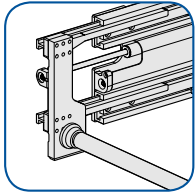
HYDRAULIC FLOW & PRESSURE

Model	Recommended Attachment Operating Pressure (psi)	Maximum Delivered Truck Pressure (psi)	Min-Rec-Max Function 1 (Sideshift) (gpm)	Min-Rec-Max Function 2 Clamp (gpm)
J-Series	155	2250	1-5-10	5-12-16

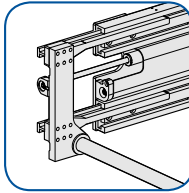
HYDRAULIC FUNCTIONS

Model	Hydraulic Functions	Truck Aux. Valves Required
All	2	2

OPTIONS



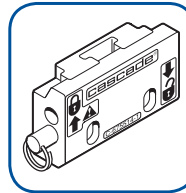
Centered (standard)



Inset

BAR ARM OPTIONS

Location of arm bars will effect opening range of attachment.



Quick-Disconnect Mounting Hooks

Quick-Disconnect Mounting Hooks increases versatility by allowing the attachments to be quickly exchanged.



Steel Hydraulic Valve Guard

Used to protect hydraulic valve from falling debris.



Cylinder Protection Bumper

High strength steel bumper protects hydraulic lines and cylinders from impact and debris.