



A high-capacity clamp for a wide variety of loads.

APPLICATIONS

The Cascade 70F Fork Clamp is ideal for handling a wide variety of loads. Awkward loads such as crates, bales, and tires can be clamped between the forks. The 70F fork clamp also functions as a fork positioner, allowing the truck operator to quickly reposition the forks to fit varying pallet or container configurations. Forks can be opened wider than the frame width—something a normal fork positioner cannot do—which makes handling wide loads easier and safer.

FEATURES

- Rugged I-beam frame for durability and visibility
- Regenerative hydraulic circuit for faster arm speed
- One piece frame bearings for superior durability and serviceability
- Maximum bearing surface for longer bearing life
- Bi-directional pressure relief valve for clamp and sideshift circuits

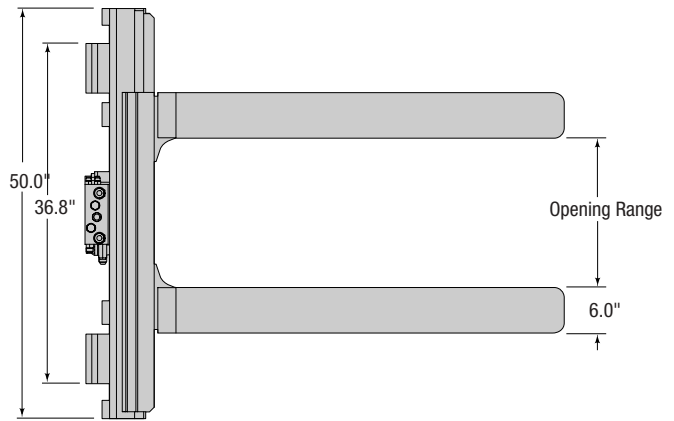
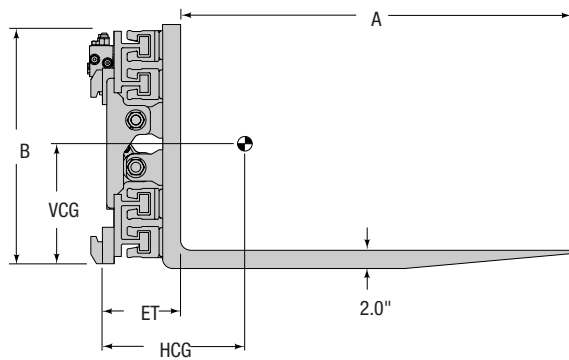
OPTIONS

- Independent arm control
- Special pressure relief configurations
- Quick-change lower hooks
- Non-standard frame widths and opening ranges
- Customized fork types and sizes
- Load backrests

*Provides
the fork
handling
versatility
you need.*



70F FORK CLAMP



Capacity @ 24" (600 mm) Load Center		Opening Range ITI	Catalog Order No.	Mtg. Class	Fork length A	Weight		Effective Thickness ET	Horizontal Ctr. of Gravity HCG	Vertical Ctr. of Gravity VCG	Overall Height B
lbs	kg					lbs	kg				
Non-Sideshifting											
7,000	3,180	16.7"-77.4"	70F-CFB-01B	III	42"	1,450	658	8.9"	7.8"	9.9"	28.5"
7,000	3,180	16.7"-77.4"	70F-CFB-01C	IV	42"	1,460	663	9.3"	7.8"	9.9"	32.9"
7,000	3,180	16.7"-77.4"	70F-CFB-02B	III	48"	1,490	677	8.9"	8.8"	9.6"	28.5"
7,000	3,180	16.7"-77.4"	70F-CFB-02C	IV	48"	1,500	681	9.3"	8.8"	9.6"	32.9"
7,000	3,180	16.7"-77.4"	70F-CFB-03B	III	54"	1,525	692	8.9"	9.9"	9.3"	28.5"
7,000	3,180	16.7"-77.4"	70F-CFB-03C	IV	54"	1,535	697	9.3"	9.9"	9.3"	32.9"
7,000	3,180	16.7"-77.4"	70F-CFB-04B	III	60"	1,565	711	8.9"	11.2"	9.0"	28.5"
7,000	3,180	16.7"-77.4"	70F-CFB-04C	IV	60"	1,575	715	9.3"	11.2"	9.0"	32.9"
Sideshifting											
7,000	3,180	16.7"-77.4"	70F-CFS-11B	III	42"	1,450	658	8.9"	7.8"	9.9"	28.5"
7,000	3,180	16.7"-77.4"	70F-CFS-11C	IV	42"	1,460	663	9.3"	7.8"	9.9"	32.9"
7,000	3,180	16.7"-77.4"	70F-CFS-12B	III	48"	1,490	677	8.9"	8.8"	9.6"	28.5"
7,000	3,180	16.7"-77.4"	70F-CFS-12C	IV	48"	1,500	681	9.3"	8.8"	9.6"	32.9"
7,000	3,180	16.7"-77.4"	70F-CFS-13B	III	54"	1,525	692	8.9"	9.9"	9.3"	28.5"
7,000	3,180	16.7"-77.4"	70F-CFS-13C	IV	54"	1,535	697	9.3"	9.9"	9.3"	32.9"
7,000	3,180	16.7"-77.4"	70F-CFS-14B	III	60"	1,565	711	8.9"	11.2"	9.0"	28.5"
7,000	3,180	16.7"-77.4"	70F-CFS-14C	IV	60"	1,575	715	9.3"	11.2"	9.0"	32.9"

INSTALLATION KIT

Model	Catalog Order No.
Non-Sideshifting	659245
Sideshifting	672442

HYDRAULIC FLOW

Minimum	Recommended	Maximum	Maximum Pressure
10 GPM	14 GPM	17 GPM	2,600 PSI

HYDRAULIC FUNCTIONS

Model	Hydraulic Functions	Truck Auxiliary Valves Required
Sideshifting	2	2
Non-Sideshifting	1	1