

Material Lifts

Load Lifter™

Specifications

Model	Load Lifter	
Measurements	US	Metric
A Height - stowed	3 ft 9 in	1.14 m
Height - platform maximum	5 ft 7 in	1.70 m
B Length - stowed	1 ft 3 in	.38 m
Length - operating	2 ft 4.75 in	.73 m
C Width - stowed	1 ft 8.5 in	.52 m

Productivity

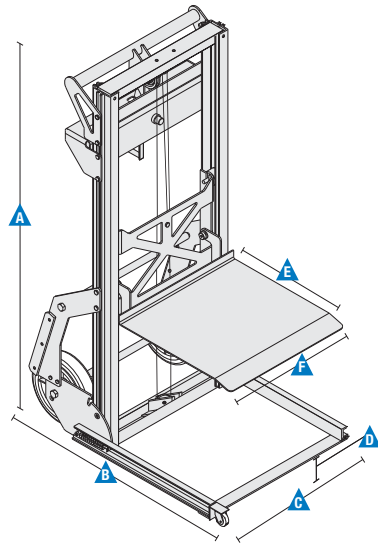
Load capacity	200 lbs	91 kg
D Load height minimum	2 in	.05 m
Ground clearance - center	.75 in	.02 m
Average cranks - standard winch	3 cranks/ft	3 cranks/.30 m
E Load platform length	1 ft 2 in	.36 m
F Load platform width	1 ft 4.75 in	.43 m

Power

Power source	reversible standard winch
--------------	---------------------------

Weight*

	65 lbs	29 kg
--	--------	-------



* Weight will vary depending on options and/or country standards.

Features

Standard Features

Measurements

- 5 ft 7 in (1.70 m) lifting height
- Up to 200 lbs (91 kg) load capacity

Productivity

- Portable and compact design
- Lightweight durable aluminum construction
- High strength aircraft quality cable
- Cushioned neoprene hand grip
- Beveled aluminum platform for easy loading and unloading
- Portable - folds for compact storage
- 8 in (20 cm) non-marking rear wheels
- Stair glides for easy handling on stairs
- Hold-down mechanism secures for transport

Power

- Standard quiet high-speed winch
- Reversible winch handle for easy storage

Options & Accessories

Productivity

- Pneumatic 8 in (20 cm) rear wheels for rough terrain
- 2 in (5 cm) non-marking front swivel casters
- Field-installable foot break

Fork

- Load platform

Power

- Standard winch

Base

- Standard base

Wheel / Caster Options

- 8 in (20 cm) non-marking rear wheels
- Pneumatic 8 in (20 cm) rear wheels for rough terrain
- 2 in (5 cm) non-marking front swivel casters



Genie United States

18340 NE 76th Street
P.O. Box 97030
Redmond, Washington 98073-9730
Telephone +1 (425) 881-1800
Toll Free in USA/Canada +1 (800)-536-1800
Fax +1 (425) 883-3475

Genie Europe

The Maltings
Wharf Road
Grantham NG31 6BH
UK
Telephone +44 (0)1476 584333
Fax +44 (0)1476 584334
Email: AWP-InfoEurope@terex.com

Distributed By:

Effective Date: February, 2012. Product specifications and prices are subject to change without notice or obligation. The photographs and/or drawings in this document are for illustrative purposes only. Refer to the appropriate Operator's Manual for instructions on the proper use of this equipment. Failure to follow the appropriate Operator's Manual when using our equipment or to otherwise act irresponsibly may result in serious injury or death. The only warranty applicable to our equipment is the standard written warranty applicable to the particular product and sale and we make no other warranty, express or implied. Products and services listed may be trademarks, service marks or trade names of Terex Corporation and/or their subsidiaries in the USA and many other countries. Genie is a registered trademark of Terex South Dakota, Inc. © 2012 Terex Corporation.